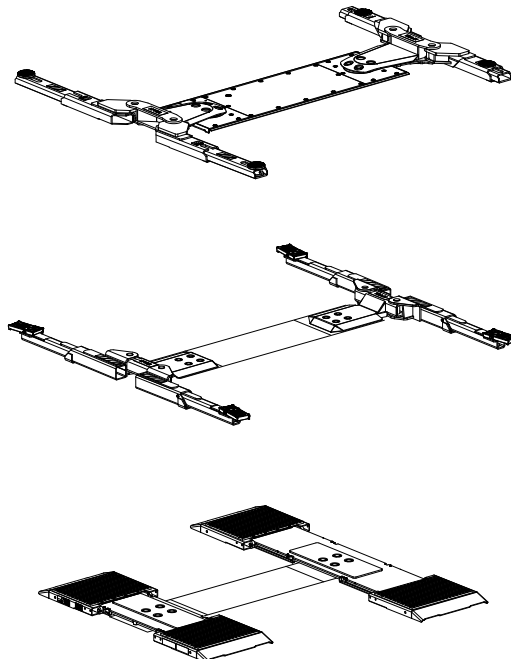




SL210/SL210i (800-1000 Series)

SL212/SL212i (800 -1100 Series)

SL210/SL210i Moveable Pad Capacity 8,000 lbs.
SL210/SL210i Capacity 10,000 lbs.
SL212/SL212i Capacity 12,000 lbs.



P
A
R
T
S

B
R
E
A
K
D
O
W
N

IMPORTANT: When ordering parts or requesting service always give exact model and power unit serial number. Model number is shown on nameplate attached to air lock release valve. Power unit serial number is located on side of power unit.

OWNERS RECORD
Complete information at right and keep in a safe place.

Date Installed _____

Installed in Bay # _____

Power Unit Serial # _____

Power Unit Model # _____

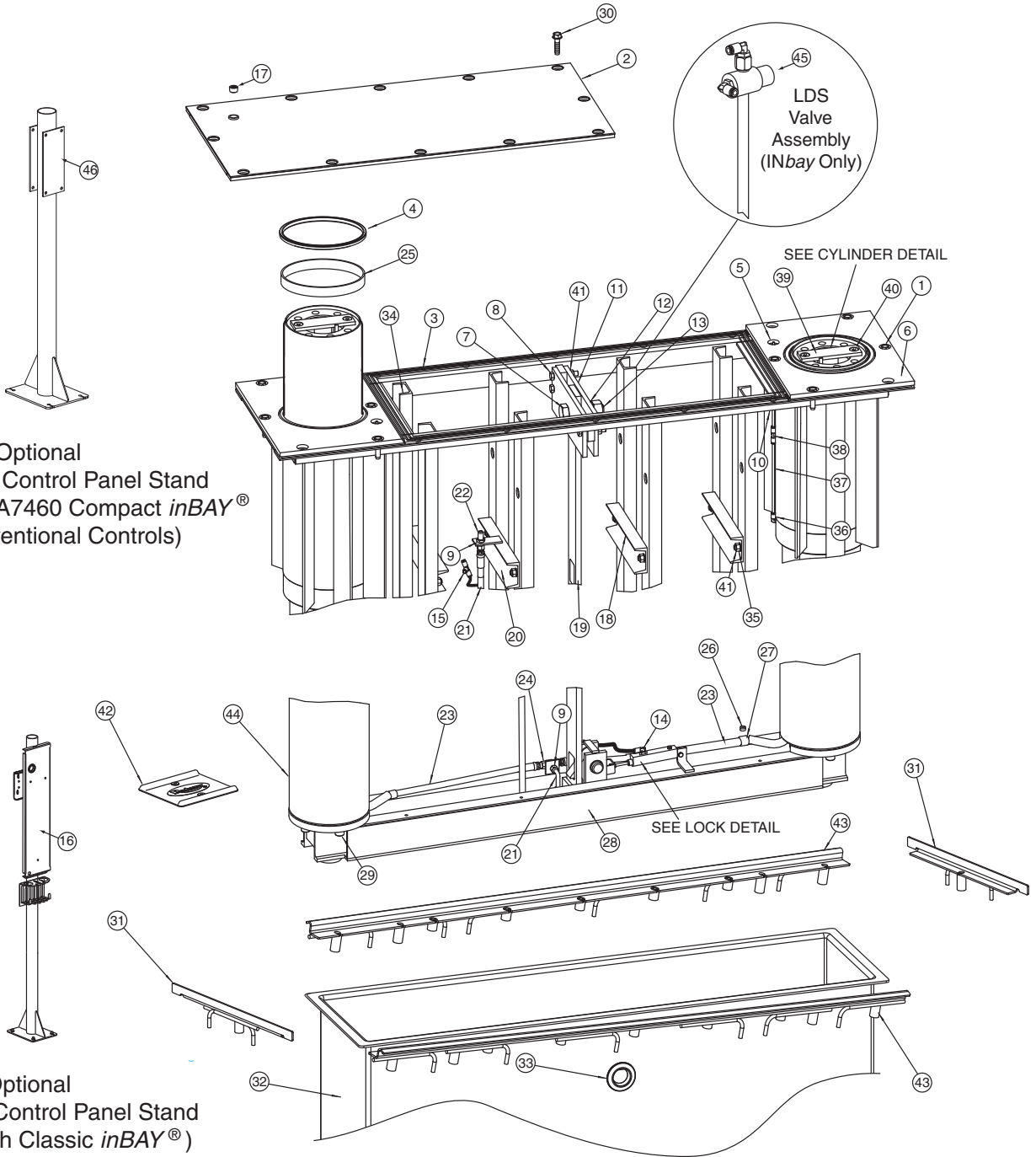
Lift Serial # _____

Lift Model # _____

NOTE: For replacement parts -See your nearest Rotary Parts Distributor.

PB5-12-5
Rev. AC 1.19.23

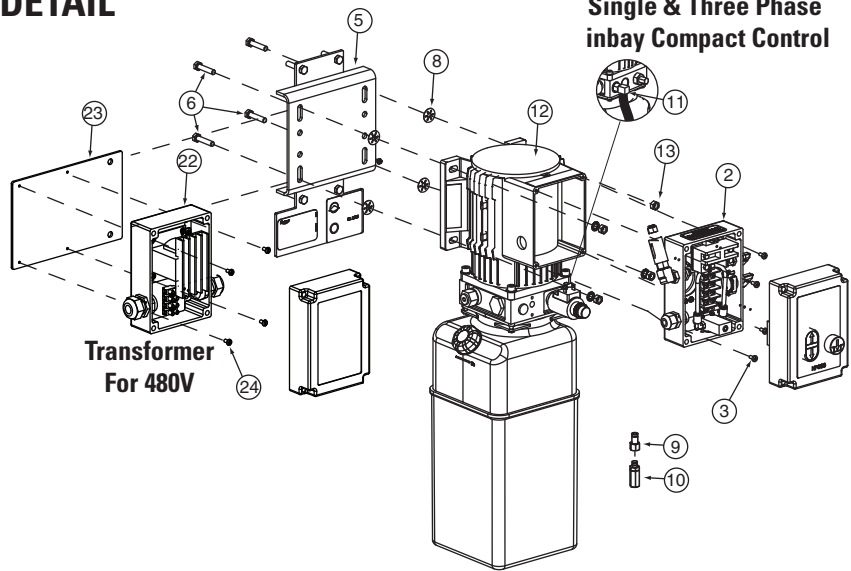
MAIN LIFT EXPLODED DETAIL



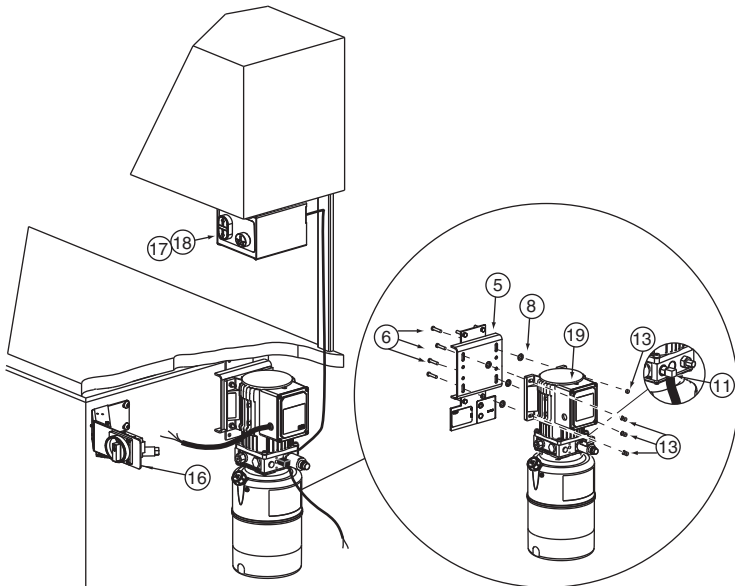
1	1/2"-13NC x 2" Self Tap Screw, Plated	40268
2	Cover Plate	T120209
3	One Piece Gasket	T140163
4	Wiper Seal	T140118
5	Zerk Fitting L#5000 1/8" Pipe	T140007
6	Guide Barrel Assembly	T110175
7	1-1/8"-7NC x 3" HHCS, Gr. 5, Plated	40606
8	1/2"-13NC x 2-3/4" HHCS, Gr. 5	40341
9	9/16" Internal Tooth Lockwasher, Plated	40998
10	Male Connector for Nylon Tube	FC5225-47
11	Latch Bar Plate	T130342
12	1-1/8" Int. Tooth Lockwasher, Plated	40608
13	1-1/8"-7NC Hex Nut, Plated	40607
14	1/4" NPT x 1/4" Push Fit Swivel Elbow	FC5341-90
15	Union Tee inBAY® Controls	FC5225-46
	Union Tee Conventional Controls	FC5225-98
16	Stand Assembly	T110165
17	1 CSK Pipe Plug	12011
18	Tie Channel	T130345
19	Latch Bar	T130341
20	Hose Bracket Assembly	T120158
21	Vertical Hose	T140170
22	Vertical Hose Assembly	T140267
23	Plunger Hose	T140269
24	SS Bulkhead Union Tee	T140134
25	Bearing	T140148
26	5/16"-18NC Flanged Whizlock Nut	40678
27	Hose Clip	T140262
28	Equalizer	T110176
29	5/8" Helical Spring Lockwasher, Plated	40961
	5/8"-11NC x 2-1/2" Hex SHCS	40343
30	1/2"-13NC x 1-1/2" HHCS Grade 5	40302
31	End Anchoring Frame	T120285
32	Containment (with Uniseal hole drilled)	T140202
33	2" Uniseal	T140023
34	Frame	T120266
35	1/2"-13NC x 1" HHCS, Gr. 5	40261

36	Guide Barrel Fitting Kit	T100147
37	1/4" Nylon Tube (26" long)	T140213
38	Union Tee	FC5225-46
39	Lift Bar Weldment	T120214
40	1/2"-13NC x 1-1/4" Countersunk SHCS	40337
41	1/2"-13NC Hex Flanged Whizlock Nut	40704
42	Wheel Spotting Dish Kit	FF729
43	Side Anchoring Frame	T120286
44	Plunger	T120161
45	LDS Valve Assembly Replacement Kit	T100142
46	Stand Assembly Compact inbay and Conventional	T120280

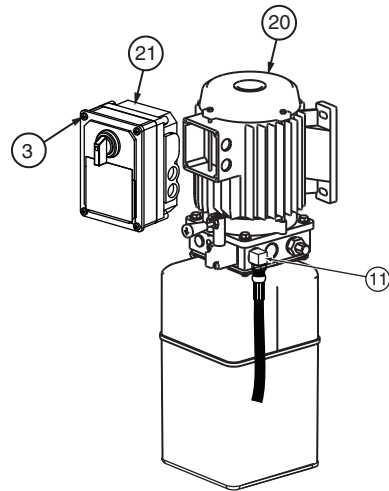
POWER UNIT DETAIL



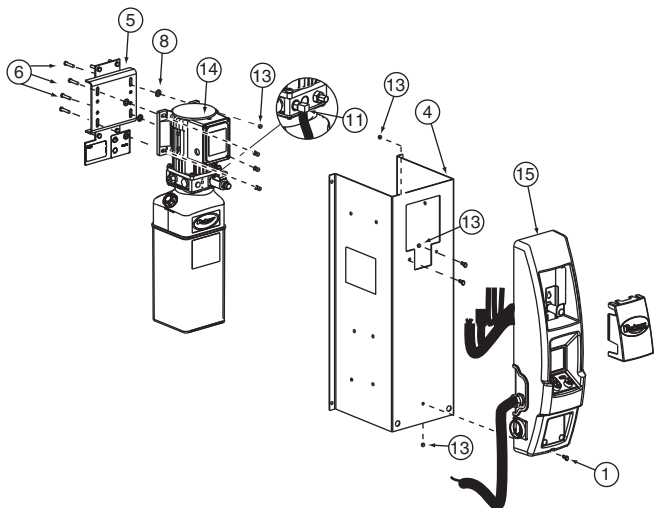
460-575V inbay Workbench Control



Conventional Control



460-575V Three Phase inbay Control



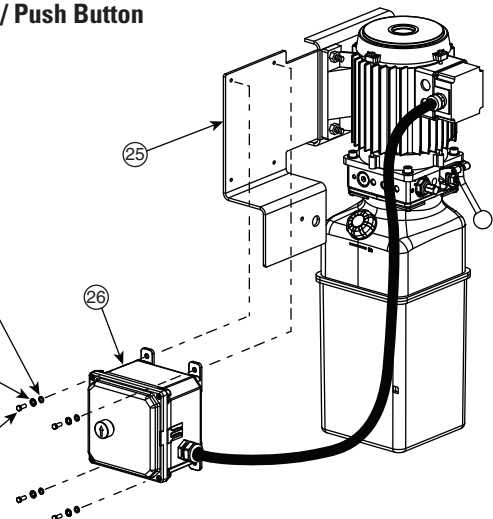
3Ø Controls w/ Push Button

NP280

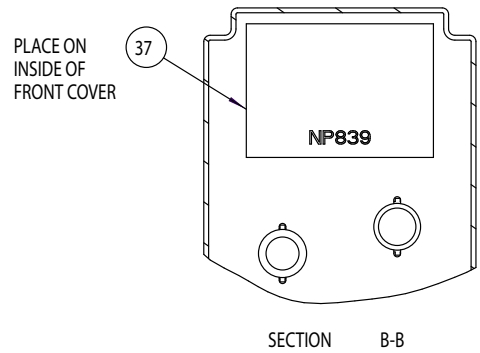
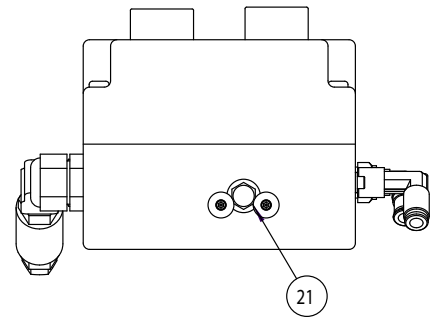
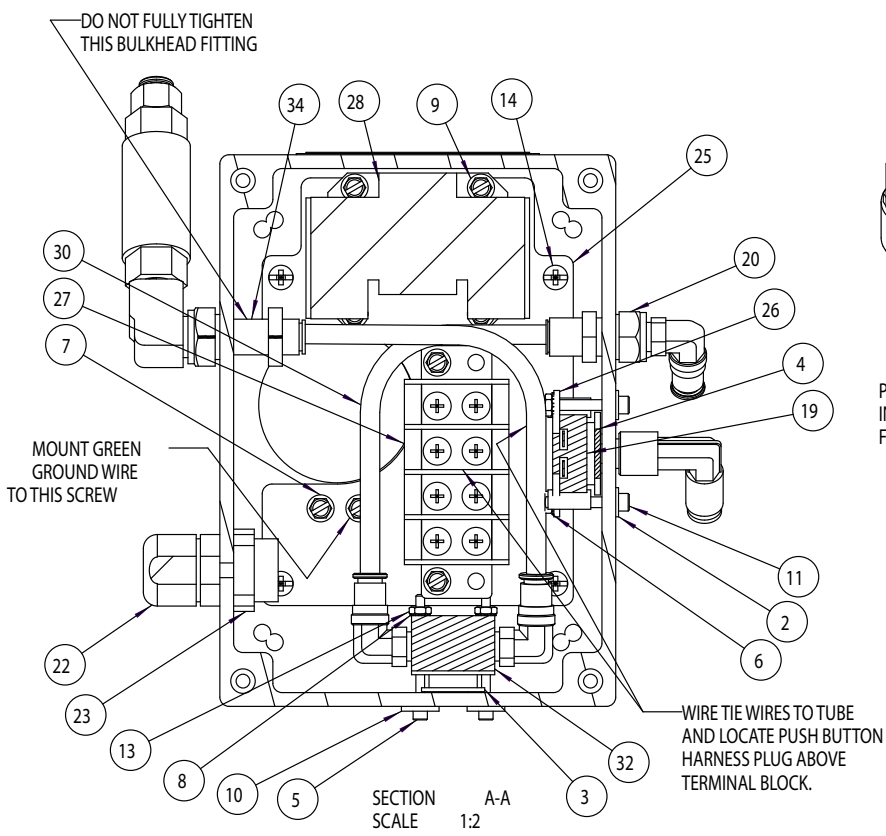
ACTUATE TO
RELEASE
LATCHES

NP280 Rev C

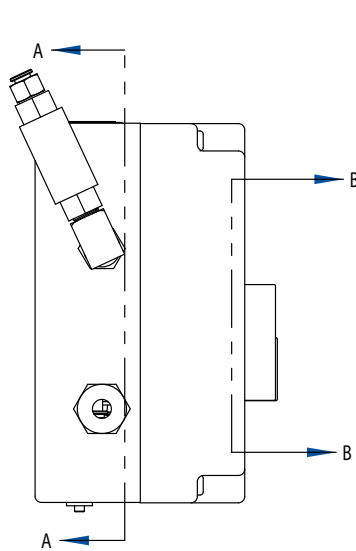
- 40780 1/4" Flat Washer
- 40779 1/4" Star Washer
- 40062 1/4"-20NC x 1/2" HHCS



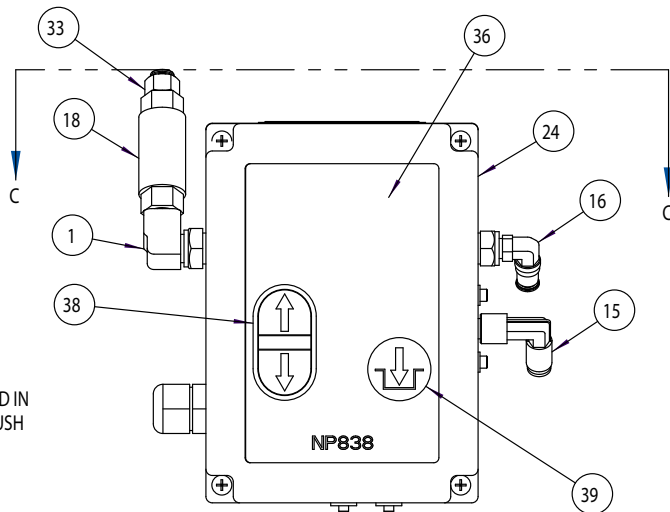
1	5/16" -18NC x 3/4" HHCS	40224
2	Master Control Panel (Compact) 1Ø	FA7460
	Master Control Panel (Compact) 3Ø	FA7480
	Master Control Panel (Compact) 3Ø 480V	FA7486
3	M5x10 PHMS, Plated	40275
4	Power Unit Cover	T130309
5	Power Unit Wall Bracket	T120020
6	5/16" -18NC x 1-1/2" Flanged HHCS Zinc Plated	40509
7	NA	NA
8	5/16" Push Nut	FC5209
9	1/4" Push-In 1/4" NPT Female Fitting	T140081
10	Filter	FA3134-12
11	Elbow	FJ7224
12	SL210i Power Unit (Compact - Standard) 1Ø	P3512
	SL210i Power Unit (Compact - Moveable Pad) 1Ø	P3513
	SL212i Power Unit (Compact) 1Ø	P3514
13	5/16" -18NC Flanged Hex Nut	40678
14	SL210i Power Unit (Compact - Standard) 3Ø	P3465
	SL210i Power Unit (Classic - Standard) 3Ø (575V)	P3466
	SL210i Power Unit (Compact - Moveable Pad) 3Ø	P3467
	SL210i Power Unit (Classic - Moveable Pad) 3Ø (575V)	P3468
	SL212i Power Unit (Compact) 3Ø	P3478
	SL212i Power Unit (Classic) 3Ø (575V)	P3479
15	Master Control Panel (Classic) 3Ø (460V)	FA7411
	Master Control Panel (Classic) 3Ø (575V)	FA7416
16	Work Bench Control Bracket Assembly 3Ø (460)	FA7442-1
	Work Bench Control Bracket Assembly 3Ø (575V)	FA7443-1
17	#10-24NC x 1/4" Lg. BHCS	40865
18	Work Bench Push Button Control Box 3Ø 460V-575V	FA7442-2
19	SL210i Power Unit (Work Bench - Standard) 3Ø (460)	P3496
	SL210i Power Unit (Work Bench - Standard) 3Ø (575V)	P3498
	SL212i Power Unit (Work Bench) 3Ø (460V)	P3497
	SL212i Power Unit (Work Bench) 3Ø (575V)	P3499
20	SL210 Power Unit (Conventional - Standard)1Ø	P3350
	SL210 Power Unit (Conventional - Standard) 3Ø	P3346
	SL210 Power Unit (Conventional - Standard) 3Ø (575V)	P3354
	SL210 Power Unit (Conventional - Moveable Pad) 1Ø	P3352
	SL210 Power Unit (Conventional - Moveable Pad) 3Ø	P3353
	SL210 Power Unit (Conventional - Moveable Pad) 3Ø (575V)	P3356
	SL212 Power Unit (Conventional) 1Ø	P33002
	SL212 Power Unit (Conventional) 3Ø	P3347
	SL212 Power Unit (Conventional)3Ø (575V)	P3359
21	Capacitor Box (with Drum Switch) 3Ø	FA7366
22	SL 3Ø (480V) inbay Transformer Box Assembly	FA7487
23	Transformer Box Mounting Bracket	FA7487-6
24	#10 x 3/8" SL HHTS Plated	40033
25	3Ø Control Box Mounting Bracket	FA9155-1
26	3Ø Control Box Assembly	FA9147



NOTE: HARNESSES NOT SHOWN.
USE WIRING DIAGRAM, NP839.



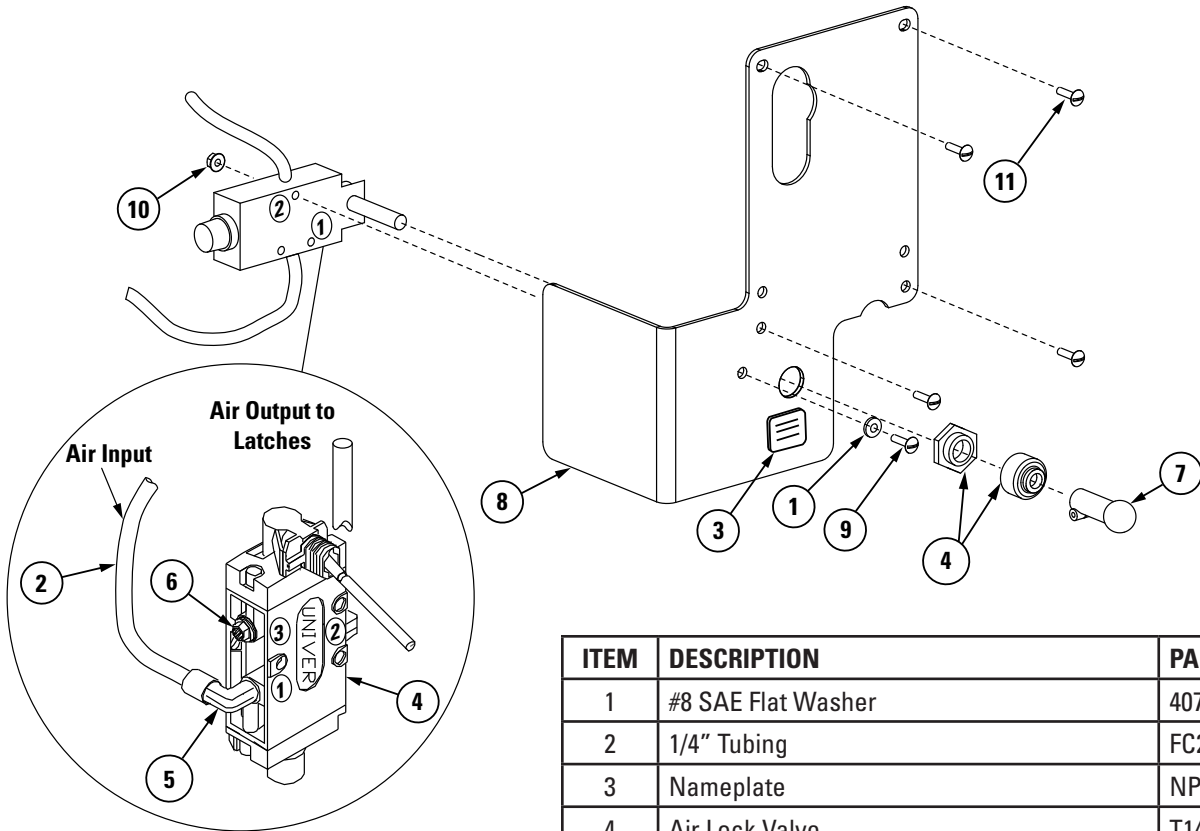
LAMP
INSERTED IN
DUAL PUSH
BUTTON



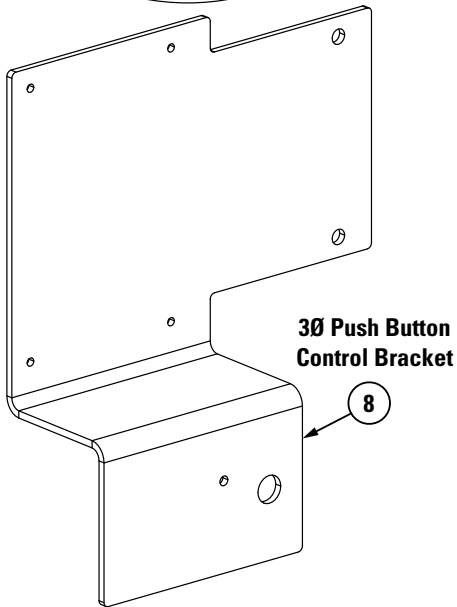
ITEM	QTY	PART NO.	DESCRIPTION
1	1	16016	90 ° ELBOW; McMASTER-CARR #50785K43 or Eq.
2	2	40772	#6 SAE FLAT WASHER
3	1	40805	3/8" SAE FLAT WASHER
4	1	40920	1/2" SAE FLAT WASHER
5	2	41421	#4-40NC x 1-1/2" Lg. HEX SHCS
6	2	41435	#6 EXT TOOTH LW, PLTD
7	2	41459	#8-32 x 1/4" Lg. HEX WHMS, PLTD, COLORED GREEN
8	2	41466	#4 EXT TOOTH LW, PLTD
9	4	41470	#8-32 x 1/4" Lg. HEX WHSFTS, PLTD
10	2	41474	#4 SAE FLAT WASHER
11	2	41475	#6-32NC x 1" Lg. HEX SHCS
12	2	41476	#8-32 x 5/8" Lg. HEX WHSFTS, PLTD
13	4	41547	#4-40 NUT
14	4	**41614	M4x.7x10mm Lg. PHIL PHMS, Pltd.
15	1	FA2444-23	FEMALE SWIVEL ELBOW
16	3	FA3134-6	MALE ELBOW CONNECTOR
17	1	FA7180-57	WIRE TIE
18	1	FA7184-11	IN-LINE REGULATOR - 1/4" NPT
19	1	FA7186-15	PRESSURE SWITCH
20	1	FA7189-4	FEMALE BULKHEAD UNION
21	1	FA7189-5	1/8" NPT BRASS FILTER
22	1	FA7189-8	1/2" NPT STRAIN RELIEF
23	1	FA7189-10	1/2" NPT LOCKNUT
24	1	FA7460-1	SL 1PH COMPACT CONTROL ENCLOSURE
25	1	FA7460-2	SL 1PH COMPACT CONTROL BACK PLATE
26	1	FA7460-3	LDS PRESSURE SWITCH BRACKET
27	1	FA7460-4	4 POLE TERMINAL BLOCK
28	1	FA7460-5	CONTACTOR
29	1	FA7460-6	SL 1PH COMPACT CONTROL MASTER HARNESS (H34)
30	2	FA7460-8	1/4" DIA. TUBING X 6-3/4" LONG
31	1	FA7460-14	SL 1PH BUTTON HARNESS (H35)
32	1	FA7484-4	LATCH AIR VALVE
33	1	FC5191-6	1/4" TUBE TO 1/4" NPT PUSH CONNECTOR
34	1	FC5341-86	CONNECTOR
35	1	NP524	DO NOT REMOVE COVER LABEL
36	1	NP838	SL COMPACT CONTROL BUTTON NAMEPLATE
37	1	NP839	SL COMPACT CONTROL WIRING DIAGRAM LABEL
38	1	Z150047	DUAL PUSH BUTTON
39	1	Z150048	ILLUMINATED SINGLE PUSH BUTTON

** USE SCREWS INCLUDED WITH THE ENCLOSURE

CONVENTIONAL CONTROLS AIR LOWERING VALVE DETAIL

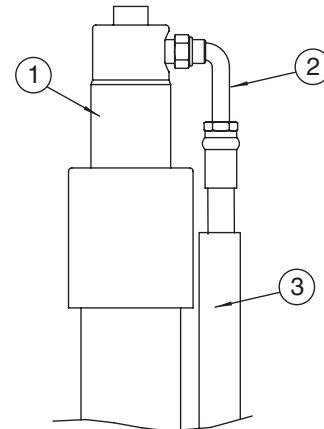


ITEM	DESCRIPTION	PART
1	#8 SAE Flat Washer	40788
2	1/4" Tubing	FC2230-2
3	Nameplate	NP280
4	Air Lock Valve	T140073
5	Swivel Elbow	T140074
6	Filter/Muffler	T140075
7	Air Lock Handle	T140119
8	Control Bracket 1Ø	S110274
	Control Bracket 3Ø	S110286
	Push Button Control Bracket 3Ø	FA9155-1
9	#8-32NC x 1-1/2" PHMS	40007
10	#8-32NC Nylon Locknut	40649
11	M5 x 15 PHMS 1Ø	40277
	M5 x 50 PHMS Plated 3Ø	41696
12	Capacitor Box (with Drum Switch) 3Ø	FA7366
13	M5 x 10 PHMS	40275



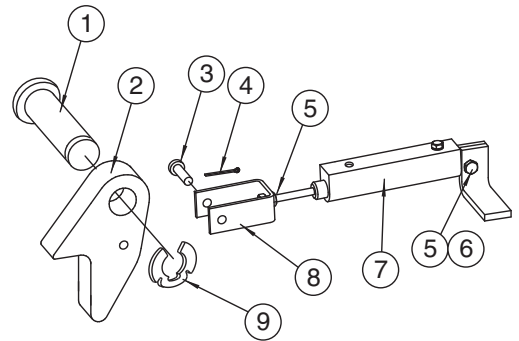
CYLINDER DETAIL

ITEM	DESCRIPTION	PART
1	Hydraulic Cylinder	N367
2	Plunger Hose	T140269
3	Hose Support Tube	T140166



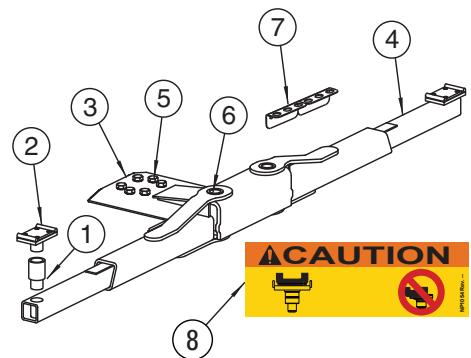
LOCK DETAIL

ITEM	DESCRIPTION	PART
1	Latch Shaft Weldment	T120318
2	Locking Latch	T130348
3	Latch Clevis Pin, Plated	T140135
4	3/32" x 3/4" Lg. Cotter Pin	41168
5	1/4"-28NF Nylon Insert Locknut, Plated	40611
6	1/4"-28NF x 1-1/4" HHCS, Grade 2	40414
7	Air Cylinder	T140062
8	Clevis	T130349
9	Retaining Ring TRUARC #5304-125	41417



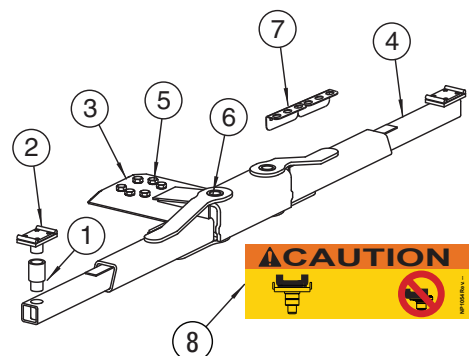
SL212 ARM DETAIL 800 SERIES

ITEM	DESCRIPTION	PART
1	4" Extension	FJ6143
	8" Extension	FJ6144
2	Adapter Assembly	FJ6158
3	Yoke Weldment	T120152
4	Swing Arm	T110116
5	7/8"-9NC x 3-1/2" HHCS, Grd 5, Plated	40498
	7/8" External Tooth Lockwasher, Plated	41072
6	Arm Pin	T120153
	3/16" x 3" Cotter Pin	41253
7	Extension Rack	FJ6145
8	Arm Decal	NP1054



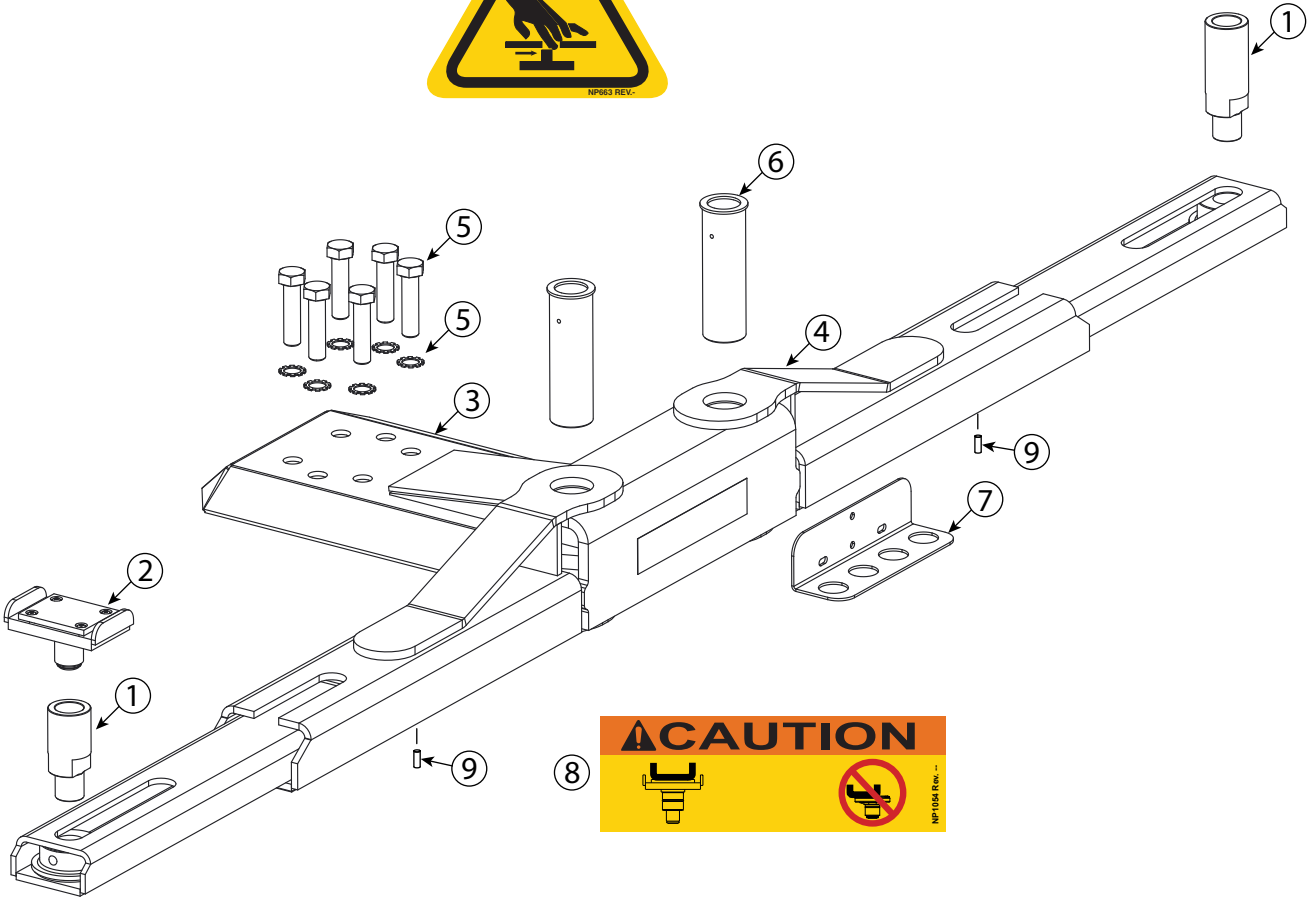
SL212 ARM DETAIL 1000 SERIES

ITEM	DESCRIPTION	PART
1	3-1/2" Extension	FJ6171-1
	5" Extension	FJ6171-2
2	Adapter Assembly	FJ6214
3	Yoke Weldment	T120152
4	Swing Arm	T110528
5	7/8"-9NC x 3-1/2" HHCS, Grd 5, Plated	40498
	7/8" External Tooth Lockwasher, Plated	41072
6	Arm Pin	T120153
	3/16" x 3" Cotter Pin	41253
7	Extension Rack	FJ6127
8	Arm Decal	NP1054



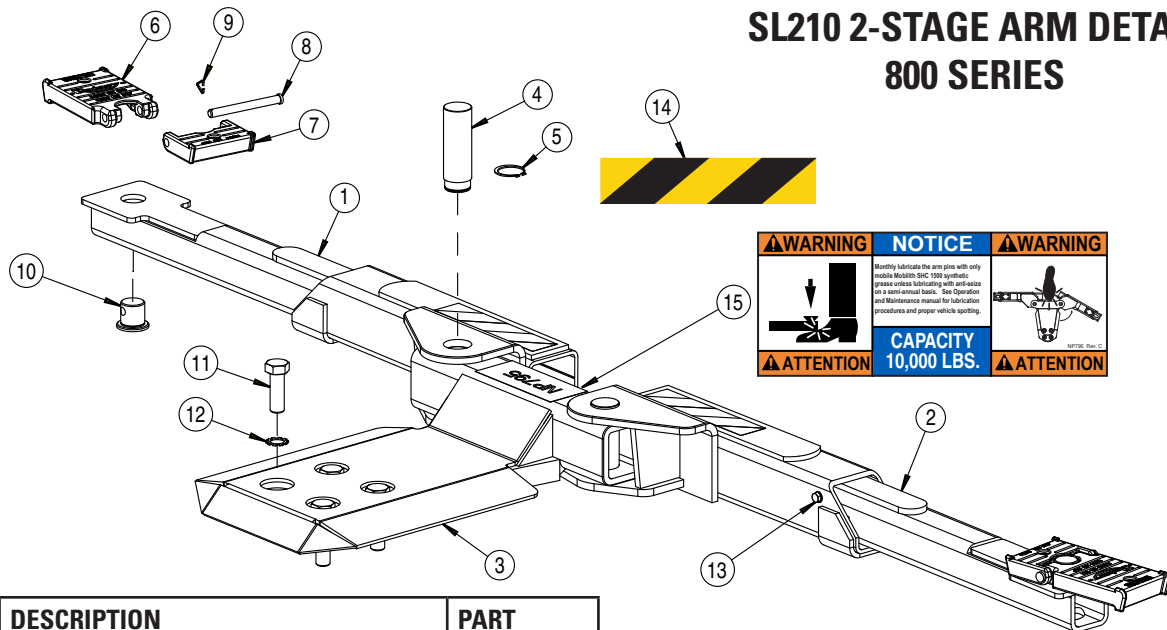
SL212 TRIO ARM DETAIL 1100 SERIES

NP663



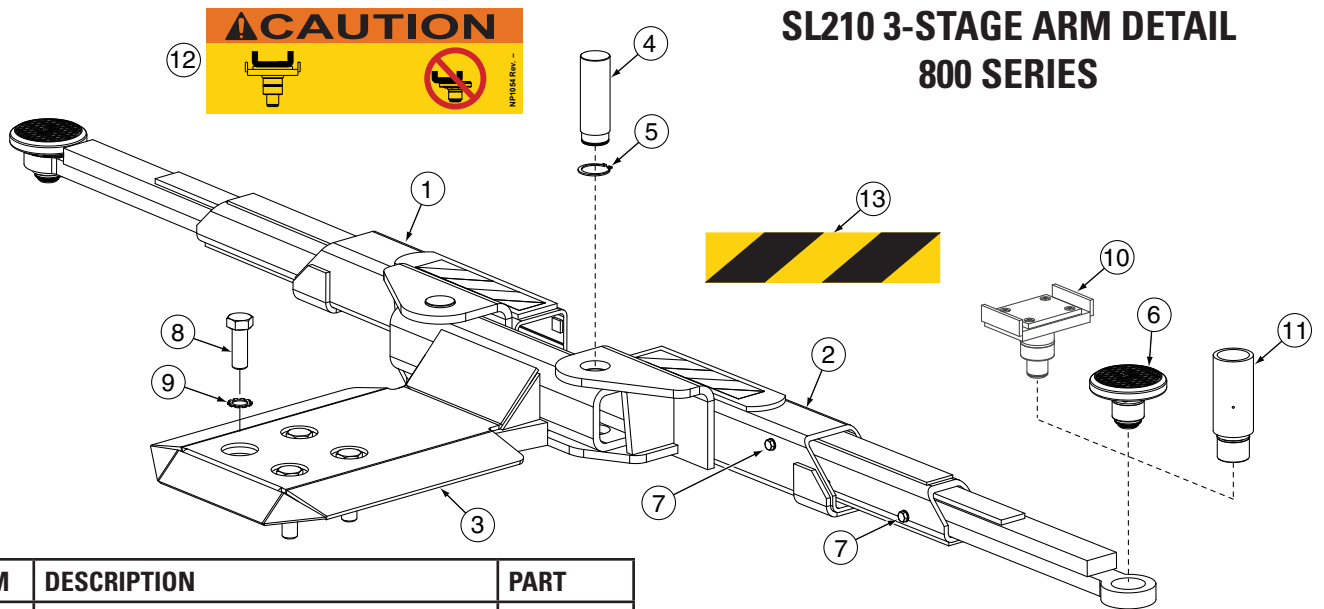
ITEM	DESCRIPTION	PART
1	3-1/2" Extension	T130660
	5" Extension	T130661
2	Adapter Assembly	T110564
3	Yoke Weldment	T120152
4	Swing Arm	T110633
5	7/8" -9NC x 3-1/2" HHCS, Grd 5, Plated	40498
	7/8" External Tooth Lockwasher, Plated	41072
6	Arm Pin	T120153
	3/16" x 3" Cotter Pin	41253
7	Extension Rack	T130683
8	Arm Decal	NP1054
9	3/8" -16NC X 3/4" Set Screw**	40319
	1/2" -13NC X 3/4" Set Screw**	41746
	** Set Screw Part Number Determined By Specific Version	

SL210 2-STAGE ARM DETAIL 800 SERIES



ITEM	DESCRIPTION	PART
1	R. H. 2-Stage Arm	T110318
2	L. H. 2-Stage Arm	T110317
3	Yoke	T110312
4	Arm Pin	T130451
5	Arm Pin Retaining Ring	T140168
6	High Step Adapter	FJ6177
7	Low Step Adapter	FJ6178
8	Adapter Pin	FJ6179

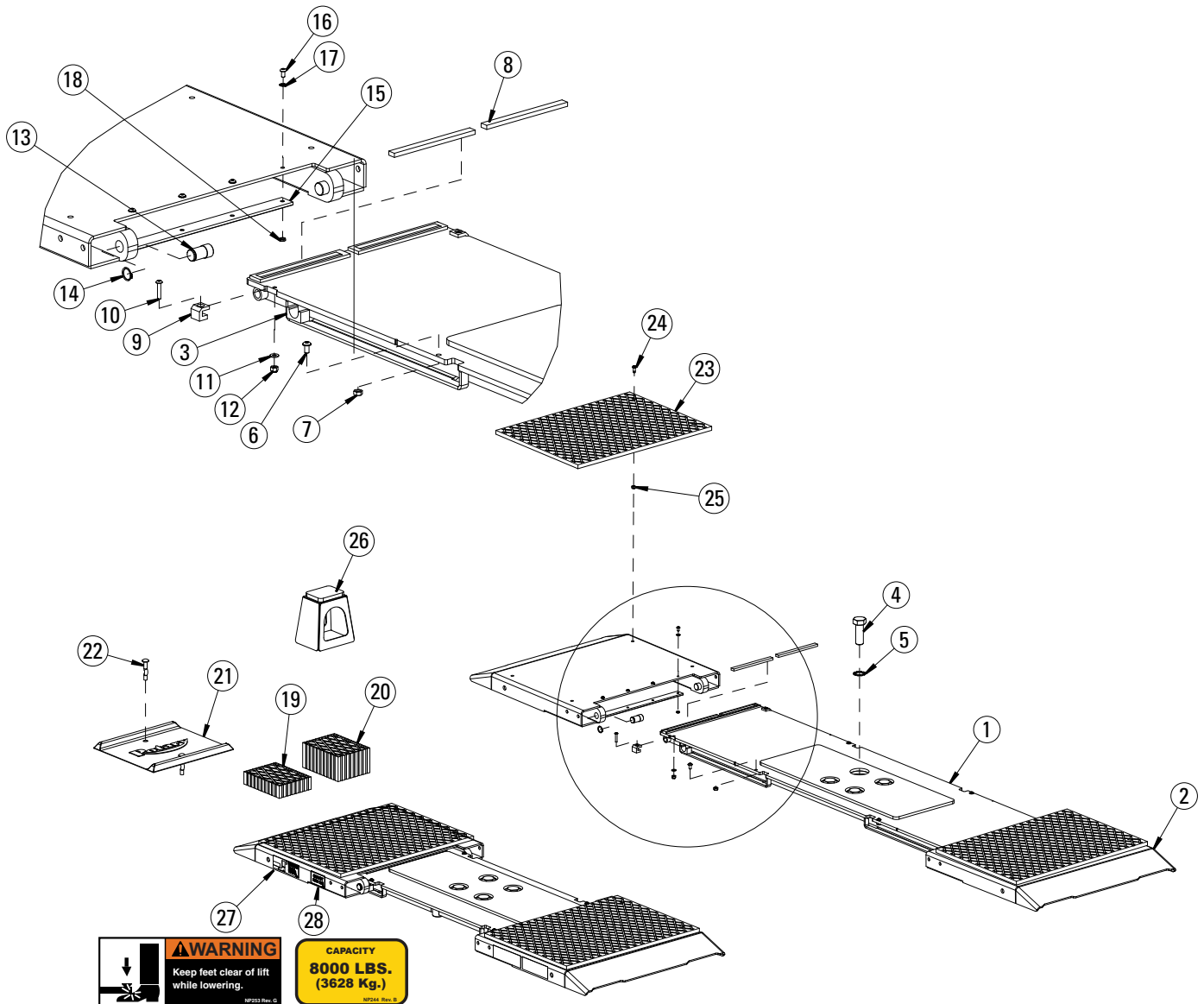
9	3/32" Hog Ring For 1/2" Shaft	FJ671-6
10	Adapter Swivel Pin	FJ79-6
11	7/8"-9NC x 2-1/2" HHCS, Grade 5	40489
12	7/8" External Tooth Lock Washer	41072
13	3/8"-16NC x 5/8" HHCS, Grade 8	40155
	3/8" Internal Tooth Lock Washer	40843
14	Nameplate	N220-3
15	Nameplate	NP795



ITEM	DESCRIPTION	PART
1	R. H. 3-Stage Arm	T110320
2	L. H. 3-Stage Arm	T110319
3	Yoke (without Stop Bar)	T110312
4	Arm Pin	T130451
5	Arm Pin Retaining Ring	T140168
6	3-Stage Adapter Assembly (Low Profile)	FJ6202
7	3/8"-16NC x 5/8" HHCS, Gr. 8, Plated	40155
	3/8" Internal Tooth Lockwasher	40843

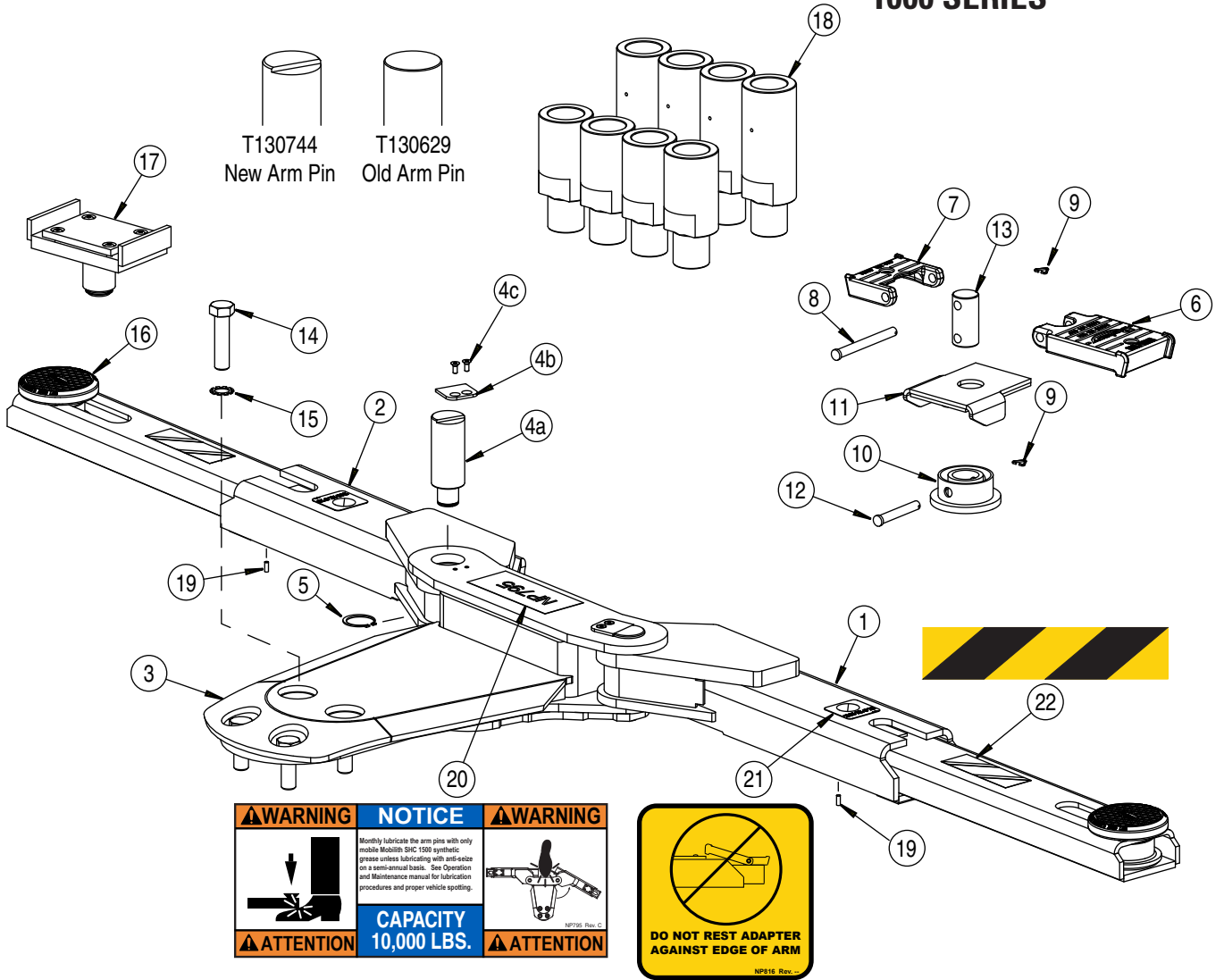
8	7/8"-9NC x 2-1/2" HHCS, Gr. 5, Plated	40489
9	7/8" External Tooth Lockwasher, Plated	41072
10	Truck Adapter (Optional, Sold Separately)	FJ6214
11	Extension Adapter Kit (Optional, Sold Separately)	FJ7880
12	Nameplate	NP1054
13	Nameplate	N220-3

SL210 MOVEABLE PAD DETAIL



ITEM	DESCRIPTION	PART	ITEM	DESCRIPTION	PART
1	Carrier Assembly	T110468	16	#10-32NC x 3/8" Stainless Steel BHCS	T140238
2	Slide Assembly	T110467	17	#10 Stainless Steel Flat Washer	T140244
3	Slider Block	T140231	18	#10-32NF Stainless Steel Small Pattern Hex Nut	T140234
4	7/8" -9NC x 2-1/2"	40489	19	1-1/2" Spacer Block	FJ2427
5	7/8" Ext. Tooth Lock Washer	41072	20	3" Spacer Block	FJ2428
6	1/4" -20 x 1/2" Lg. Zinc Plated BHCS	40094	21	Spotting Dish	FF729-1
7	1/4" -20 Zinc Plated Hex Nut	40625	22	Spotting Dish Anchor	FJ7659-2
8	Carrier Rubber Pad	T140241	23	1/2" Rubber Pad	FJ2480
9	Carrier Wear Strip	T140233		1/2" Rubber Pad Kit (4 Pads & Mounting Hdw)	FJ2487
10	#10-24NC x 1" Lg. Zinc Plated BHCS	40871	24	M6 x 1.0 x 16mm PHMS Stainless	41690
11	#10 SAE Zinc Plated Flat Washer	40785	25	M6 Nylon Insert Lock Nut	41556
12	#10-24NC Zinc Plated Nylon Lock Washer	40811	26	7" Adapter (Optional)	FJ6205
13	Reaction Pin	T130588		7" Adapter Kit -4 Adapters (Optional)	FJ6211
14	Zinc Plated Reaction Pin Retaining Ring	T140235	27	Nameplate	NP253
15	Slide Wear Strip	T140232	28	Nameplate	NP244

SL210 TRIO ARM DETAIL 1000 SERIES



⚠ WARNING	NOTICE	⚠ WARNING
	Monthly lubricate the arm pins with only mobile Mobilink SHC 1500 synthetic grease unless lubricating with anti-seize on a semi-annual basis. See Operation and Maintenance manual for lubrication procedures and proper vehicle spotting.	
⚠ ATTENTION	CAPACITY 10,000 LBS.	⚠ ATTENTION

DO NOT REST ADAPTER AGAINST EDGE OF ARM

NP816 Rev. C

ITEM	DESCRIPTION	PART
1	R. H. Arm	T110586
2	L. H. Arm	T110585
3	Yoke	T110538
4a	Arm Pin	T130744
4b	Anti-Rotation Bracket	T130743
4c	SI210 Arm Pin Bolt Kit	T140277 BOLTS
5	Arm Pin Retaining Ring	T140248
6	High Step Adapter	FJ6177
7	Low Step Adapter	FJ6178
8	Adapter Pin	FJ6179
9	3/32" Hog Ring For 1/2" Shaft	FJ671-6
10	Adapter Insert	T120309
11	Load Plate Weldment	FJ6233
12	Adapter Insert Pin	T130669
13	Swivel Pin	T130668

14	7/8"-9NC x 2-1/2" HHCS, Gr. 5, Plated	40489
15	7/8" External Tooth Lockwasher, Plated	41072
16	Low Profile Round RA Adapter	FJ6219
17	Truck Adapter	T110564
18	Extension Adapter Kit (Sold Separately)	T100271
19	3/8"-16NC X 3/4" Set Screw**	40319
	1/2"-13NC X 3/4" Set Screw**	41746
** Set Screw Part Number Determined By Specific Version		
20	Nameplate	NP795
21	Nameplate	NP816
22	Nameplate	N220-3
ARM PIN KITS		
*Prior to Feb 2021, customers should order T140249KIT After Feb 2021, customers should order T140277KIT		

NOTES:

NOTES:

NP370

NP 865 ALI/WLSIA01

NP588

SAFETY WARNING LABELS FOR INGROUND LIFTS

Lift Owner/User Responsibilities:

A. This Safety Warning placard SHALL be displayed in a conspicuous location in the lift area.
 B. Use one of the mounting arrangements illustrated on back of this placard.
 C. These Safety Warning labels supplement other documents supplied with the lift.
 D. Be certain all lift operators read and understand these labels, operating instructions and other safety related information supplied with the lift.

NOTICE

If attachments, accessories, or configuration modifying components used on this lift are located in the load path and affect operation of the lift, affect the lift electrical listing, or affect intended vehicle accommodation; and if they are not certified for use on this lift, then the certification of this lift shall become null and void. Contact the participant for information pertaining to certified attachments, accessories, or configuration modifying components.

www.autolift.org ©2011 by ALI, Inc. ALI / WLSIA01

IMPORTANT

Allow 2 seconds between motor starts. Failure to comply may cause motor burnout.
 Attendez deux secondes entre les démarrages de moteur. Omettre cette étape peut causer la grillage du moteur.

CAUTION ATTENTION

To prevent electrical shock, Do Not remove cover. Refer servicing to qualified service personnel.
 Pour éviter tout choc électrique, ne pas retirer le couvercle. Confiez l'entretien à un personnel qualifié.

WARNING ADVERTISSEMENT

Risk of Explosion, DO NOT expose to flammable vapors.
 Risque d'explosion, n'exposez pas à des vapeurs inflammables. Moteur doit être situé à au moins 460 mm (18 pouces) au-dessus du sol.

Motor duty cycle is one full lifting operation within a 10 minute period.
 Example: 45 seconds rise time, 9 minutes 15 seconds rest.
 Cycle opératoire du moteur est un plein fonctionnement de levage dans un intervalle de 10 minutes. Exemple : 45 secondes, 9 minutes de temps de montée 15 secondes de repos.

NPS88 Rev G

TYPICAL PLACARD LOCATIONS

NP574

SAFETY INSTRUCTIONS
 Read and heed all WARNING, CAUTION and SAFETY INSTRUCTION labels on lift.

OPERATING INSTRUCTIONS
 Only Authorized Personnel Are to Operate Lift. Before operating lift, read Operation & Maintenance Manual and Safety documents supplied with lift.

CONVENTIONAL LIFT CONTROLS

Inbay LIFT CONTROLS

- BEFORE LOADING:**
 - Inspect lift to assure it is in good operation condition. See Operation & Maintenance Manual for details.
- LOADING:**
 - Always Lift vehicle with all four adapters.
 - Spot vehicle with left front wheel in proper spotting dish position, Fig. 1.
 - Swing arms under vehicle and position adapters at vehicle manufacturer's recommended lift points, Fig. 2.

WARNING Before attempting to lift pickup trucks or other truck frame vehicles, be sure that:

- Vehicle individual axle weight does not exceed 1/2 lift capacity.
- Adapters are in secure contact with vehicle manufacturer's recommended lift points.
- Vehicle is stable on lift; neither front nor tail heavy.

- TO RAISE LIFT:**
 - Actuate RAISE SWITCH/RAISE button.
 - Raise vehicle until tires clear floor.
 - STOP: Check adapters for secure contact with vehicle. Shake car moderately at front or rear bumper.
 - Continue to raise to desired height ONLY if vehicle is secure on lift. If necessary, lower lift and reposition using vehicle manufacturer's recommended pick-up points.

FOR CONVENTIONAL LIFTS:

- Actuate LOWERING VALVE HANDLE to lower lift onto locking latches.

FOR INBAY LIFTS:

- Push the LOWER TO LOCKS button to lower lift onto locking latches.
- Motor duty cycle is one full lifting operation within a 10 minute period. Example: 45 seconds rise time, 9 minutes 15 second rest.

- BEFORE LOWERING LIFT:**
 - Remove all obstacles from under vehicle and lift.
 - Assure personnel are not in lift area.
- TO LOWER LIFT:**
 - Remain clear of lift.
 - Actuate RAISE SWITCH/RAISE button to raise lift off latches.

FOR CONVENTIONAL LIFTS (while keeping feet clear):

- Actuate SAFETY LATCH AIR RELEASE handle fully and hold.
- Actuate LOWERING VALVE HANDLE to lower.

FOR INBAY LIFTS (while keeping feet clear):

- Push the LOWER button to lower lift.

FIG. 1 Typical Wheel Spotting Positions

Front Wheel Drive Vehicles

- Less than 114" (2.9m) wheelbase
- Larger than 114" (2.9m) wheelbase

Rear Wheel and 4 Wheel Drive Vehicles

- Less than 108" (2.7m) wheelbase
- 108"-127" (2.7m-3.2m) wheelbase
- Larger than 127" (3.2m) wheelbase

Typical Lift Points

Fig. 2

NOTE: Some vehicles may have the manufacturer's Service Garage Lift Point locations identified by triangle shape marks on it's undercarriage (reference ANSI/SAE J2184-1992). If the specific vehicle lift points are not identified, refer to the vehicle manufacturer's service manual or the "Typical Lifting Points" illustrated herein. ALWAYS follow the operating instructions supplied with the lift.

Rotary Lift Madison, IN 47250 (800)445-5438 © October 2014 by Vehicle Service Group. All rights reserved. NP574 C08467.8 Rev. E 10/22/2014

Rotary World Headquarters

2700 Lanier Drive
 Madison, IN 47250, USA
 www.rotarylif.com

North America Contact Information

Tech. Support:
 p 800.445.5438
 f 800.578.5438
 e userlink@rotarylif.com

Sales:
 p 800.640.5438
 f 800.578.5438
 e userlink@rotarylif.com

World Wide Contact Information

World Headquarters/USA: 1.812.273.1622
 Canada: 1.905.812.9920
 European Headquarters/Germany: +49.771.9233.0
 United Kingdom: +44.178.747.7711
 Australasia: +60.3.7660.0285
 Latin America / Caribbean: +54.3488.431.608
 Middle East / Northern Africa: +49.771.9233.0

© Vehicle Service GroupSM

Printed in U.S.A., All Rights Reserved. Unless otherwise indicated, ROTARY, and all other trademarks are property of Dover Corporation and its affiliates.

