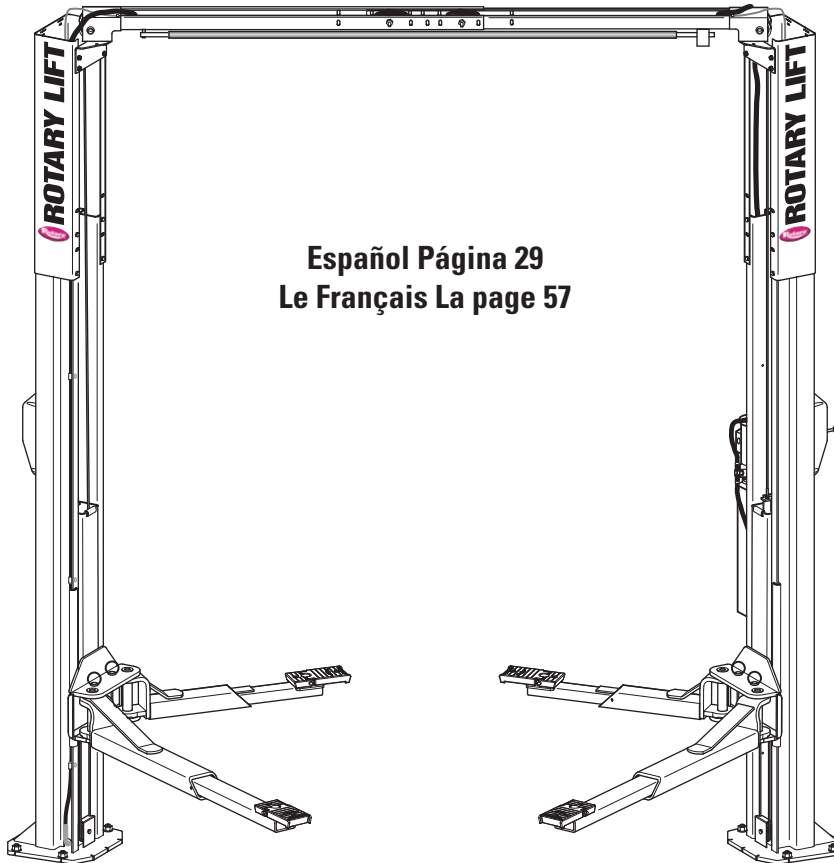




SPOA10, SP010, SPOA7 Hybrid, & Shockwave™ Models

(500, 700, And 800 Series Lifts)
Capacity 10,000 lbs. (4,536 kg.)



P
A
R
T
S

B
R
E
A
K
D
O
W
N

IMPORTANT: When ordering parts or requesting service always give exact model and power unit serial number. Model number is shown on nameplate attached to power unit column. Power unit serial number is located on side of power unit.

OWNERS RECORD
Complete information at right and keep in a safe place.

Date Installed _____

Installed in Bay # _____

Power Unit Serial # _____

Power Unit Model # _____

Lift Serial # _____

Lift Model # _____

NOTE: For replacement parts -See your nearest Rotary Parts Distributor.



PB2-2-44
Rev. AJ 12/12/2019

1. L.H. Column Standard Weldment	N752
L.H. Column Seismic Weldment	N766
2. R.H. Column Standard Weldment.....	N755
R.H. Column Seismic Weldment.....	N768
3. Column Extension	
Standard Height	N470
EH-1 MODEL	N471
EH-2 MODEL	N472
EH-4 MODEL (SPO10 only).....	N474
4. Carriage Yoke Weldment	N822
5. Arm Pin	N2154
6. 1/4"-20NC x 3/4" Lg. HHCS	40099
7. Hydraulic Cylinder	
68" Rise	N3156
71" Rise	N382
8. Power Unit	
1Ø 60Hz	**P1302/P3302
1Ø 50Hz	**P1389/P3389
3Ø	**P1347/P3347
3Ø 575V	**P1359/P3359
3Ø 380V (S Model).....	**P1510/P3510
9. Power Unit Hose	FJ837
10. 5/16"-18NC x 1-1/2" Flanged HHCS (Full Thread)	40509
11. NA.....	NA
12. 5/16"-18NC Hex Flanged Lock Nut.....	40678
13. Actuator Pin Handle	FJ7985-1
14. Actuator Pin.....	N121-1
15. Retaining Pin.....	N119-3
16. Arm Restraint Spring.....	FJ7656-2
17. Bleeder Screw (Specify Manufacturer)	N/A
18. Carriage Bumper.....	FA941
19. Arm Restraint Pawl.....	N2121
20. Approach bumper	FJ7391-1
21. 5/8"-11NC Nylon Insert Lock Nut.....	40743
22. Truarc #5304-75 Klipring for 3/4" Shaft.....	41411
23. Sheave	N377
24. 1/4"-20NC Zinc Hex Nut.....	40627
25. Sheave Cover	N119-1
26. 1/4"-20NC x 3/8" Lg. PHMS Plated (2 pcs.).....	40063
27. Slider block	FJ7360
28. 3/4" Concrete Anchor	FJ7380
29. 1-1/2" O.D. x .760-.770" I.D. x .045" Bushing.....	41388
30. 1/4"-20NC x 2-3/4" HHCS.....	40114
31. 1/4"-20NC Insert Locknut	40642
32. 1/8" x 1" Lg. Cotter Pin (3Ø only)	41200
33. Switch Bar Assembly	
1Ø SPOA10NB	N415
1Ø SPOA10/SP010 / 3Ø w/ Push Button.....	N467
3Ø.....	N434
34. Wheel Spotting Dish Kit.....	FF729
35. 1/4" Flat Washer	40795
36. 3/8"-16 NC x 3/4" Long Flanged HHCS	40124
*37. Arm Restraint Kit (1 arm)	*N2148
38. Overhead Hose	
Standard.....	N3103
EH-1 MODEL	FJ842
EH-2 MODEL	FJ843
EH-4 MODEL (SPO10 only).....	FJ845

39. Equalizer Cables	
SPOA10NB	N384
SPOA10NB EH-1 MODEL.....	N385
SPOA10NB EH-2 MODEL.....	N386
SPOA10.....	N372
SPOA10 EH-1 MODEL.....	N378
SPOA10 EH-2 MODEL.....	N373
SP010.....	N374
SP010 EH-1 MODEL.....	N379
SP010 EH-2 MODEL.....	N375
SP010 EH-4 MODEL.....	N376
40. Capacitor Box.....	FA7147-1
Capacitor Box Cover Plate	FA7366-1
Drum Switch	FA7364
Drum Switch Lever	FA7364-1
M5 x 45 PHMS, Plated.....	41672
41. Locking Latch Cable	FJ7600
42. Cable Guide.....	N618
43. 3/8"-16NC Flanged Locknut.....	40664
44. Sheave Shaft	FJ7444-8
45. Actuator Assembly (3Ø).....	N432-5
46. Cable End Bracket.....	N619
47. Hose Clip	N383
48. L.H. Overhead Assembly (Outer)	N480
49. R.H. Overhead Assembly (Inner)	N481
50. Branch Tee.....	FJ7668
51. Column Mounting Bracket	N439
52. 3/8"-16NC x 3/4" Carriage Bolts	N/A
53. 1/4"-20NC Flanged Locknut.....	40641
54. 3/4" Spacer	FJ7871
55. Cutoff Switch Assembly	
1Ø / 3Ø w/ Push Button	N413
3Ø.....	N432
Explosion Proof Controls.....	N4118
Cutoff Switch	
1Ø / 3Ø w/ Push Button	N413-1
3Ø.....	N432-1
Explosion Proof Controls.....	N4118-2
56. 1/4" External Tooth Lockwasher.....	40779
57. 1/4"-20NC x 1" HHCS Grade 5.....	40108
58. Spring Pin-1/4" dia. x 1-1/2" Lg. (Stainless)	14427
59. Shim	FJ716-6
60. Front Shim	FJ7659-3

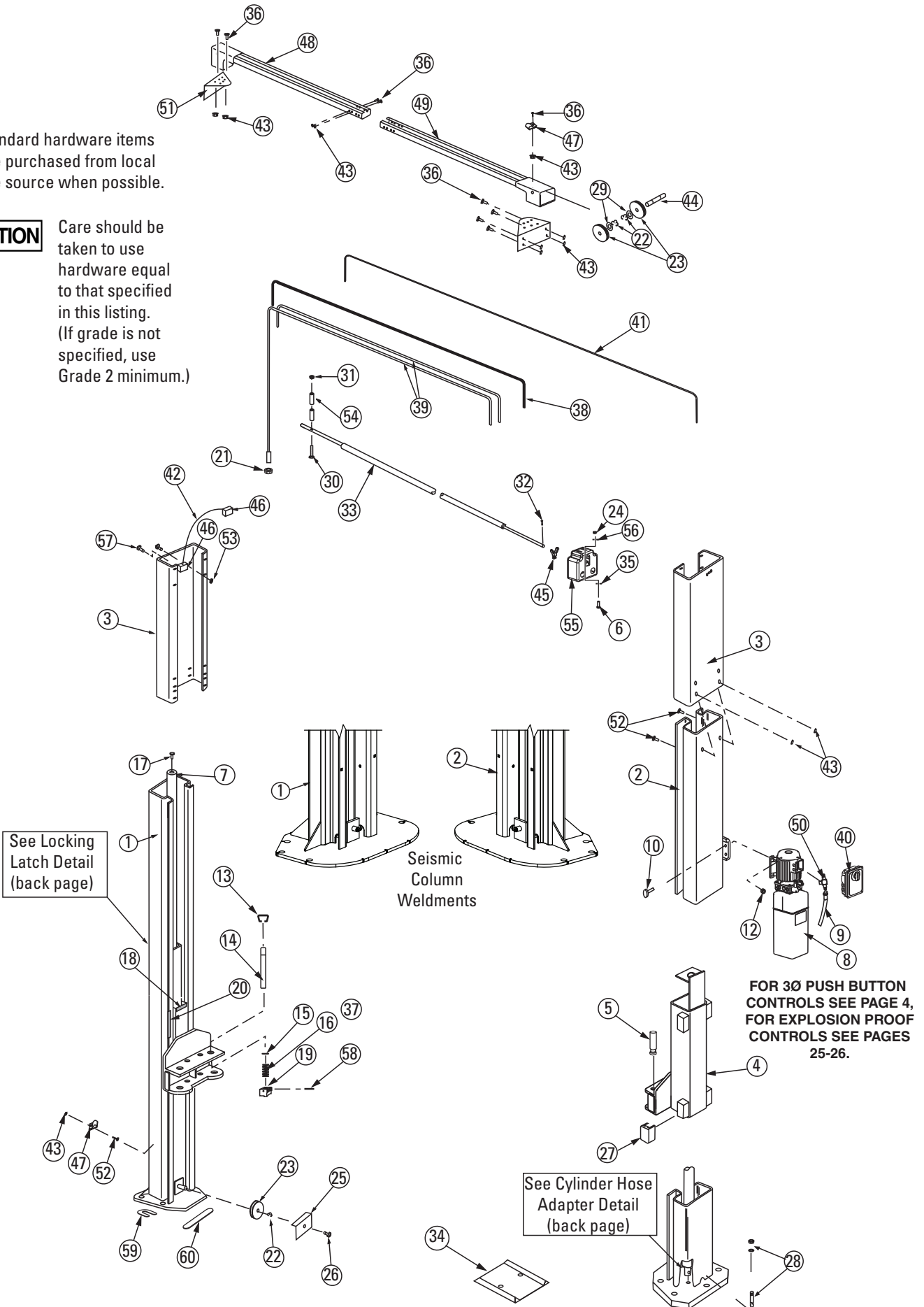
*Arm Restraint Kit (1 Arm) Includes items 13, 14, 15, 16, 19 & 58. Also includes Restraint Gears and attaching hardware (items 21, 22 & 23) from Arm Detail section.

**Two different power units were used. Please verify your model number before ordering parts.

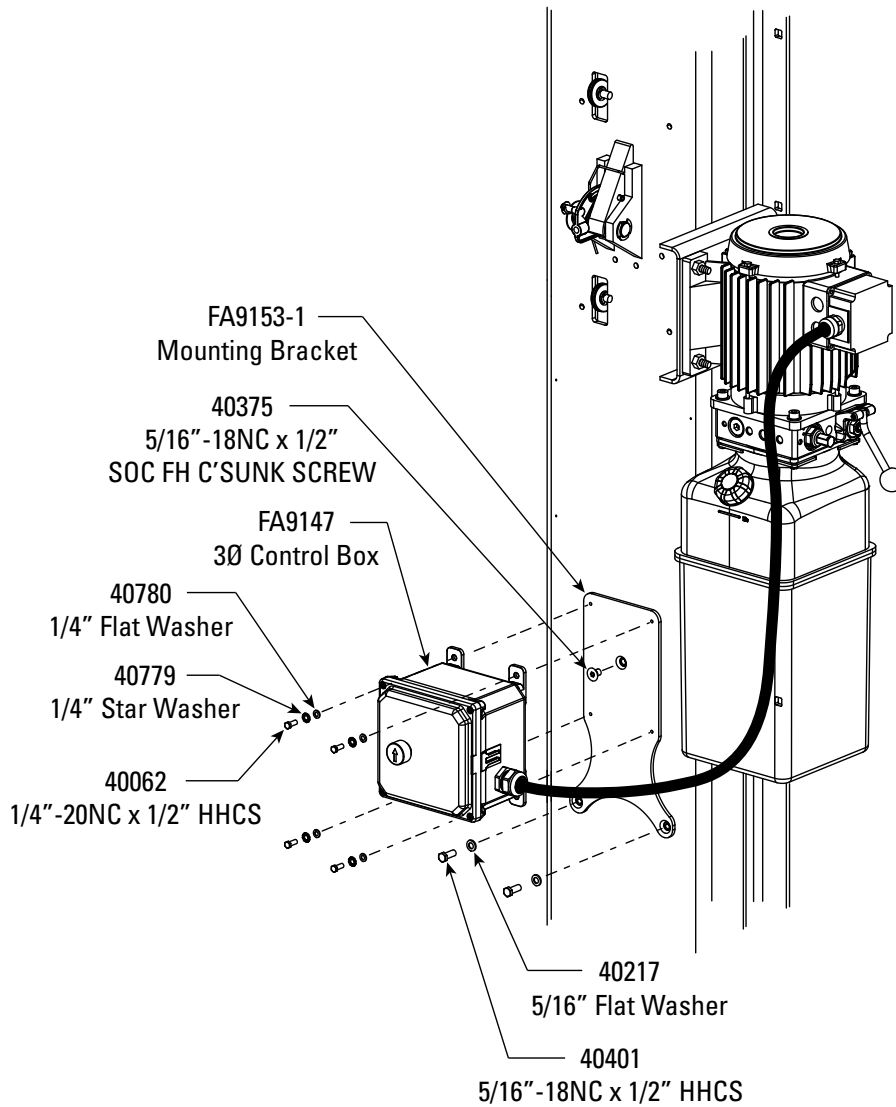
Note: Standard hardware items should be purchased from local hardware source when possible.



Care should be taken to use hardware equal to that specified in this listing. (If grade is not specified, use Grade 2 minimum.)

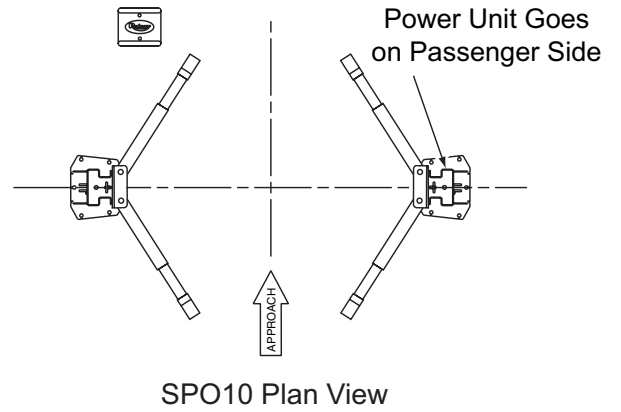
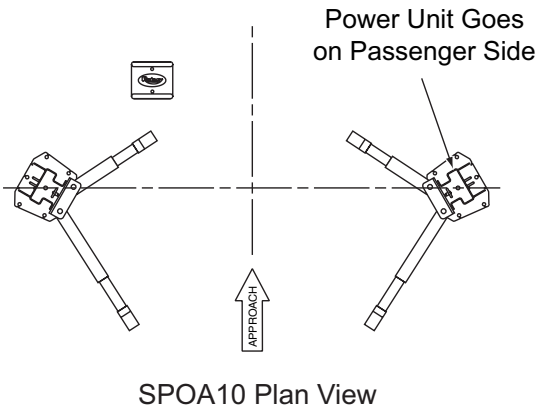


3Ø POWER UNIT



FA9147 Includes Items:	
FA9147-1	3Ø Control Box Enclosure with Gasket
FA9147-2	25 AMP Contactor, 3 Pole with 480 Volt Coil GE CR553AB3CAA
FA9147-6	Contactor Coil DB1AB 208-240 Volt for Contactor GE CR553A
FA9147-8	Switch Momentary Push Button with Contact Block
FA9147-9	Cord 600 Volt 4-Wire 42" Long with Ring Terminals

FA9147-12	550-600 Volt Coil GE Pin PB1AD for 575 Volt Lifts Only
-----------	--

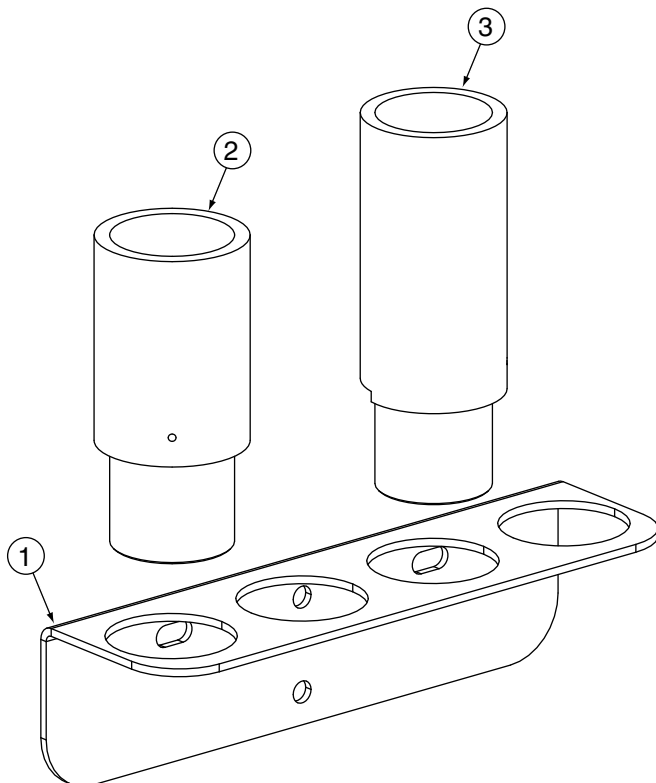


***Notes: 5TX, 5GX or 5BX Series?**

To find out if you have a 5TX, 5GX or 5BX series arms look at the **last (3) numbers on the end** of your lift model number.

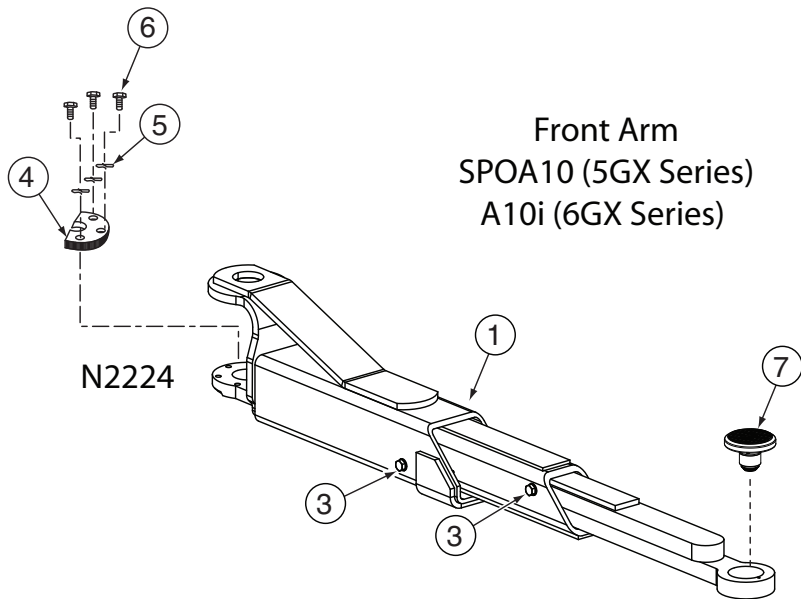
EXAMPLE: SPOA10N**5G5** would be a **5GX Series** model.

Model number can be found on a tag on the side of the lift.
The "X" is a variable number used to fill the place of the actual last number on your lift model number tag.

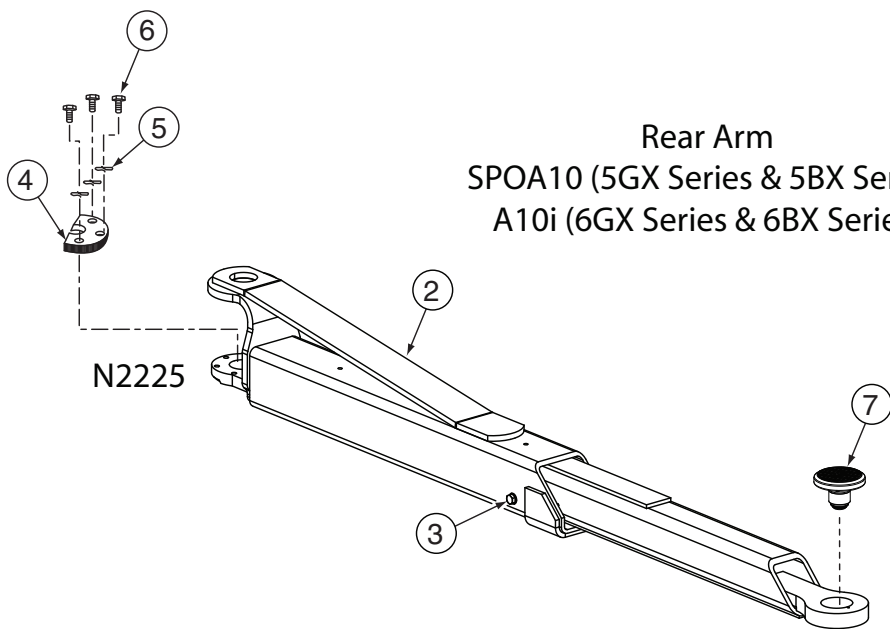


1.	Adapter Rack	FJ6127
2.	3-1/2" (90mm) Adapter Extension	FJ6171-1
3.	5-1/4" (130mm) Adapter Extension	FJ6171-2

Arm Detail



Front Arm
SPOA10 (5GX Series)
A10i (6GX Series)

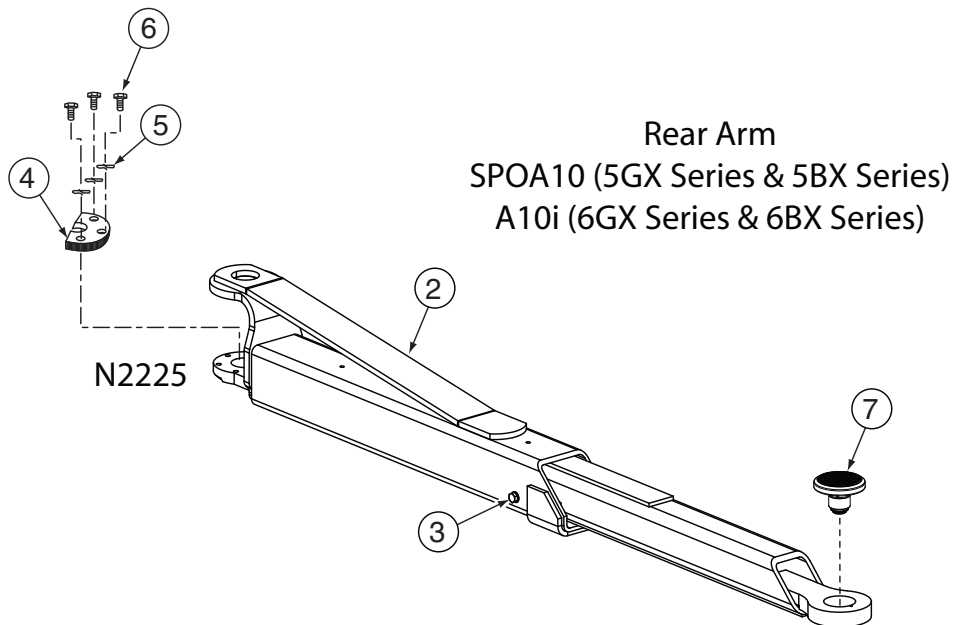
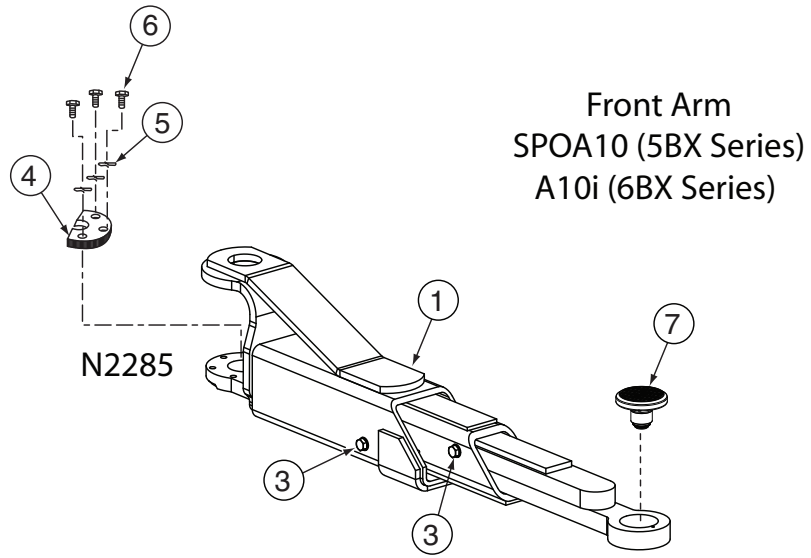


Rear Arm
SPOA10 (5GX Series & 5BX Series)
A10i (6GX Series & 6BX Series)

1.	Front Arm SPOA10 (5GX Series)	*N2224
2.	Rear Arm SPOA10 (5GX Series) & (5BX Series)	*N2225
3.	Stop Bolt Assembly	N219
4.	Arm Restraint Gear	N2122
5.	3/8" Spring Washers (For Lifts With Tapped Bearing Bar)	40818

6.	3/8"-16NC x 1-1/2" HHCS Grade 5	40201
7.	Low Profile Adapter Assembly Rubber Pad	FJ6202 FJ6202-3

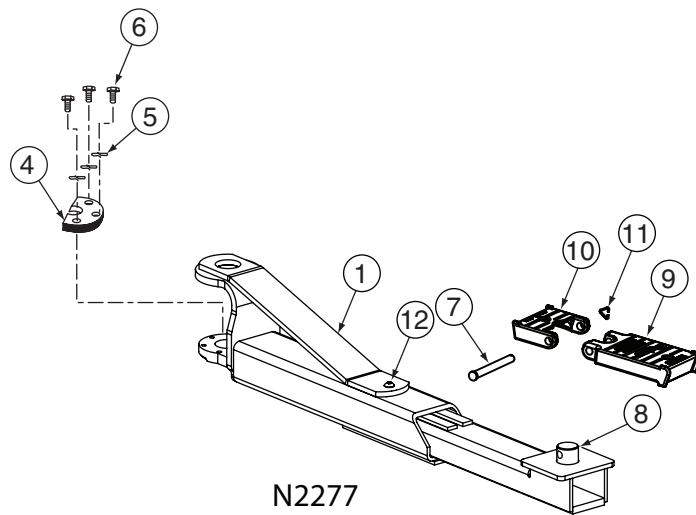
Arm Detail



1.	Front Arm SPOA10 (5BX Series)	*N2285
2.	Rear Arm SPOA10 (5GX Series) & (5BX Series)	*N2225
3.	Stop Bolt Assembly	N219
4.	Arm Restraint Gear	N2122
5.	3/8" Spring Washers (For Lifts With Tapped Bearing Bar)	40818

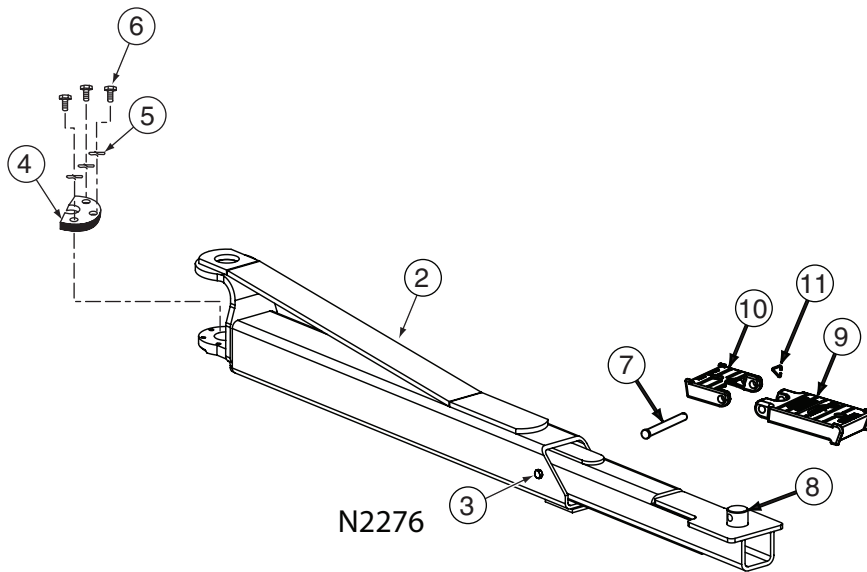
6.	3/8"-16NC x 1-1/2" HHCS Grade 5	40201
7.	Low Profile Adapter Assembly	FJ6202
	Rubber Pad	FJ6202-3

Arm Detail



N2277

Front Arm
SPOA10 (70X Series)
A10i (70X Series)



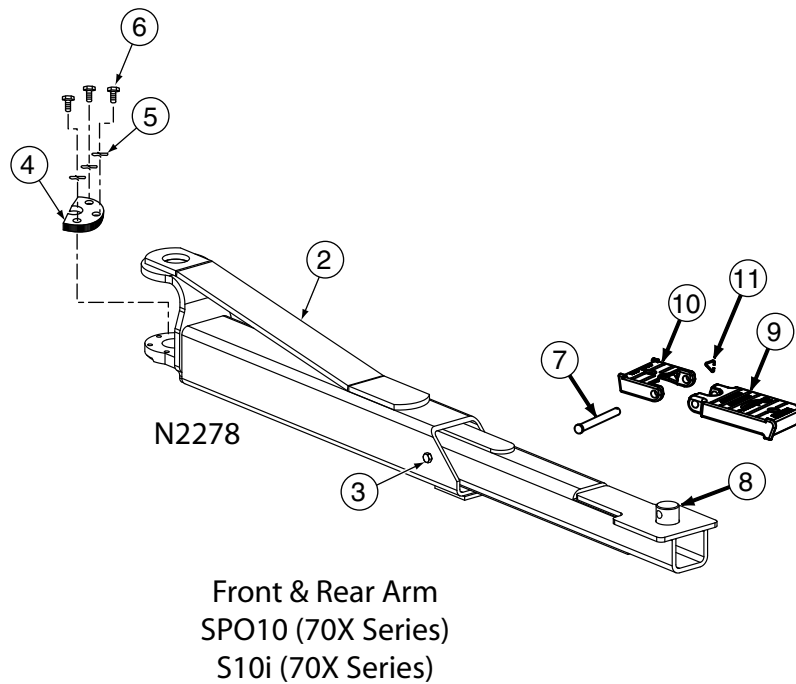
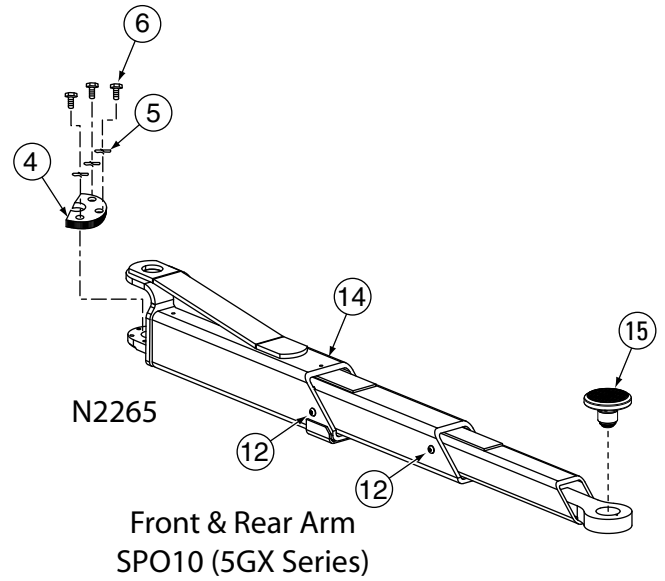
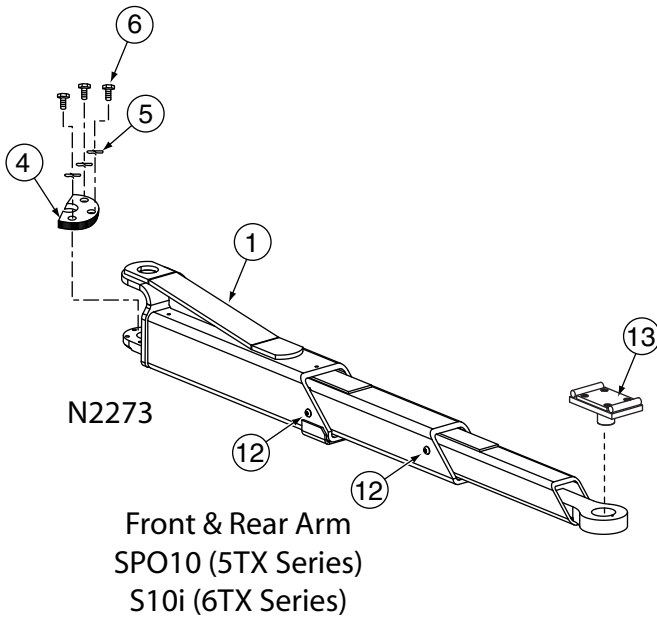
N2276

Rear Arm
SPOA10 (70X Series)
A10i (70X Series)

1.	Front Arm SPOA10 (70X Series)	*N2277
2.	Rear Arm SPOA10 (70X Series)	*N2276
3.	Stop Bolt 3/8"-16NC x 1/2" Lg. HHCS	40126
4.	Arm Restraint Gear	N2122
5.	3/8" Spring Washers (For Lifts With Tapped Bearing Bar)	40818
6.	3/8"-16NC x 1-1/2" HHCS Grade 5	40201
7.	Adapter Pin	FJ6179
8.	Adapter Swivel Pin	FJ79-6
9.	High Step Adapter	FJ6177

10.	Low Step Adapter	FJ6178
11.	3/32" Hog Ring for 1/2" Shaft (8 required)	FJ671-6
12.	Front Stop Bolt (M10 x 1.5 x 20mm BHCS)	41650

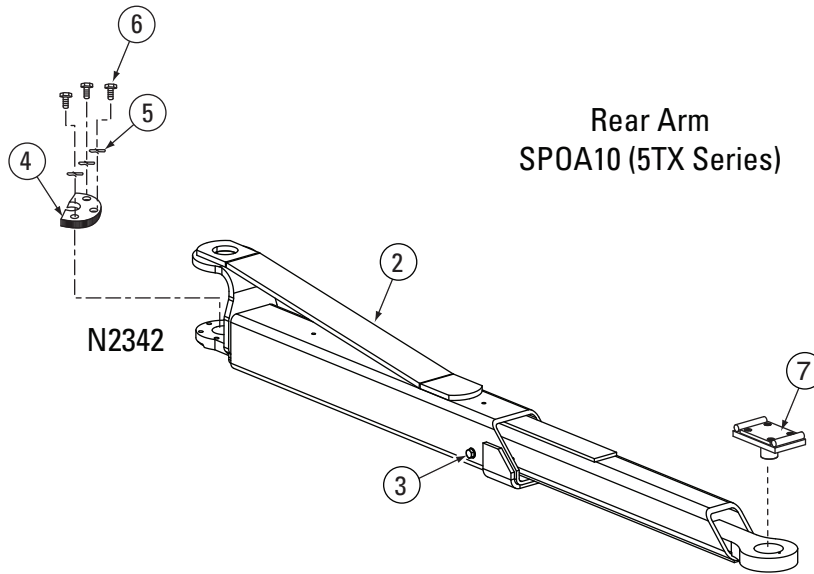
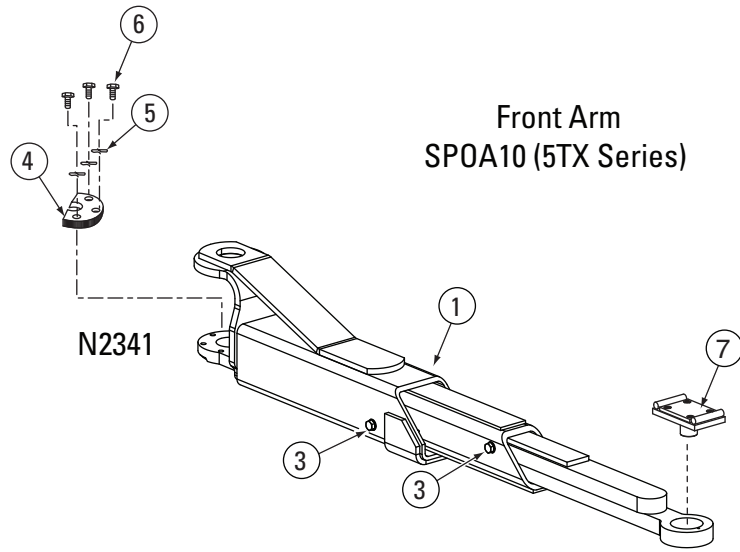
Arm Detail



1.	Front And Rear Arm SPO10 (5TX Series)	*N2273
2.	Rear Arm SPO10 (70X Series)	*N2278
3.	Stop Bolt 3/8"-16NC x 1-1/2" Lg. HHCS	40126
4.	Arm Restraint Gear	N2122
5.	3/8" Spring Washers (For Lifts With Tapped Bearing Bar)	40818
6.	3/8"-16NC x 1-1/2" HHCS Grade 5	40201
7.	Adapter Pin	FJ6179
8.	Adapter Swivel Pin	FJ79-6
9.	High Step Adapter	FJ6177
10.	Low Step Adapter	FJ6178
11.	3/32" Hog Ring for 1/2" Shaft (8 required)	FJ671-6

12.	Front Stop Bolt (M10 x 1.5 x 20mm BHCS)	N2264-15
13.	Adapter Assembly (SPO10) 3-Stage Arm Rubber Pad	FJ6214 FJ6158-4
14.	Front and Rear Arm SPO10 (5GX Series)	*N2265
15.	Low Profile Adapter Assembly Rubber Pad	FJ6202 FJ6202-3

Arm Detail



1.	Front Arm SPOA10 (5TX Series)	*N2341
2.	Rear Arm SPOA10 (5TX Series)	*N2342
3.	Stop Bolt Assembly	N219
4.	Arm Restraint Gear	N2122
5.	3/8" Spring Washers (For Lifts With Tapped Bearing Bar)	40818

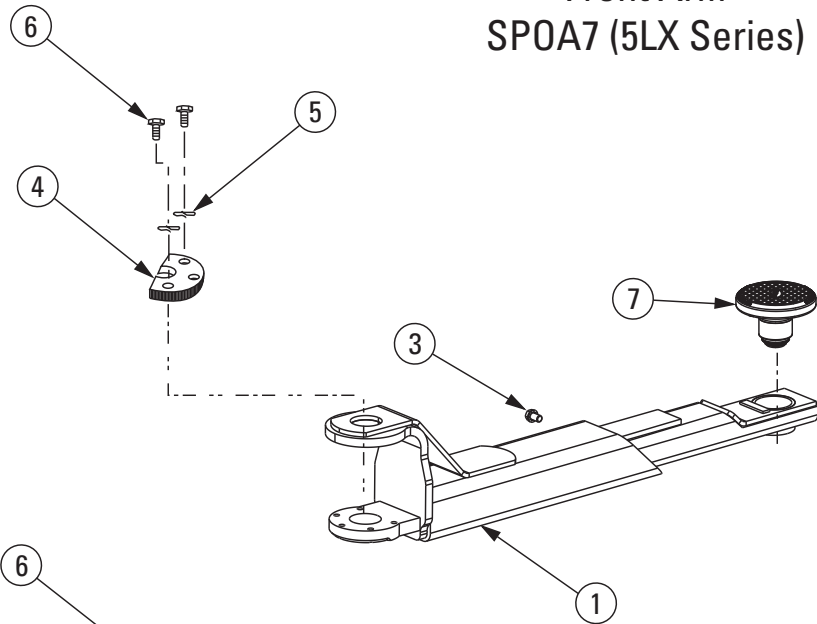
6.	3/8"-16NC x 1-1/2" HHCS Grade 5	40201
7	Adapter Assembly 3-Stage Arm Rubber Pad	FJ6214 FJ6158-4

Arm Detail SPOA7 Low Profile Arm

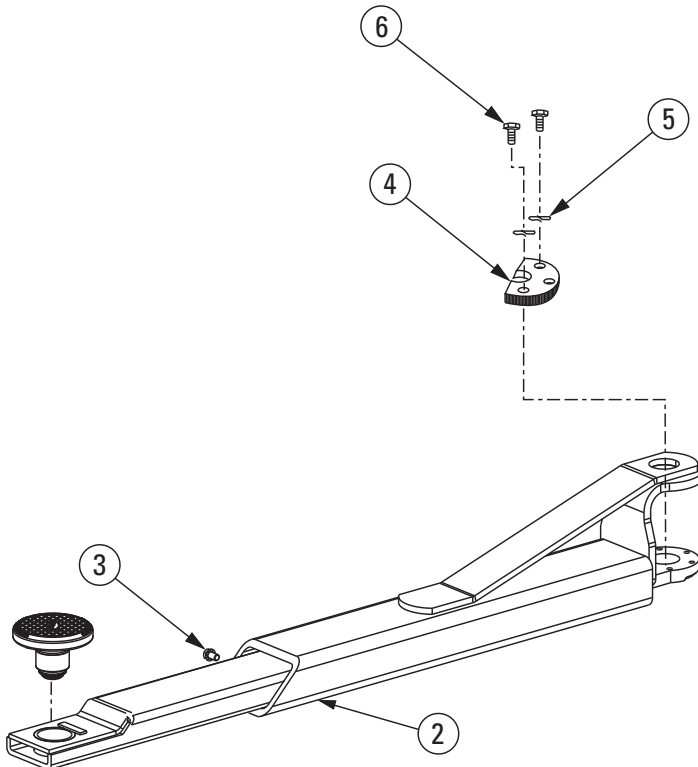
1.	Front Arm SPOA10 (5TX Series)	*N2295
2.	Rear Arm SPOA10 (5TX Series)	*N2294
3.	Stop Bolt Assembly	N219
4.	Arm Restraint Gear	N2122
5.	3/8" Spring Washers (For Lifts With Tapped Bearing Bar)	40818

6.	3/8"-16NC x 1-1/2" HHCS Grade 5	40201
7.	Adapter Assembly 3-Stage Arm Rubber Pad	FJ6202
		FJ6202-3

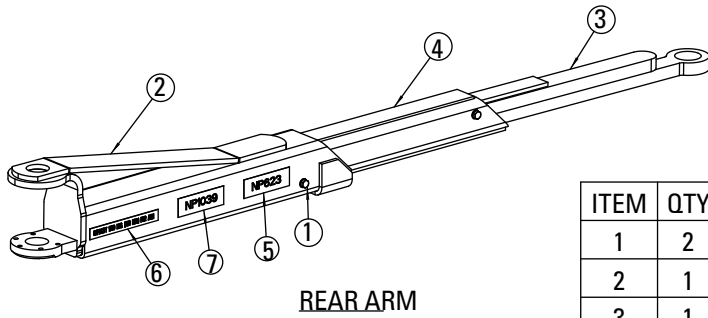
Front Arm
SPOA7 (5LX Series)



Rear Arm
SPOA7 (5LX Series)

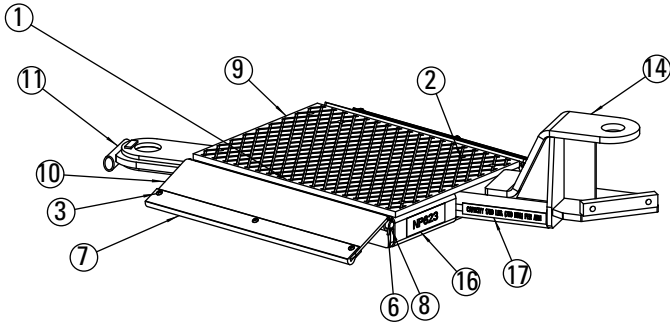


Arm Detail SPOA7 Hybrid

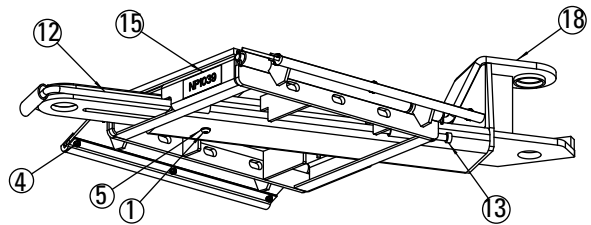


REAR ARM

ITEM	QTY	PART NO.	DESCRIPTION
1	2	N219	STOP BOLT ASSEMBLY
2	1	N2336-1	7K 3-STAGE OUTER ARM WELDMENT
3	1	N2336-2	7K 3-STAGE INNER ARM WELDMENT
4	1	N2336-3	7K 3-STAGE MIDDLE ARM WELDMENT
5	2	NP623	ALWAYS USE ADAPTERS NAMEPLATE
6	2	NP874	CAPACITY NAMEPLATE
7	2	NP1039	USE TRUCK ADAPTERS NAMEPLATE



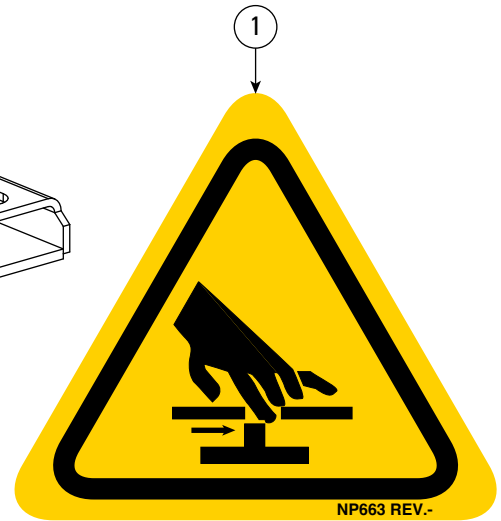
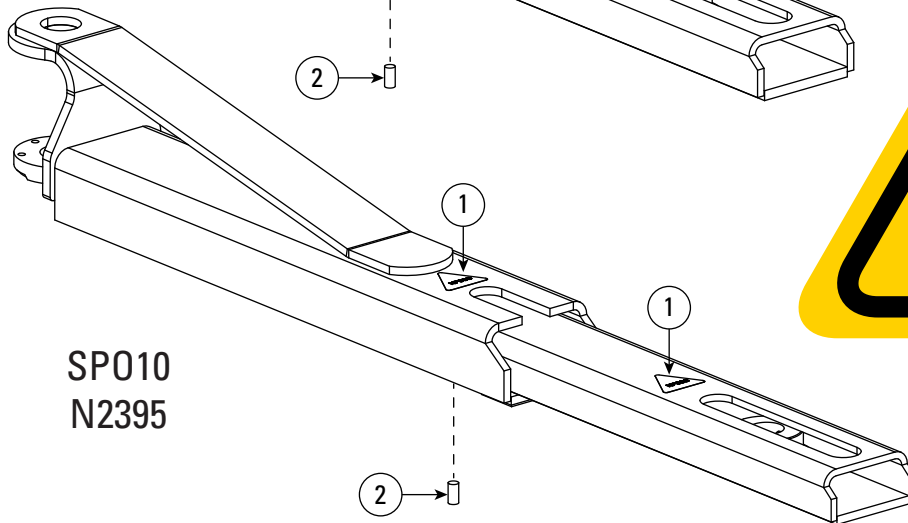
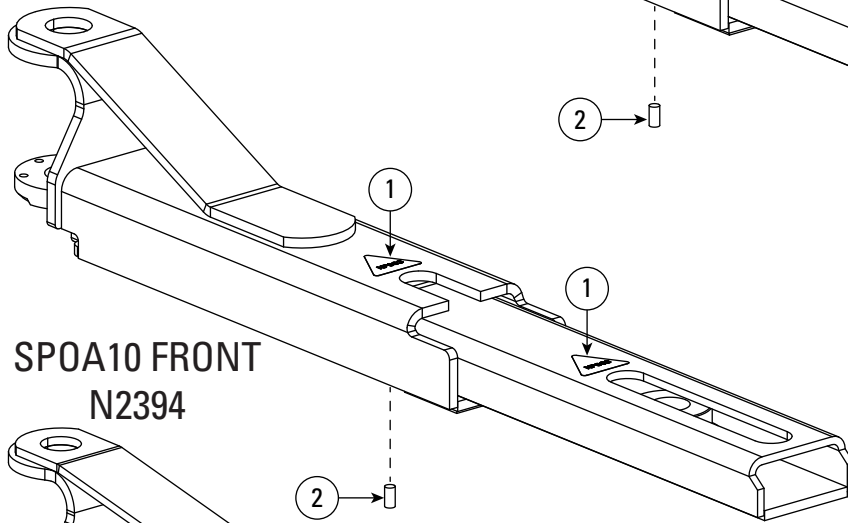
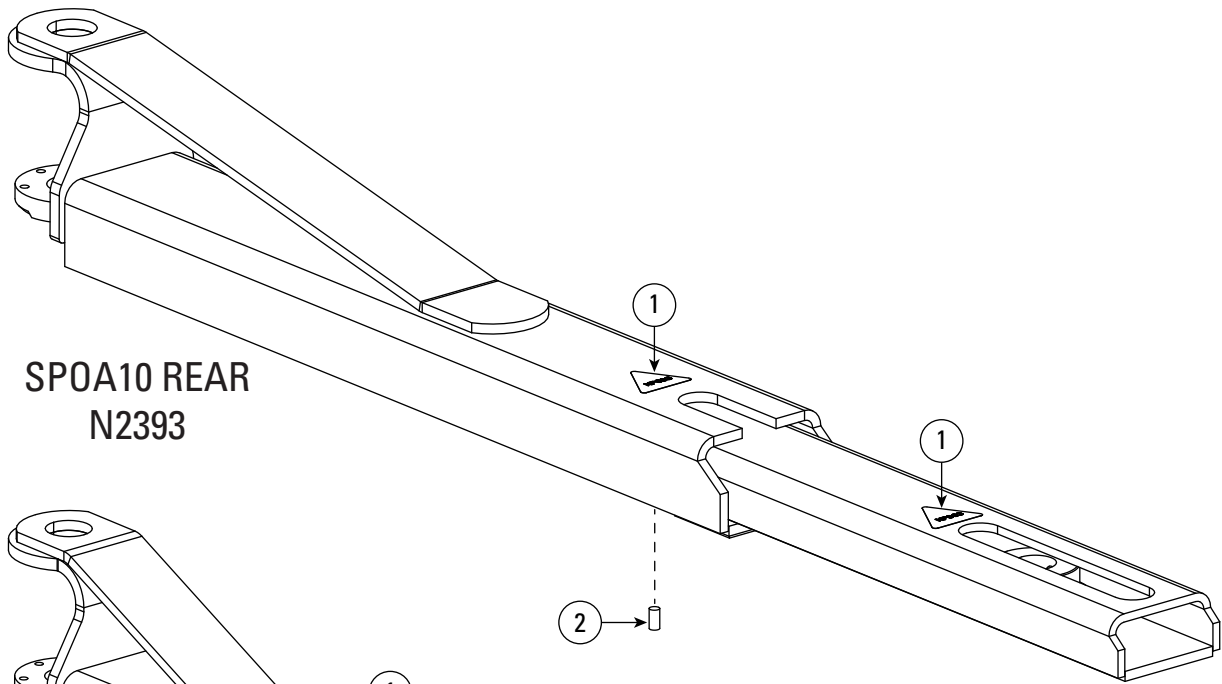
LEFT HAND PAD



RIGHT HAND PAD

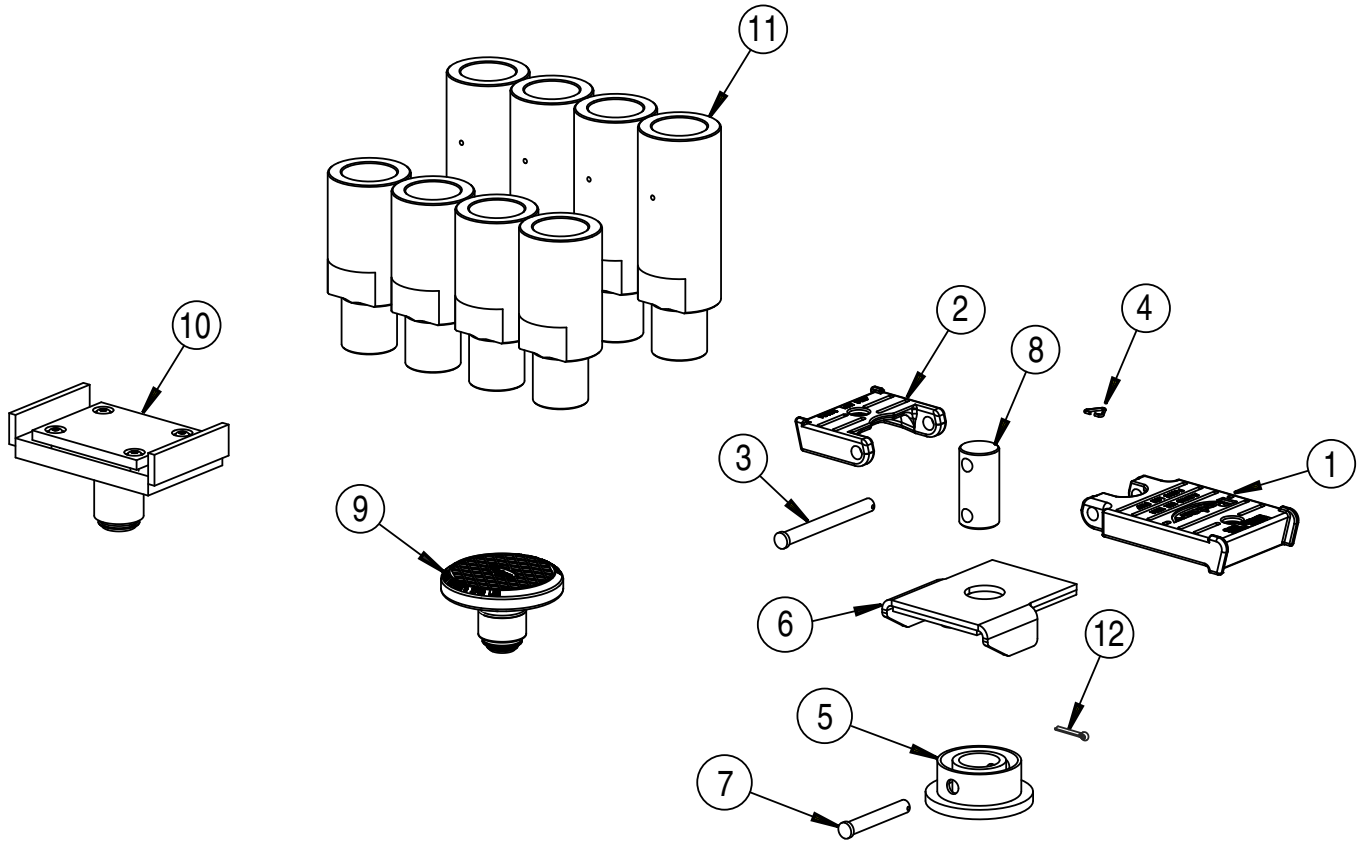
ITEM	QTY	PART NO.	DESCRIPTION
1	1	40157	3/8"-16NC x 3/4" Lg HEX SOC BHCS, GRD2
2	4	40174	1/4 x .475 BLIND RIVET McMASTER-CARR #97517A651 or EQ.
3	6	40192	#10-24NC x 3/4 Lg. PHILLIPS TRUSS HEAD SCREW, PLATED
4	6	40633	#10-24NC HEX FLGD WZLOCK NUT, PLTD
5	1	40843	3/8" INT TOOTH LW, PLTD
6	4	41202	5/32" x 1" Lg COTTER PIN
7	2	FC134-33	RAMP CHOCK SLIDE
8	2	FC5179-5	PIN
9	1	FJ2494	FRONT PAD RUBBER PAD
10	2	N2249	2-POST PAD LIFT RAMP WELDMENT
11	1	N2338-6	FRONT PAD INNER ARM WELDMENT
12	1	N2338-13	FRONT PAD INNER ARM ACTUATOR BAR
13	1	N2338-16	INNER ARM ACTUATOR ROD THUMB SCREW
14	1	N2339-1	LEFT HAND FRONT PAD WELDMENT
15	1	NP1039	USE TRUCK ADAPTER NAMEPLATE
16	1	NP623	RUBBER PAD ADAPTER NAMEPLATE
17	1	NP874	CAPACITY 1750 LBS NAMEPLATE
18	1	N2338	RIGHT HAND FRONT PAD WELDMENT

800 Series Arms Detail



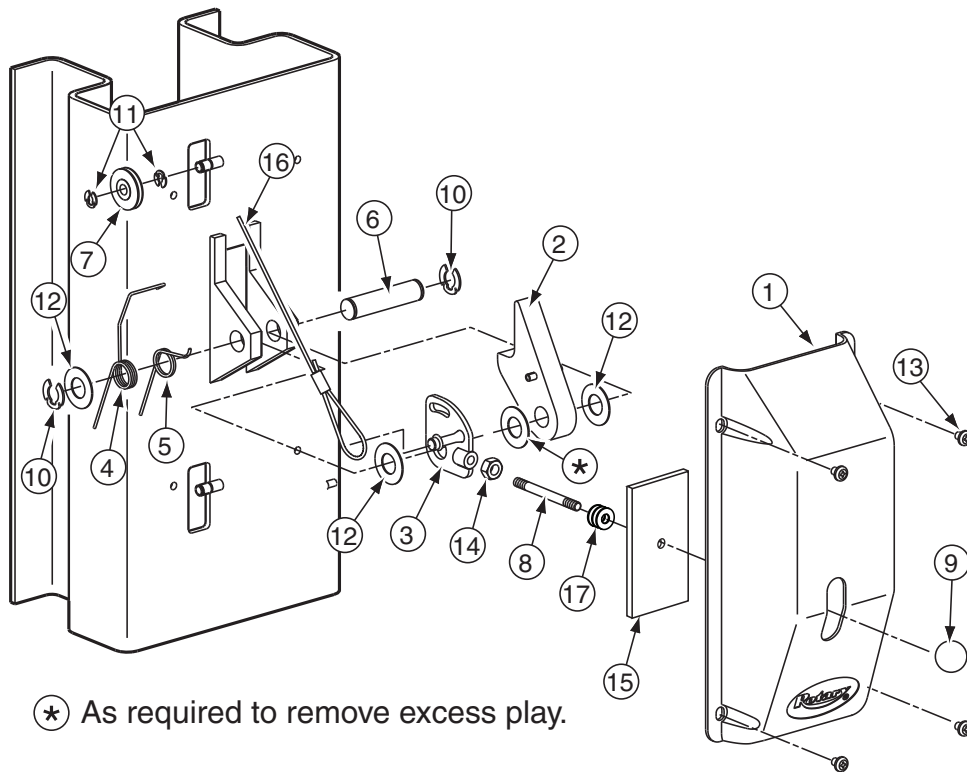
1.	Pinch Point Decal	NP663
2.	3/8-16 x 3/4" Set Screw**	40319
	1/2-13 x 3/4" Set Screw**	41746
**Set Screw Part Number Dependent Upon Specific Version		

800 Series Options Detail



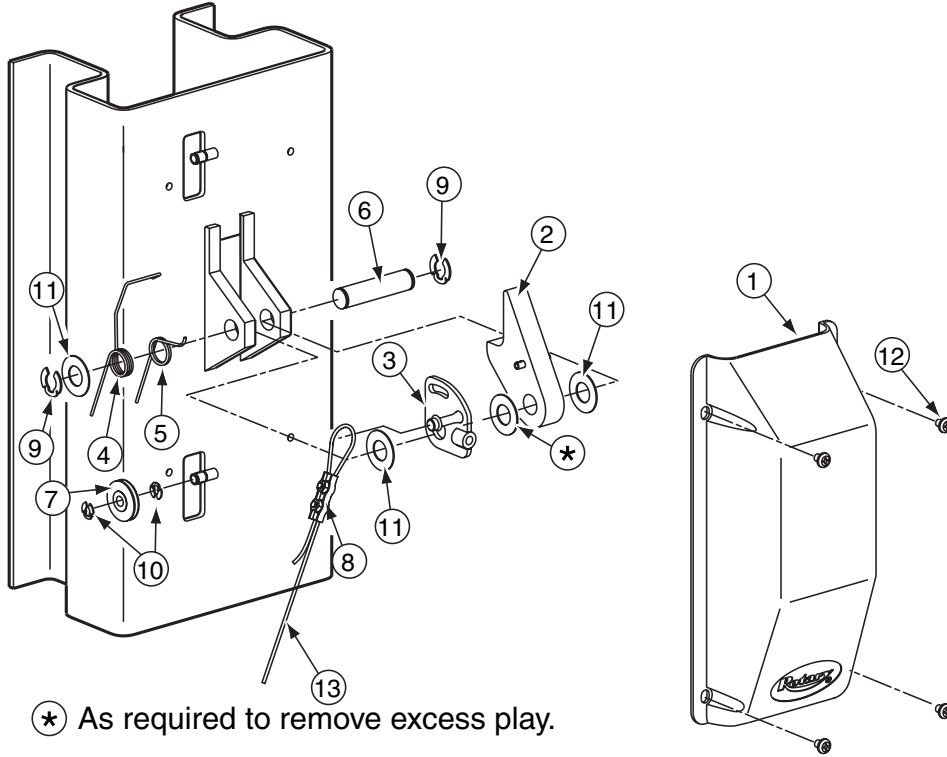
ITEM	DESCRIPTION	PART
1	High Step Adapter	FJ6177
2	Low Step Adapter	FJ6178
3	Adapter Pin	FJ6179
4	3/32" Hog Ring For 1/2" Shaft	FJ671-6
5	Adapter Insert	T120309
6	Load Plate Weldment	FJ6233
7	Adapter Insert Pin	T130669
8	Swivel Pin	T130668
9	Low Profile Round RA Adapter	FJ6219
10	Truck Adapter	T110564
11	Extension Adapter Kit (Sold Separately)	T100271
12	7/64" x 3/4" Cotter Pin	41205

Locking Latch Detail (Right Column)



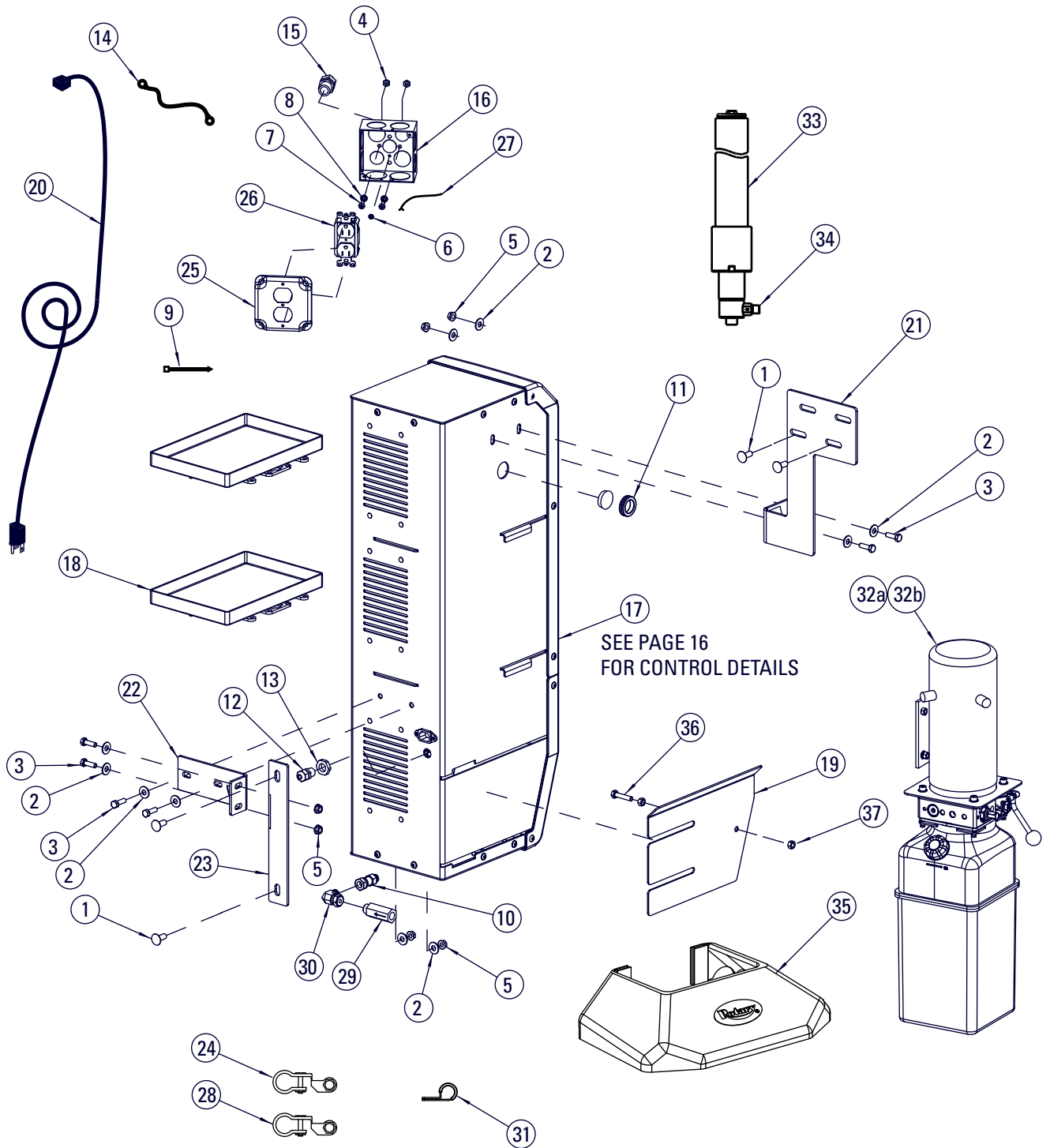
ITEM	DESCRIPTION	PART#
1.	Control Side Cover.....	FJ7452
2.	Locking Latch Dog.....	N616
3.	Control Plate.....	FJ7594-2
4.	Spring.....	FJ7566-10
5.	Spring.....	FJ7382-9
6.	Latch Shaft.....	FJ7382-34
7.	Locking Latch Sheave.....	FJ7322
8.	Handle.....	FJ7382-18
9.	Ball Handle.....	FC134-91
10.	Truarc Klipring #5304-75 for 3/4" Shaft.....	41411
11.	Truarc Klipring #5304-37 for 3/8" Shaft.....	41410
12.	1-1/2" O.D. x 3/4" I.D. x .045" Mach. Bush.....	41388
13.	5/16"-18NC x 3/8" Lg. PHMS.....	40227
14.	3/8" - 16NC Hex Jam Nut.....	40658
15.	Slot Cover.....	N617
16.	Locking Latch Cable.....	FJ7600
17.	3/8" Flat Washer.....	40820

Locking Latch Detail (Left Column)



ITEM	DESCRIPTION	PART#
1.	Latch Cover	FJ7451
2.	Locking Latch Dog	N616
3.	Control Plate	FJ7594-2
4.	Spring.....	FJ7566-10
5.	Spring.....	FJ7382-9
6.	Latch Shaft.....	FJ7382-34
7.	Locking Latch Sheave.....	FJ7322
8.	Latch Cable Clamp.....	N63-1
9.	Truarc Klipring #5304-75 for 3/4" Shaft.....	41411
10.	Truarc Klipring #5304-37 for 3/8" Shaft.....	41410
11.	1-1/2" O.D. x 3/4" I.D. x .045" Mach. Bush.....	41388
12.	5/16"-18NC x 3/8" Lg. PHMS.....	40227
13.	Locking Latch Cable	FJ7600

Shockwave Detail

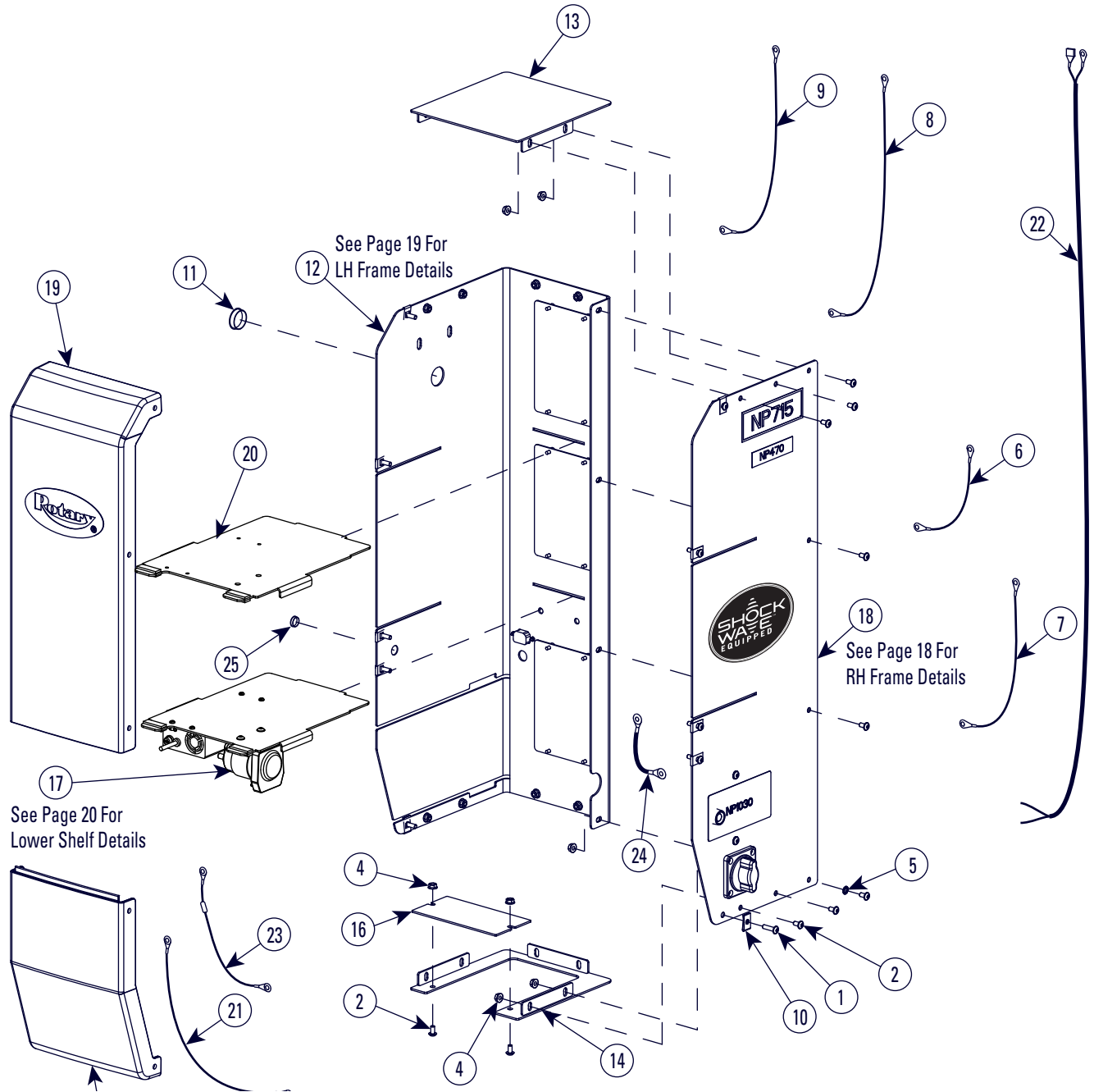


DC CONTROL MOUNTING

Shockwave Detail

ITEM	PART NO.	DESCRIPTION
1	40167	3/8"-16NC x 1" Lg. CAR. BOLT, Gr. 5, PLTD.
2	40217	5/16" USS FLAT WASHER, PLTD
3	40221	5/16"-18NC x 1" Lg HHCS, GRD5 PLTD
4	40650	#12-24NC HEX NUT, PLTD
5	40678	5/16"-18NC HEX FLGD WZLOCK NUT, PLTD
6	FA997-1	#10-32 x 1/4" Lg. HEX WHSFTS, PLTD, COLORED GREEN
7	41526	#12-24NC x 3/4" Lg. PHIL. PHMS, PLTD
8	41527	#12 EXT TOOTH LW, PLTD
9	629888	TY-RAP CABLE TIE, NYLON, BLACK, 11 1
10	EFX60010319	ADAPTER, STRAIGHT THREAD/ SWIVEL (ORB/ORFS 6X6)
11	FA7180-31	WIRE GROMMET
12	FA7189-14	3/8" NPT STRAIN RELIEF
13	FA7189-15	3/8" NPT LOCKNUT
14	FA7616	BATTERY-BATTERY CABLE
15	FA7958-28	CORD GRIP
16	FA997	JUNCTION BOX
17	FA966	DC CONTROL ASSEMBLY
18	FA966-16	BATTERY TRAY
19	FA966-47	BATTERY CABINET 2-POST SPLASH SHIELD
20	FA966-51	10FT UNIVERSAL POWER CORD (NEMA 5-15P TO IEC320C13)
21	FA966-55	BATTERY CABINET UPPER MOUNTING BRKT WELD
22	FA966-56	BATTERY CABINET MOUNTING BRKT WELD
23	FA966-57	BATTERY CABINET MOUNTING COLUMN BRKT WELD
24	FA979	POSITIVE BATTERY TERMINAL END
25	FA980-1	DUPLEX RECEPTACLE COVER 4" SQUARE BOX
26	FA980-2	DUPLEX FEMALE RECEPTACLE
27	FA980-3	GROUND WIRE
28	FA981	NEGATIVE BATTERY TERMINAL END
29	FJ71003	FLOW REGULATOR
30	FJ71007	MALE ORFS x FEMALE ORFS SWIVEL ELBOW
31	FJ7669	COLUMN HOSE CLAMP
32a	P3577	DC POWER UNIT - PAD LIFT
32b	P3579	DC POWER UNIT - ARM LIFT
32c	P3586	DC POWER UNIT - SPO12
33	N3151Y	HYDRAULIC CYLINDER
34	FJ7352-3	ADAPTER
35	N539	BASE PLATE COVER (FOR SPOA10 & SPO10 MODELS ONLY)
36	40271	5/16"-18NC x 1-1/2" HHCS FULL THREAD
37	40670	5/16"-18NC HEX NUT

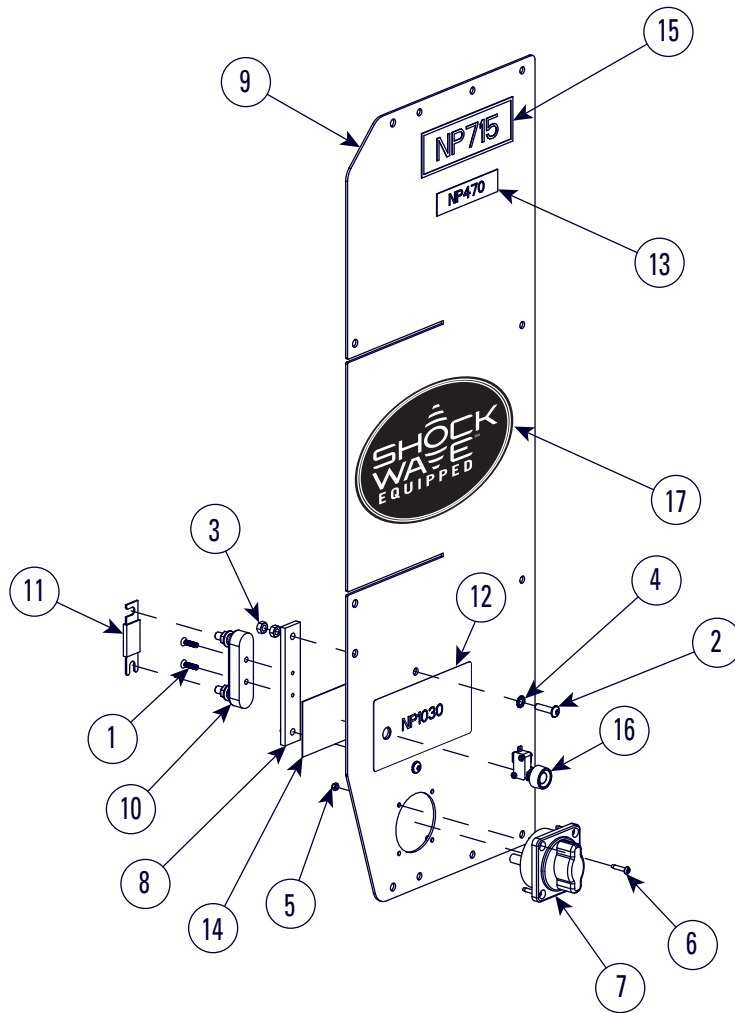
Shockwave Detail



Shockwave Detail

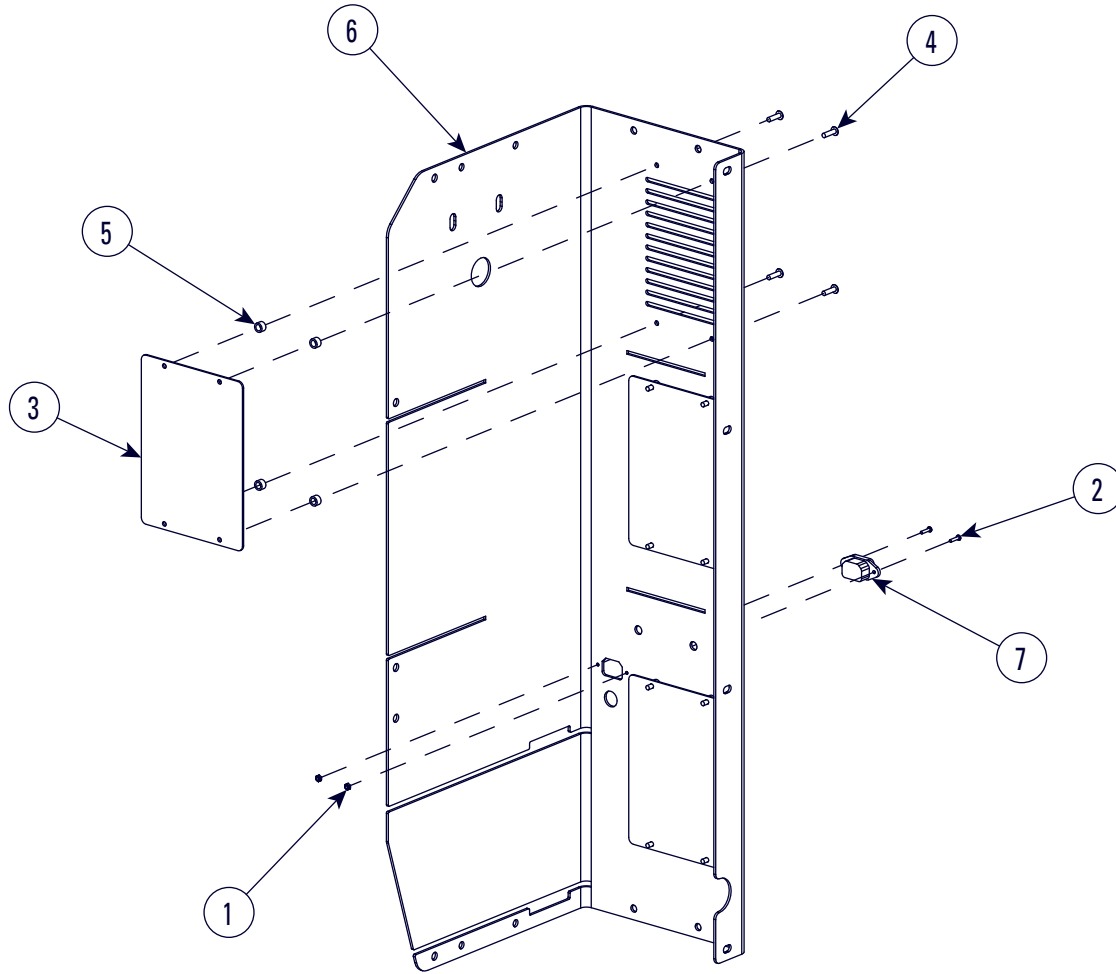
DC CONTROL		
ITEM	PART NO.	DESCRIPTION
1	40077	1/4"-20NC x 1" Lg FLGD HEX SOC BHCS, GRD2
2	40094	1/4"-20NC x 1/2" Lg FLGD HEX SOC BHCS
3	NA	NA
4	40641	1/4"-20NC HEX FLGD WZLOCK NUT, PLTD
5	40779	1/4" EXT TOOTH LW
6	FA7618	DISCONNECT-FUSE CABLE
7	FA7619	FUSE-CONTACTOR CABLE
8	FA7667	BATTERY-DISCONNECT CABLE
9	FA7668	BATTERY-MOTOR CABLE
10	FA966-22	CLIP-ON NUT
11	FA966-34	1-1/4" HOLE PLUG
12	FA966-37	BATTERY CABINET LH FRAME ASSY
13	FA966-39	BATTERY CABINET TOP COVER WELDMENT
14	FA966-42	BATTERY CABINET BOTTOM COVER WELDMENT
15	FA966-45	BATTERY CABINET FRONT BOTTOM COVER
16	FA966-46	BATTERY CABINET SMALL BOTTOM COVER
17	FA966-48	BATTERY CABINET LOWER SHELF ASSEMBLY
18	FA986-1	BATTERY CABINET RH FRAME ASSEMBLY
19	FA966-50	BATTERY CABINET FRONT TOP COVER ASSY
20	FA966-58	BATTERY CABINET SHELF WELD
21	FA970	CONTACTOR HARNESS
22	FA971	OVERHEAD HARNESS
23	FA978	DISCONNECT HARNESS
24	FA982	GROUND WIRE
25	FA966-60	TRANSPARENT HOLE PLUG

Shockwave Detail



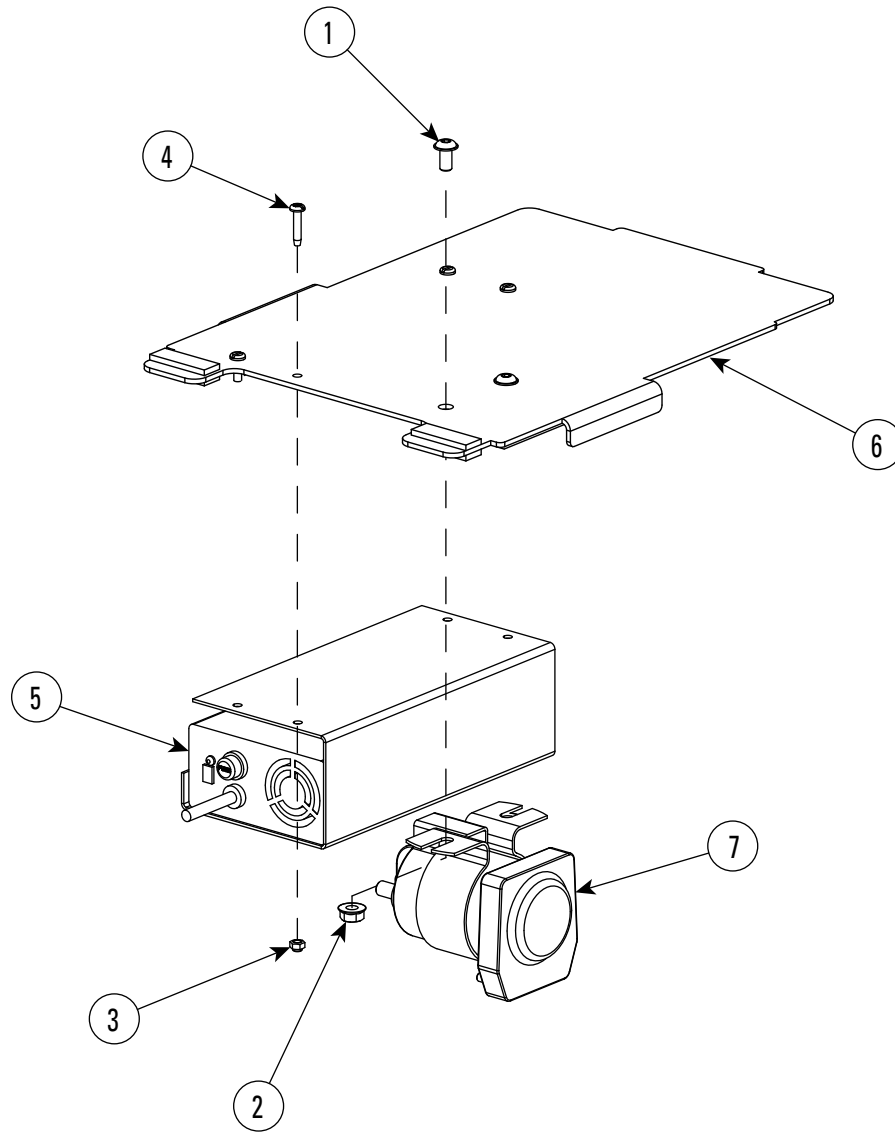
RIGHT HAND FRAME ASSEMBLY		
ITEM	PART NO.	DESCRIPTION
1	40004	#10-24 x 5/8 PFHMS, McMASTER-CARR # 90471A315 or EQUAL
2	40077	1/4"-20NC x 1" Lg FLGD HEX SOC BHCS, GRD2
3	40627	1/4"-20NC HEX NUT, PLTD
4	40779	1/4" EXT TOOTH LW
5	450957	#8-32NC NYLON LOCKNUTS
6	40022	#8-32NC X 1/2" Lg PHMS
7	FA7958-4	DC DISCONNECT SWITCH
8	FA966-8	FUSE HOLDER MOUNTING BRACKET
9	FA986-10	BATTERY CABINET RH FRAME
10	FA975	FUSE HOLDER
11	FA975-1	350 AMP FUSE
12	NP1030	PUSHBUTTON NAMEPLATE
13	NP470	MOTOR LOCATION WARNING LABEL
14	NP692	NAMEPLATE
	NP1066	NAMEPLATE
15	NP715	NAMEPLATE
16	P1483	LIMIT SWITCH ASSEMBLY
17	NP1067	SHOCKWAVE DECAL

Shockwave Detail



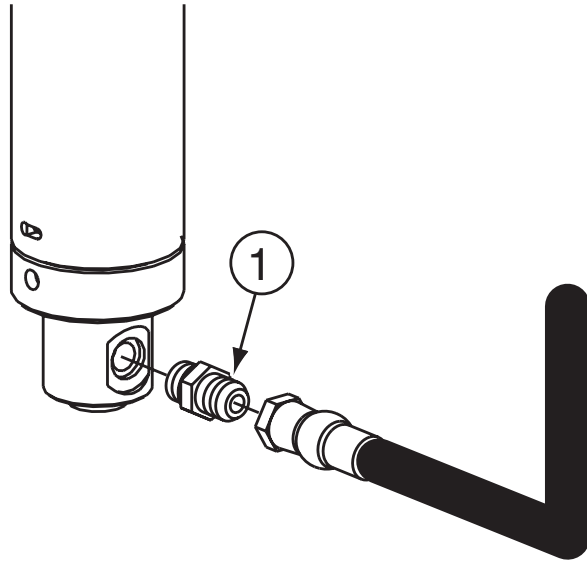
LEFT HAND FRAME ASSEMBLY		
ITEM	PART NO.	DESCRIPTION
1	41628	#4-40 NYLON INSERT LOCKNUT MMC #90633A005
2	796443	#4-40 x 1/2 Lg. PHMS, PLTD
3	FA966-17	SPLASH SHIELD
4	FA966-18	DOMED HEAD RIVET
5	FA966-21	SPACER
6	FA966-52	BATTERY CABINET LH FRAME FORMING
7	FA983	CHARGER INTERNAL POWER CORD

Shockwave Detail



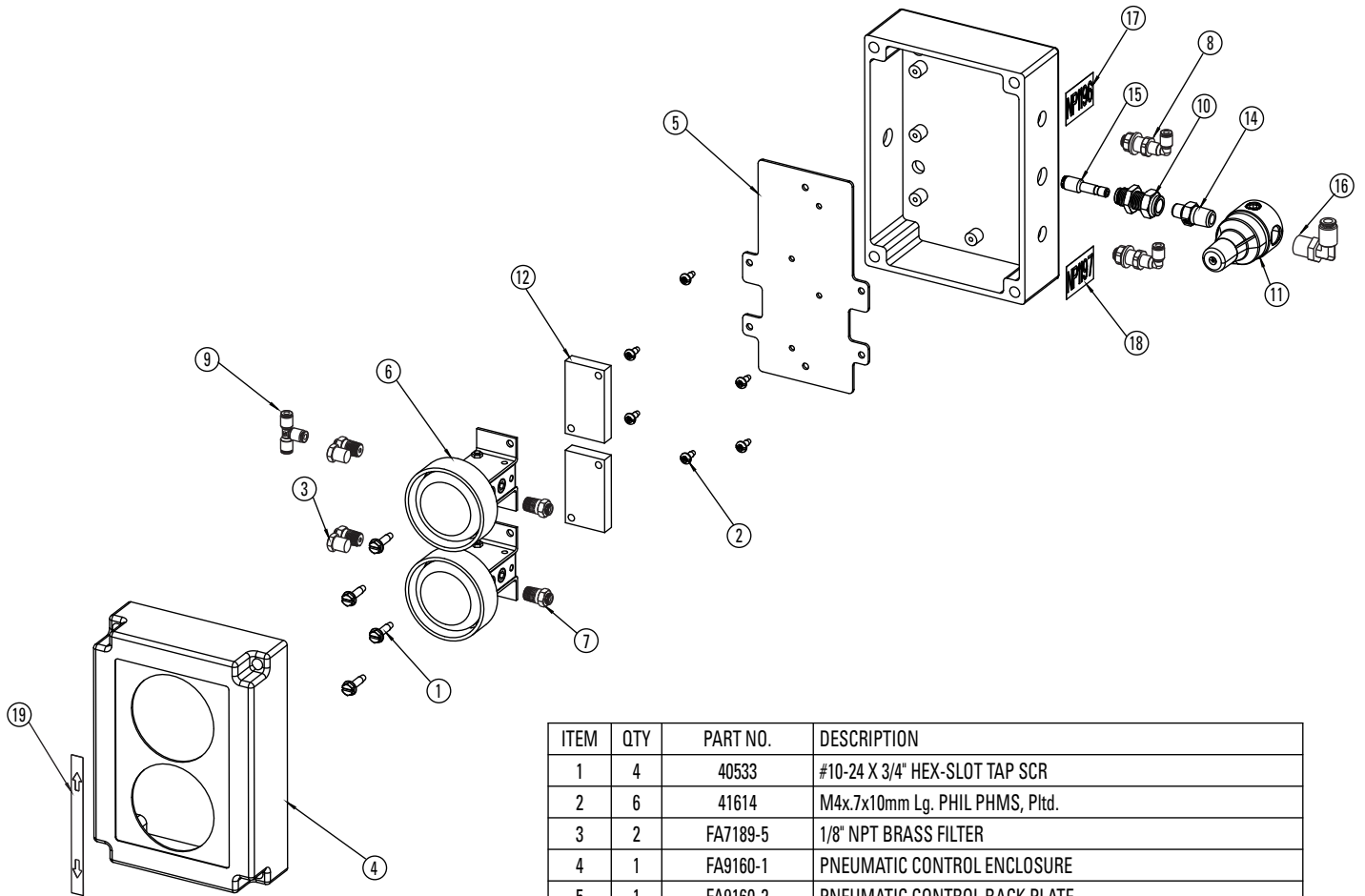
LOWER SHELF ASSEMBLY		
ITEM	PART NO.	DESCRIPTION
1	40094	1/4"-20NC x 1/2" Lg FLGD HEX SOC BHCS
2	40641	1/4"-20NC HEX FLGD WZLOCK NUT, PLTD
3	450957	#8-32NC NYLON LOCK NUT
4	40022	#8-32NC x 1/2" LG. PHMS
5	FA966-62	24V 8A CHARGER ASSEMBLY
6	FA966-58	BATTERY CABINET SHELF WELD
7	FA976	DC CONTACTOR

Cylinder Hose Adapter Detail



ITEM	DESCRIPTION	PART#
1.	Straight Adapter.....	FJ7352-3

Pneumatic Control Panel



ITEM	QTY	PART NO.	DESCRIPTION
1	4	40533	#10-24 X 3/4" HEX-SLOT TAP SCR
2	6	41614	M4x.7x10mm Lg. PHIL PHMS, Pltd.
3	2	FA7189-5	1/8" NPT BRASS FILTER
4	1	FA9160-1	PNEUMATIC CONTROL ENCLOSURE
5	1	FA9160-2	PNEUMATIC CONTROL BACK PLATE
6	2	FA9160-3	LIGHT TOUCH PNEUMATIC ACTUATOR
7	4	FC67-97	STRAIGHT FITTING 5/32" TUBE TO 1/8" NPTF (MALE)
8	2	FA9160-14	SWIVEL ELBOW BULKHEAD FITTING FOR 5/32" TUBE
9	1	450932	UNION TEE FOR 5/32" PRESS-TO-LOCK
10	1	FA7189-4	THROUGH-WALL BULKHEAD ADAPTER 1/8" NPTF(F) TO 1/4" TUBE
11	1	FA9160-9	NON-ADJUSTABLE PRESSURE REGULATOR (40 PSI)
12	2	FA9160-10	SPACER
13	1	FA9160-15	5/32" O.D. AIR TUBE
14	1	FA9160-12	HEX NIPPLE 1/8" NPTF(M) TO 1/4" NPTF(M)
15	1	FA793-6	1/4" TO 5/32" TUBE END REDUCER
16	1	FC5341-90	MALE ELBOW CONNECTOR
17	1	NP1196	AIR OULET (RAISING) NAMEPLATE
18	1	NP1197	AIR OULET (LOWERING) NAMEPLATE
19	1	NP1200	DIRECTIONAL ARROWS NAMEPLATE

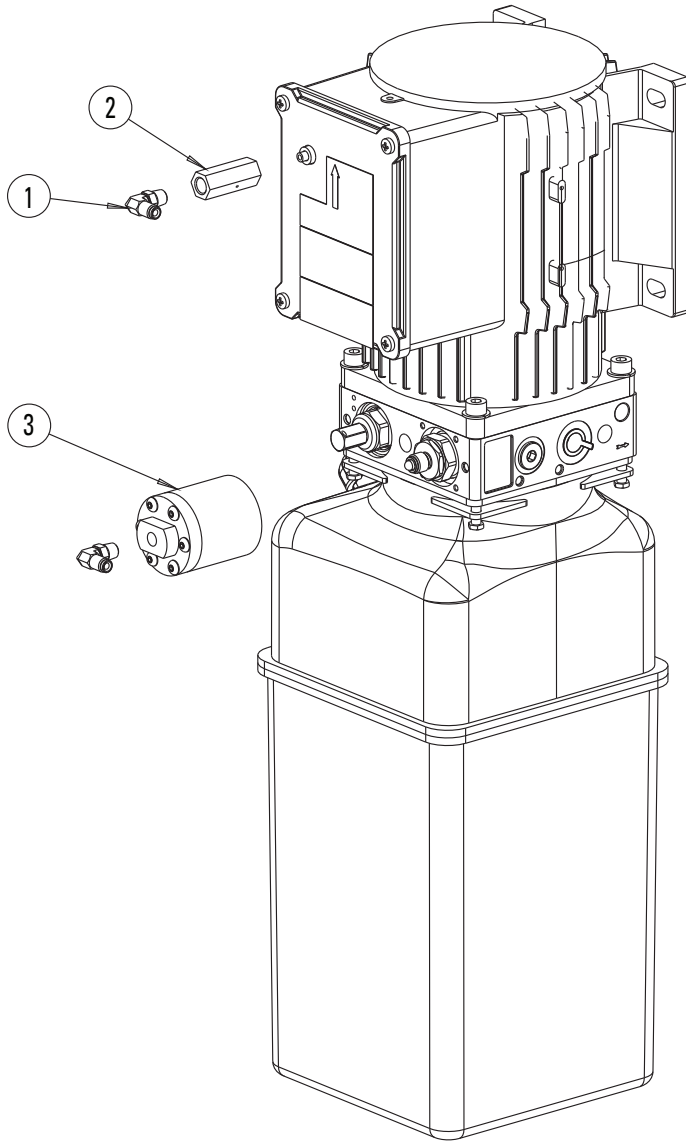
Note: FA9160-15 not shown

Power Unit for use with Pneumatic Control Panel

60 Hz Model - P3666

50 Hz Model - P3667

Note: P3666 and P3667 are identical to the standard single phase power unit except for the addition of the T140245 and FA9161.



ITEM	QTY	PART NO.	DESCRIPTION
1	2	FA793-3	SWIVEL ELBOW 1/8" NPTF (MALE) TO 5/32" TUBE
2	1	FA9161	AIR TO ELECTRIC SWITCH
3	1	T140245	PNEUMATIC ACTUATOR

Rotary World Headquarters

2700 Lanier Drive
Madison, IN 47250, USA
www.rotarylif.com

North America Contact Information

Tech. Support:

p 800.445.5438
f 800.578.5438
e userlink@rotarylif.com

Sales:

p 800.640.5438
f 800.578.5438
e userlink@rotarylif.com

World Wide Contact Information

World Headquarters/USA: 1.812.273.1622
Canada: 1.905.812.9920
European Headquarters/Germany: +49.771.9233.0
United Kingdom: +44.178.747.7711
Australasia: +60.3.7660.0285
Latin America / Caribbean: +54.3488.431.608
Middle East / Northern Africa: +49.771.9233.0

© Vehicle Service GroupSM

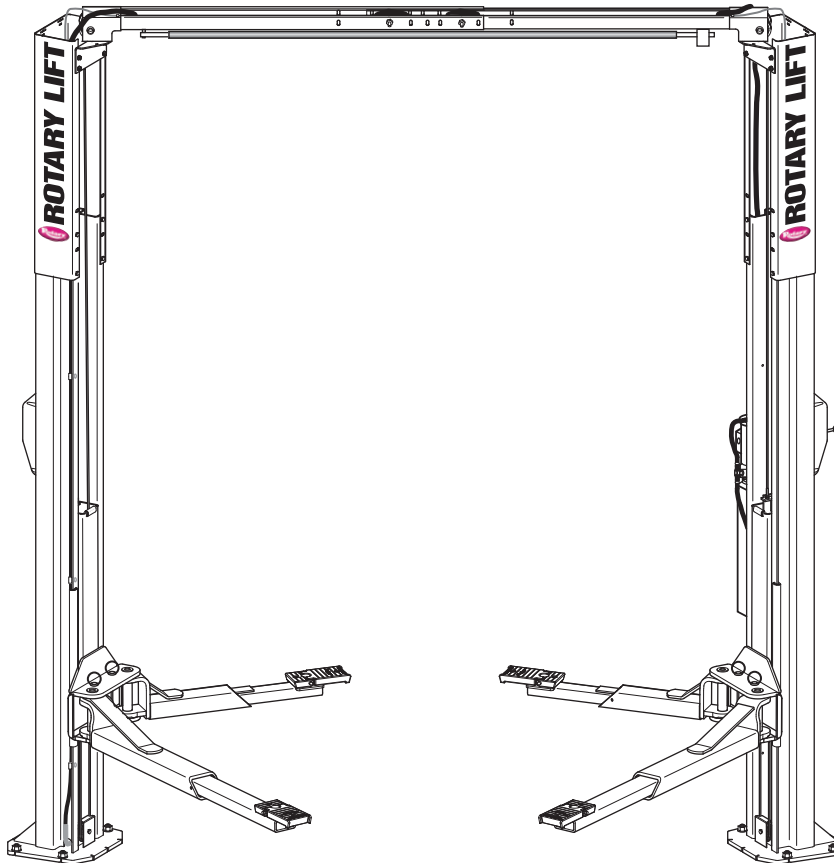
Printed in U.S.A., All Rights Reserved. Unless otherwise indicated, ROTARY, and all other trademarks are property of Dover Corporation and its affiliates.





SPOA10, SP010, SPOA7 Modelos Híbridos y Shockwave™

(Elevadores de la serie 500, 700 y 800)
Capacidad de 10.000 lbs (4.536 kg.)



D
E
S
G
L
O
S
E

D
E
P
I
E
Z
A
S

IMPORTANTE: Al ordenar partes o solicitar servicio siempre dé el modelo exacto y el número de serie de la unidad de energía. El número de modelo se muestra en la placa adjunta en la columna de la unidad de energía. El número de serie de la unidad de alimentación se encuentra a un lado de ésta.

REGISTRO DEL PROPIETARIO
Complete la información
a la derecha y guárdela en
un lugar seguro.

Fecha de Instalación _____

Instalado en la Bahía No. _____

No. de Serie de la Unidad de Energía _____

No. de Modelo de la Unidad de Energía _____

Nº de Serie del Elevador _____

Nº de Modelo del Elevador _____

NOTA: Para piezas de repuesto: Vea a su Distribuidor de Piezas Rotary más cercano.



1. Izquierda Soldadura de columna estándar	N752	39. Cables de Ecuación	
Izquierda Soldadura de columna sísmica	N766	SPOA10NB	N384
2. Derecha Soldadura de columna estándar	N755	MODELO SPOA10NB EH-1	N385
Derecha Soldadura de columna sísmica.....	N768	MODELO SPOA10NB EH-2	N386
3. Extensión de la Columna		SPOA10.....	N372
Altura estándar	N470	MODELO SPOA10 EH-1	N378
MODELO EH-1.....	N471	MODELO SPOA10 EH-2	N373
MODELO EH-2.....	N472	SPO10.....	N374
MODELO EH-4 (solo SPO10).....	N474	MODELO SPO10 EH-1	N379
4. Soldadura del Yugo del Carruaje.....	N822	MODELO SPO10 EH-2.....	N375
5. Pasador del Brazo	N2154	MODELO SPO10 EH-4.....	N376
6. 1/4"-20NC x 3/4" largo HHCS.....	40099	40. Caja del Capacitor	FA7147-1
7. Cilindro Hidráulico		Placa de Cubierta de la Caja del CAPACITOR.....	FA7366-1
Elevación de 68"	N3156	Interruptor de tambor.....	FA7364
Elevación de 71"	N382	Palanca del interruptor de tambor.....	FA7364-1
8. Unidad de energía		M5 x 45 PHMS, cromado	41672
1Ø 60Hz	**P1302/P3302	41. Cable de Cierre Macho.....	FJ7600
1Ø 50Hz	**P1389/P3389	42. Guía de Cable	N618
3Ø.....	**P1347/P3347	43. Contratuerca de fijación 3/8"-16NC.....	40664
3Ø 575V	**P1359/P3359	44. Eje de la polea	FJ7444-8
3Ø 380V (Modelo S)	**P1510/P3510	45. Ensamble del Impulsor (3Ø)	N432-5
9. Manguera de la unidad de alimentación.....	FJ837	46. Soporte del Extremo del Cable	N619
10. HHCS de fijación de 5/16"-18NC x 1-1/2"		47. Sujetador de Manguera.....	N383
(rosca completa).....	40509	48. Izquierda Ensamble superior (externo).....	N480
11. NA.....	NA	49. Derecha Ensamble superior (interno).....	N481
12. Contratuerca de fijación hexagonal de		50. Bifurcación T	FJ7668
5/16"-18NC	40678	51. Soporte de Montaje de la Columna	N439
13. Manija del Perno del Impulsor	FJ7985-1	52. 3/8"-16NC x 4" Pernos del Carro	N/A
14. Pasador del Impulsor	N121-1	53. Contratuerca de fijación 1/4"-20NC.....	40641
15. Pasador de retención.....	N119-3	54. Separador de 3/4"	FJ7871
16. Resorte del Brazo de Retención.....	FJ7656-2	55. Ensamble del interruptor de corte	
17. Tornillo del Purgador (Especificar Fabricante)....	N/A	1Ø / 3Ø con botón.....	N413
18. Tope del Carro	FA941	3Ø.....	N432
19. Trinquete de Restricción del Brazo	N2121	Controles a pruebas de explosiones.....	N4118
20. Tope de acercamiento	FJ7391-1	Interruptor de corte	
21. Contratuerca de Inserción de Nylon 11		1Ø / 3Ø con botón.....	N413-1
NC de 5/8"	40743	3Ø.....	N432-1
22. Truarc Klipring #5304-75 para Eje 3/4"	41411	Controles a pruebas de explosiones.....	N4118-2
23. Polea	N377	56. Arandela dentada externa de 1/4"	40779
24. 1/4"-20NC Tuerca Hexagonal de Zinc	40627	57. 1/4"-20NC x 1" HHCS Grado 5.....	40108
25. Cubierta de la polea	N119-1	58. Perno de Resorte-1/4" diá. x 1-1/2" Lg.	
26. 1/4"-20NC x 3/8" largo Enchapado		(Acero inoxidable)	14427
PHMS (2 piezas).....	40063	59. Separador	FJ716-6
27. Tope de las Correderas.....	FJ7360	60. Separador delantero	FJ7659-3
28. Anclaje de concreto de 3/4"	FJ7380		
29. Buje de 1-1/2" O.D. x .760-.770" I.D. x .045"	41388		
30. 1/4"-20NC x 2-3/4" HHCS.....	40114		
31. Contratuerca de inserción 1/4"-20NC	40642		
32. 1/8" x 1" Largo Clavija pasante (3Ø solamente) ...	41200		
33. Ensamble de la Barra del Interruptor			
1Ø SPOA10NB	N415		
1Ø SPOA10/SPO10 / 3Ø con botón	N467		
3Ø.....	N434		
34. Equipo de Localización de la Base de la Rueda ..	FF729		
35. Arandela plana de 1/4"	40795		
36. 3/8"-16 NC x 3/4" HHCS Largo de Fijación	40124		
*37. Equipo de Brazo de Restricción (1 brazo).....	*N2148		
38. Manguera Superior			
Estándar	N3103		
MODELO EH-1.....	FJ842		
MODELO EH-2.....	FJ843		
MODELO EH-4 (solo SPO10).....	FJ845		

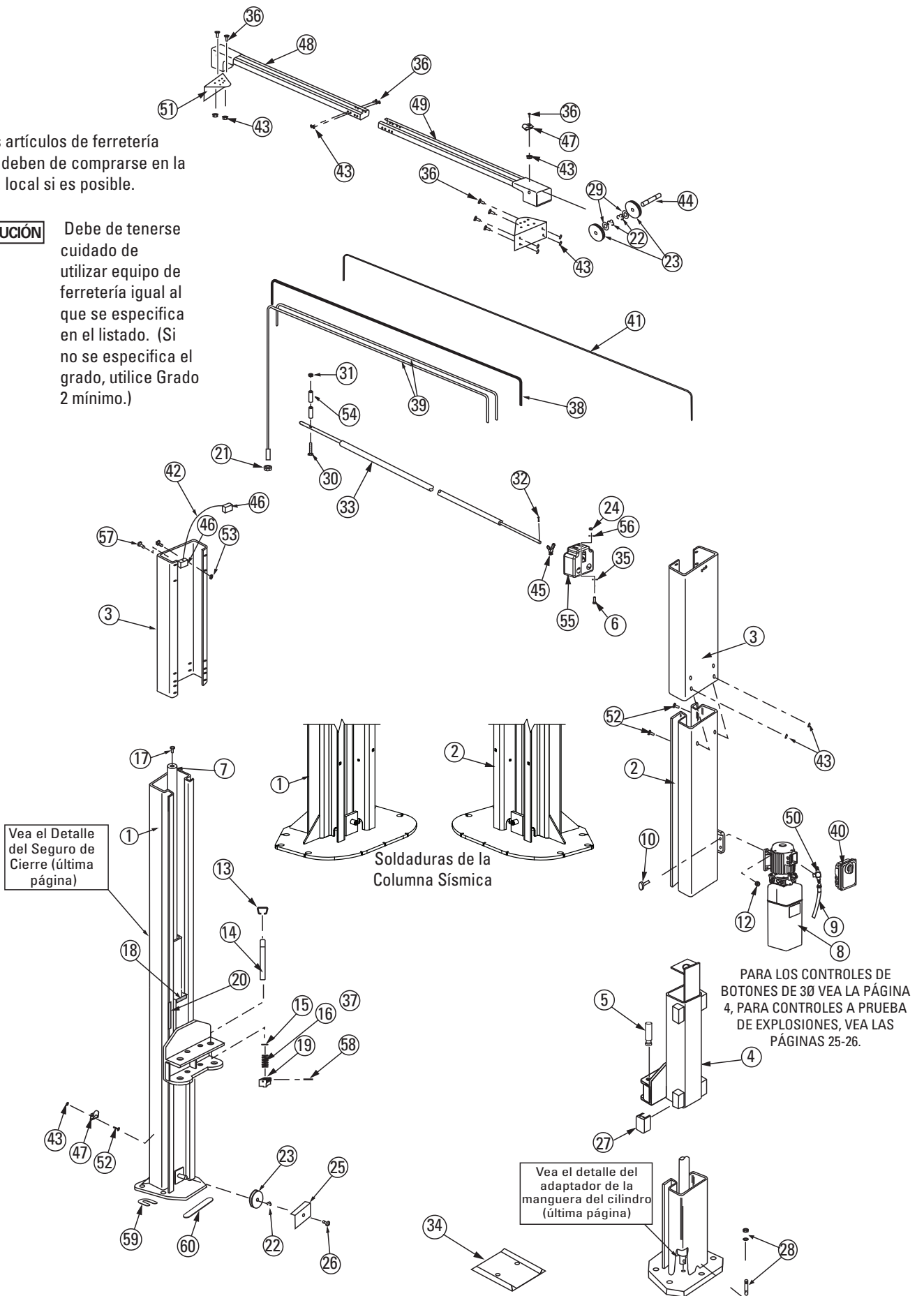
*Kit de restricción del brazo Kit (1 brazo) Incluye artículos 13, 14, 15, 16, 19 y 58. Incluye también engranajes de restricción y tornillos de sujeción (artículos 21, 22 y 23) de la sección de detalle del brazo.

**Dos diferentes unidades de energía se utilizaron. Por favor verifique su número de modelo antes de pedir las piezas.

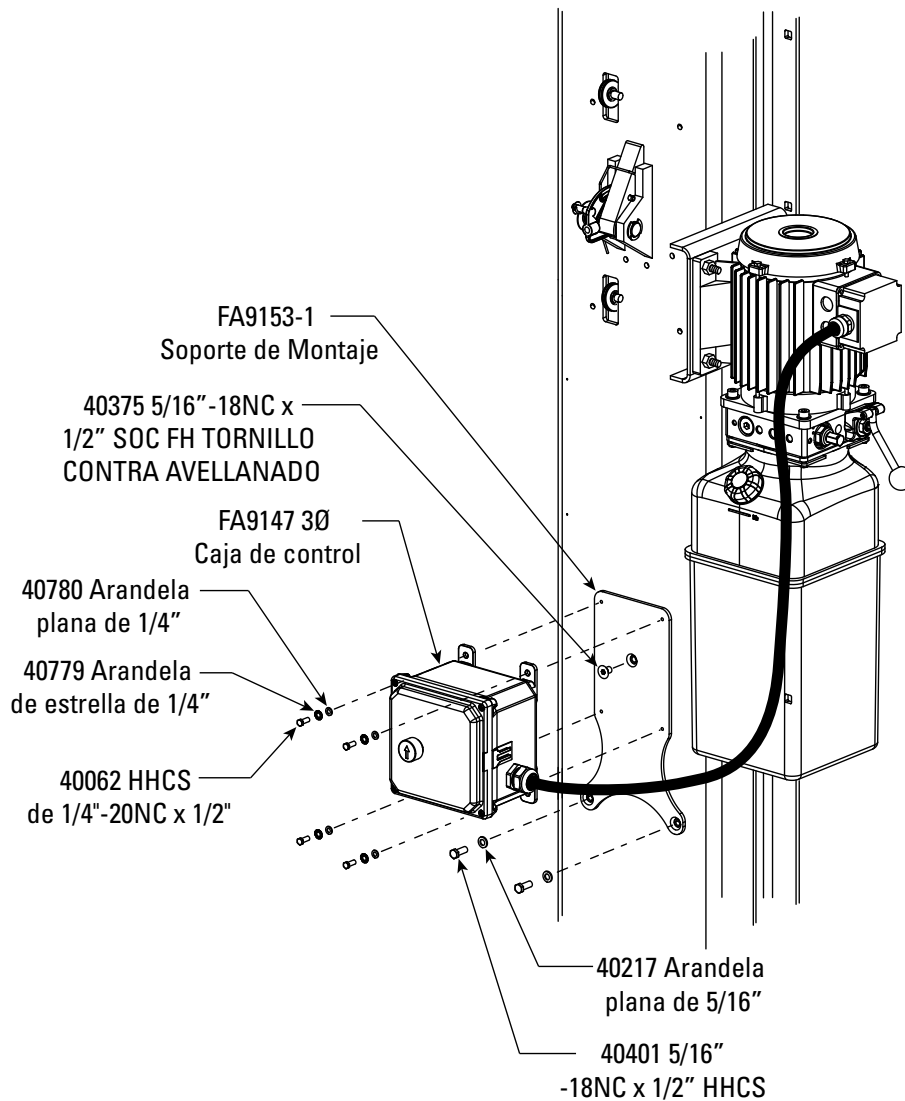
Nota: Los artículos de ferretería estándar deben de comprarse en la ferretería local si es posible.

PRECAUCIÓN

Debe de tenerse cuidado de utilizar equipo de ferretería igual al que se especifica en el listado. (Si no se especifica el grado, utilice Grado 2 mínimo.)

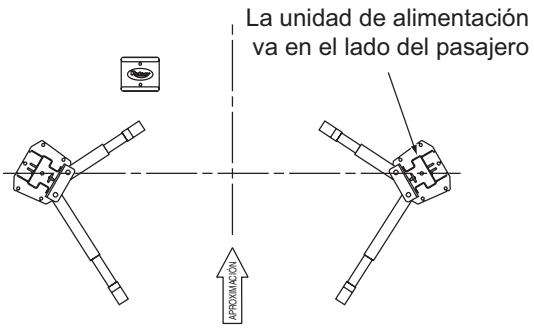


UNIDAD DE ENERGÍA DE 3Ø

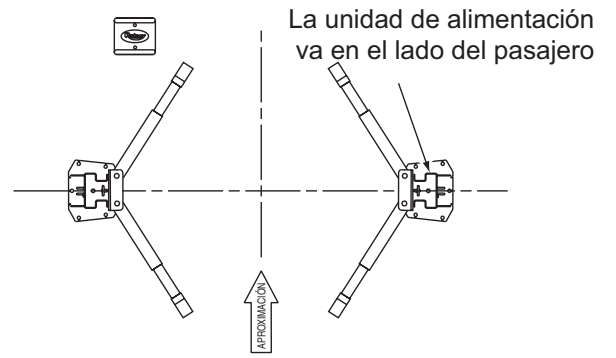


FA9147 Incluye artículos:	
FA9147-1	3Ø Gabinete de la caja de control con junta
FA9147-2	Contactador de 25 AMP, 3 polos con bobina de 480 voltios GE CR553AB3CAA
FA9147-6	Bobina del contactor Coil DB1AB 208-240 voltios para el contactor GE CR553A
FA9147-8	Botón de interruptor temporal con bloque de contacto
FA9147-9	Cable de 600 voltios 4 alambres de 42" de largo con terminales de anillo

FA9147-12	Bobina de 550-600 voltios Clavija GE PB1AD para elevadores de 575 voltios solamente
-----------	---



SPOA10 Vista de plano



SPOA10 Vista de plano

***Notas: ¿Serie 5TX, 5GX o 5BX?**

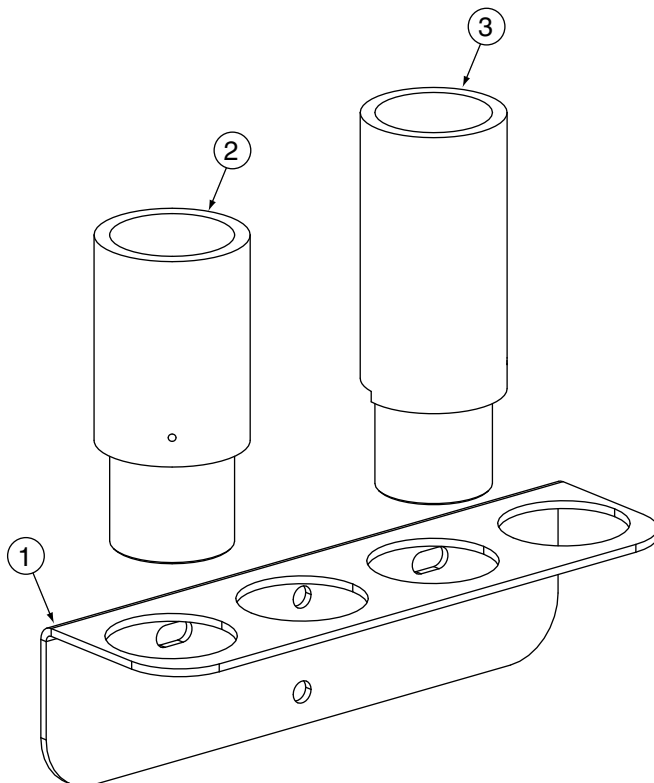
Para determinar si tiene brazos de la serie 5TX, 5GX o 5BX examine los **últimos (3) números en el final** de su número de modelo de elevador.

EJEMPLO: SPOA10N**5G5** es el modelo de la **Serie 5GX**.



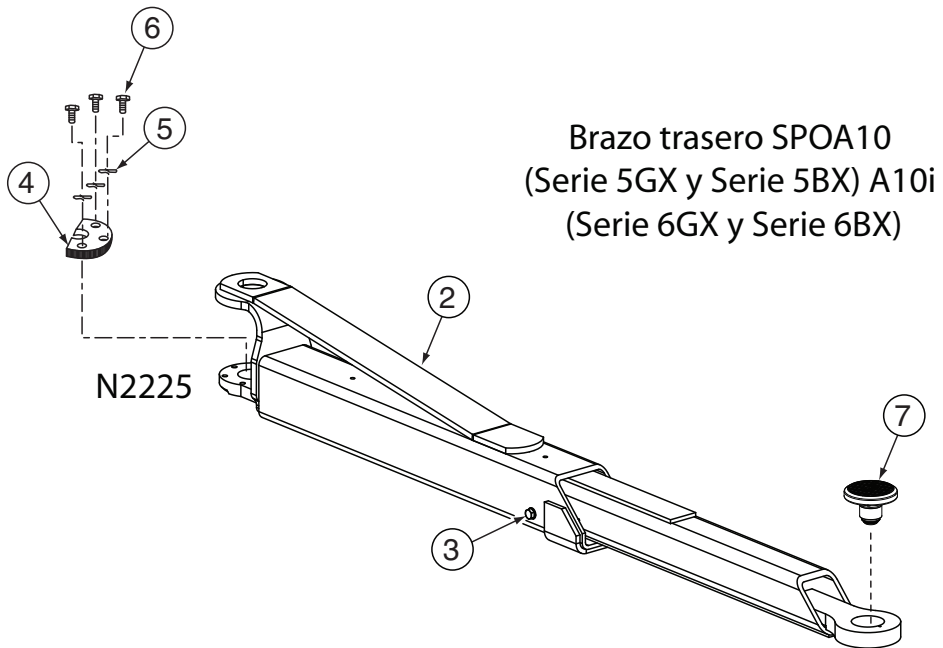
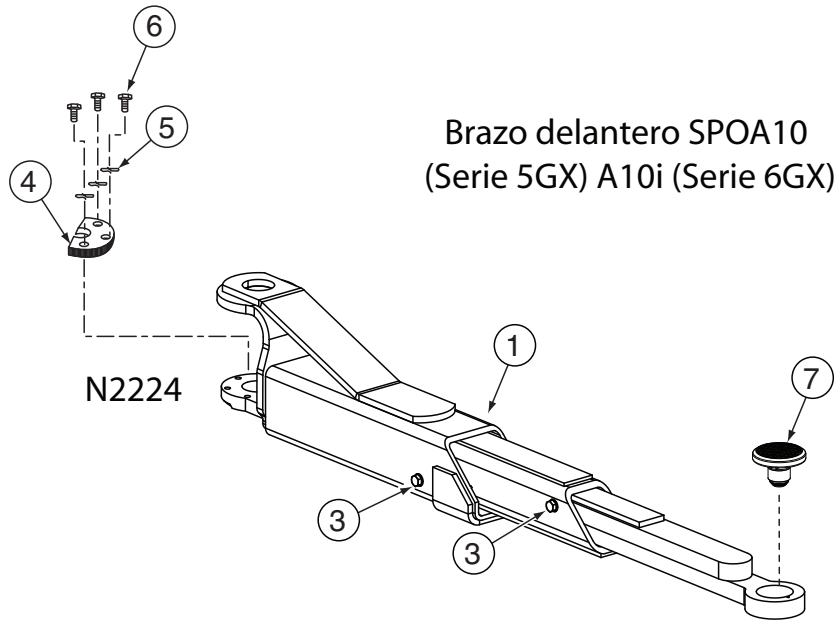
El número de modelo se encuentra en la etiqueta en el lado del elevador.

La "X" es un número variable utilizado para ocupar el lugar del último número real en la etiqueta del número de modelo de su elevador.



1.	Estante del Adaptador	FJ6127
2.	Extensión del Adaptador de 3-1/2" (90mm)	FJ6171-1
3.	Extensión del Adaptador de 5-1/4" (130mm)	FJ6171-2

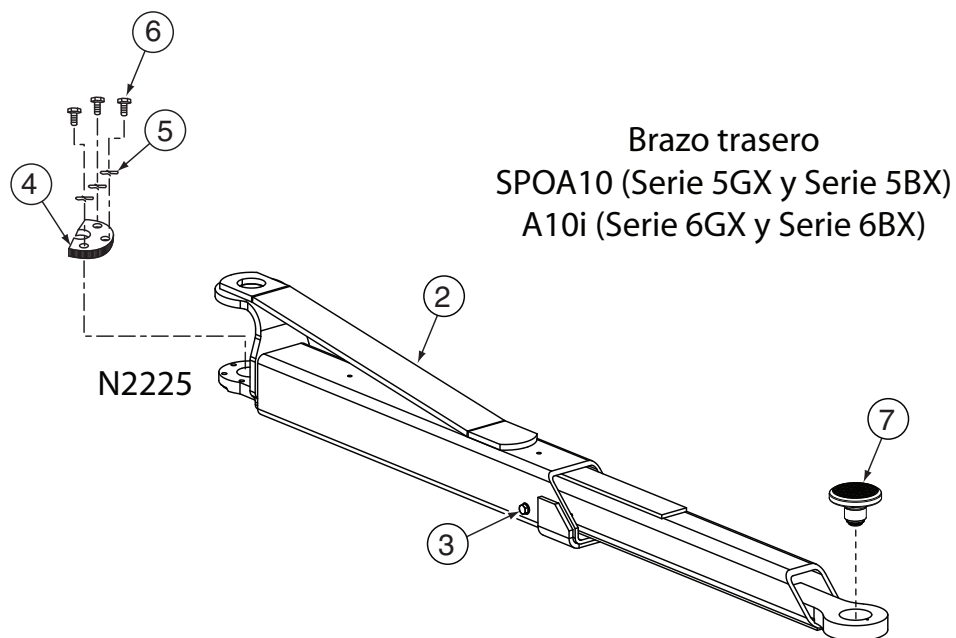
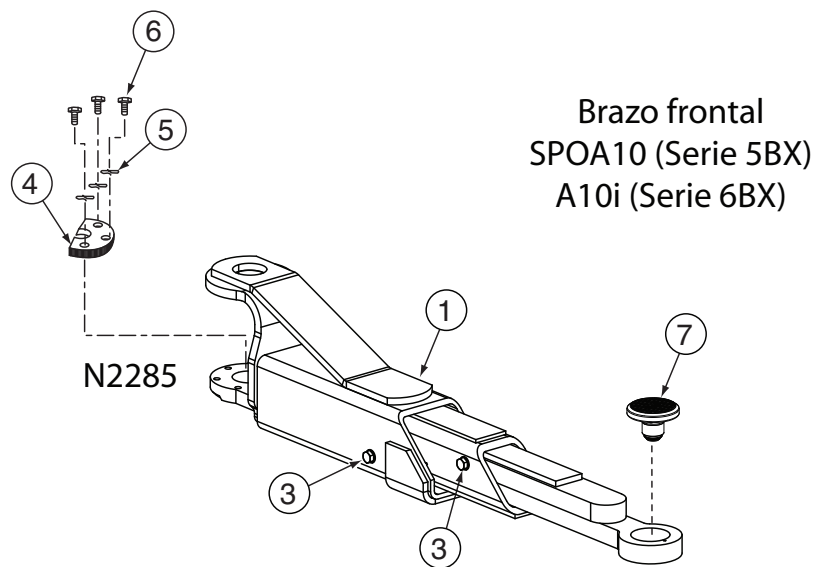
Detalle del brazo



1.	Brazo frontal	
	SPOA10 (Serie 5GX)	*N2224
2.	Brazo trasero	
	SPOA10 (Serie 5GX) y (Serie 5BX)	*N2225
3.	Ensamble del tope	N219
4.	Engranaje de los brazos de retención	N2122

5.	Arandelas de resorte de 3/8" (para elevadores con barra de rodamientos cónicos)	40818
6.	3/8"-16NC x 1-1/2" HHCS Grado 5	40201
7.	Ensamble del adaptador de bajo perfil	FJ6202
	Plataforma de Goma	FJ6202-3

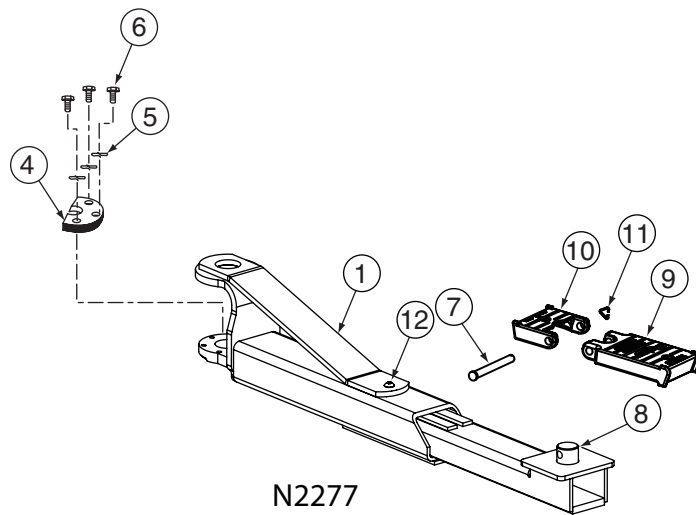
Detalle del brazo



1.	Brazo frontal	
	SPOA10 (Serie 5BX)	*N2285
2.	Brazo trasero	
	SPOA10 (Serie 5GX) y (Serie 5BX)	*N2225
3.	Ensamble del tope	N219
4.	Engranaje de los brazos de retención	N2122

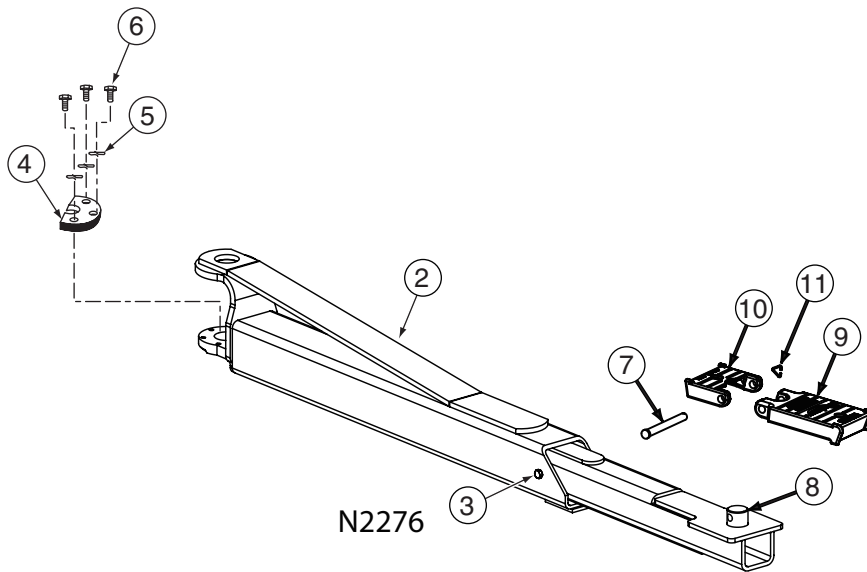
5.	Arandelas de resorte de 3/8" (para elevadores con barra de rodamientos cónicos)	40818
6.	3/8"-16NC x 1-1/2" HHCS Grado 5	40201
7.	Ensamble del adaptador de bajo perfil	FJ6202
	Plataforma de Goma	FJ6202-3

Detalle del brazo



N2277

Brazo frontal
SPOA10 (Serie 70X)
A10i (Serie 70X)



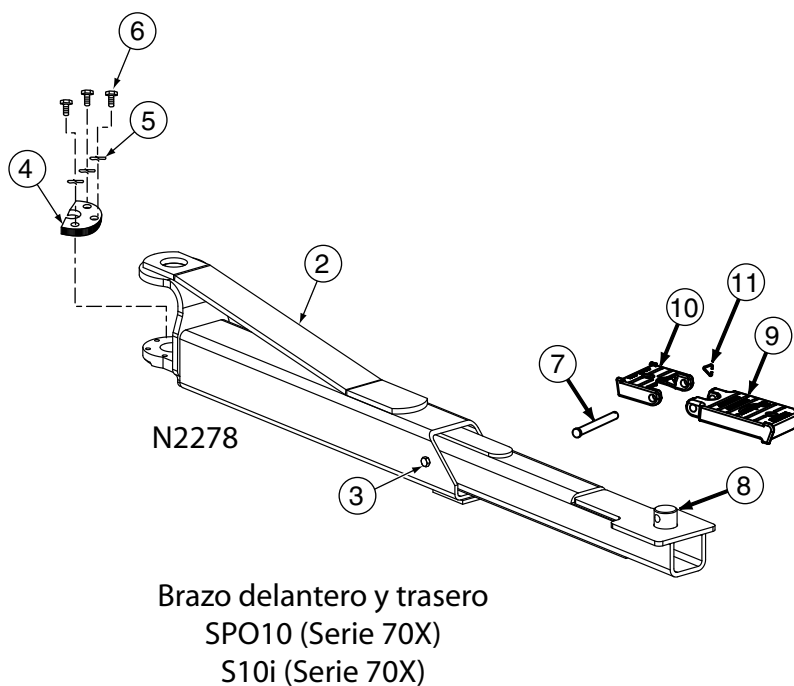
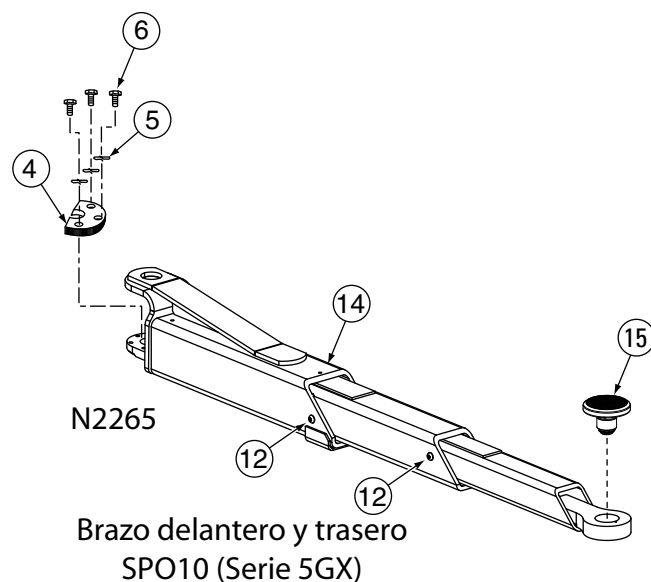
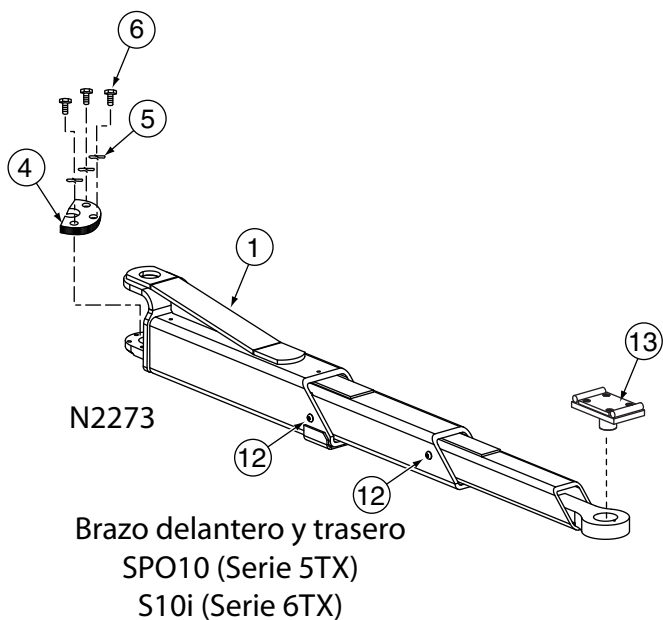
N2276

Brazo frontal
SPOA10 (Serie 70X)
A10i (Serie 70X)

1.	Brazo frontal SPOA10 (Serie 70X)	*N2277
2.	Brazo trasero SPOA10 (Serie 70X)	*N2276
3.	Tope 3/8"-16NC x 1/2" Lg. HHCS	40126
4.	Engranaje de los brazos de retención	N2122
5.	Arandelas de resorte de 3/8" (para elevadores con barra de rodamientos cónicos)	40818

6.	3/8"-16NC x 1-1/2" HHCS Grado 5	40201
7.	Perno del Adaptador	FJ6179
8.	Perno para Adaptador Giratorio	FJ79-6
9.	Adaptador de Paso Alto	FJ6177
10.	Adaptador de Paso Bajo	FJ6178
11.	Anillo de Retención de 3/32" Para Eje de 1/2" (se necesitan 8)	FJ671-6
12.	Tope delantero (M10 x 1,5 x 20mm BHCS)	41650

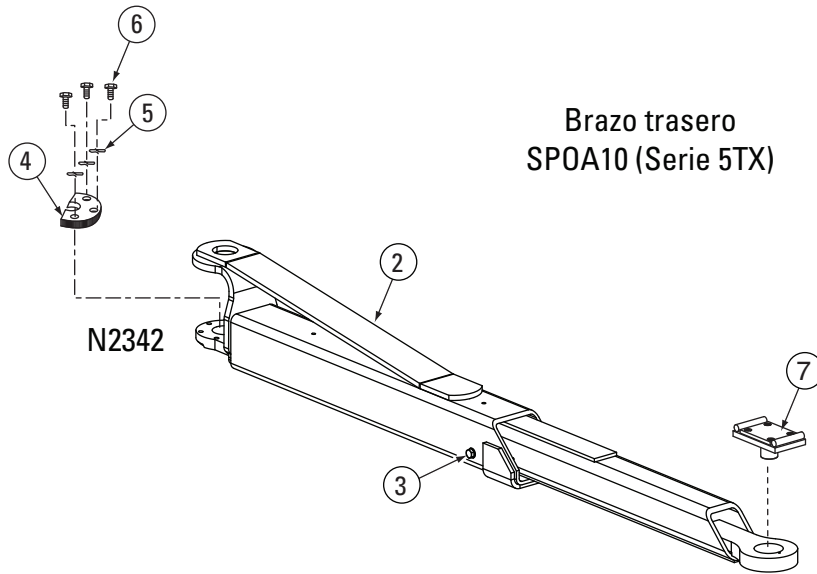
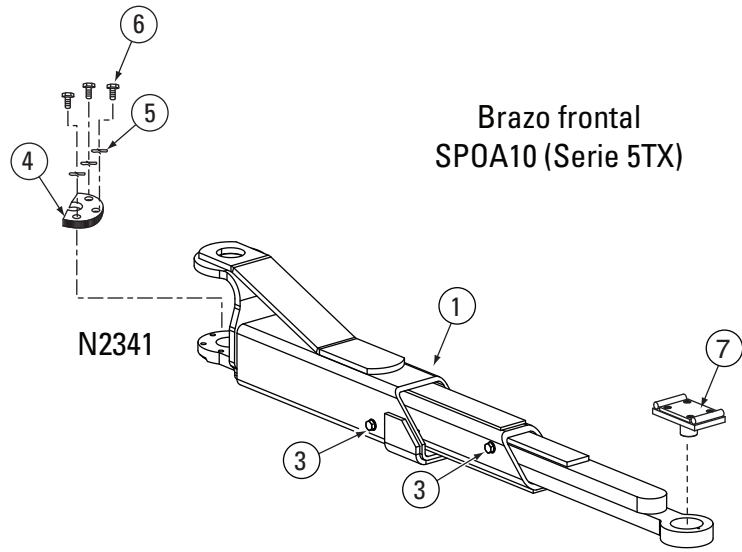
Detalle del brazo



1.	Brazo delantero y trasero SPO10 (Serie 5TX)	*N2273
2.	Brazo trasero SPO10 (Serie 70X)	*N2278
3.	Tope 3/8"-16NC x 1/2" Lg. HHCS	40126
4.	Engranaje de los brazos de retención	N2122
5.	Arandelas de resorte de 3/8" (para elevadores con barra de rodamientos cónicos)	40818
6.	3/8"-16NC x 1-1/2" HHCS Grado 5	40201
7.	Perno del Adaptador	FJ6179
8.	Perno para Adaptador Giratorio	FJ79-6
9.	Adaptador de Paso Alto	FJ6177
10.	Adaptador de Paso Bajo	FJ6178

11.	Anillo de Retención de 3/32" Para Eje de 1/2" (se necesitan 8)	FJ671-6
12.	Tope delantero (M10 x 1,5 x 20mm BHCS)	N2264-15
13.	Ensamble del adaptador (SPO10) para brazos de 3 etapas Plataforma de Goma	FJ6214 FJ6158-4
14.	Brazo delantero y trasero SPO10 (Serie 5GX)	*N2265
15.	Ensamble del adaptador de bajo perfil Plataforma de Goma	FJ6202 FJ6202-3

Detalle del brazo



1.	Brazo frontal SPOA10 (Serie 5TX)	*N2341
2.	Brazo trasero SPOA10 (Serie 5TX)	*N2342
3.	Ensamble del tope	N219
4.	Engranaje de los brazos de retención	N2122

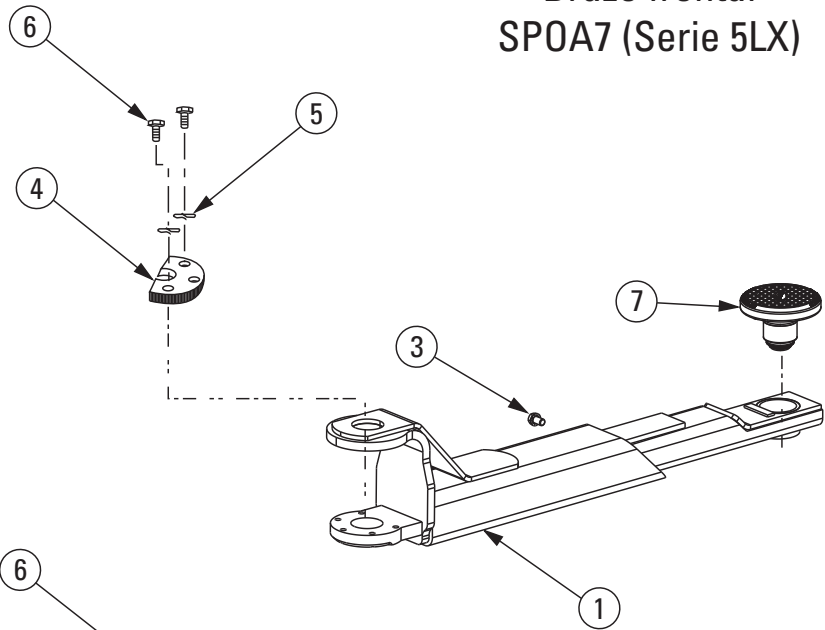
5.	Arandelas de resorte de 3/8" (para elevadores con barra de rodamientos cónicos)	40818
6.	3/8"-16NC x 1-1/2" HHCS Grado 5	40201
7.	Ensamble del adaptador para brazos de 3 etapas	FJ6214
	Plataforma de Goma	FJ6158-4

Detalle del brazo SPOA7 para brazo de bajo perfil

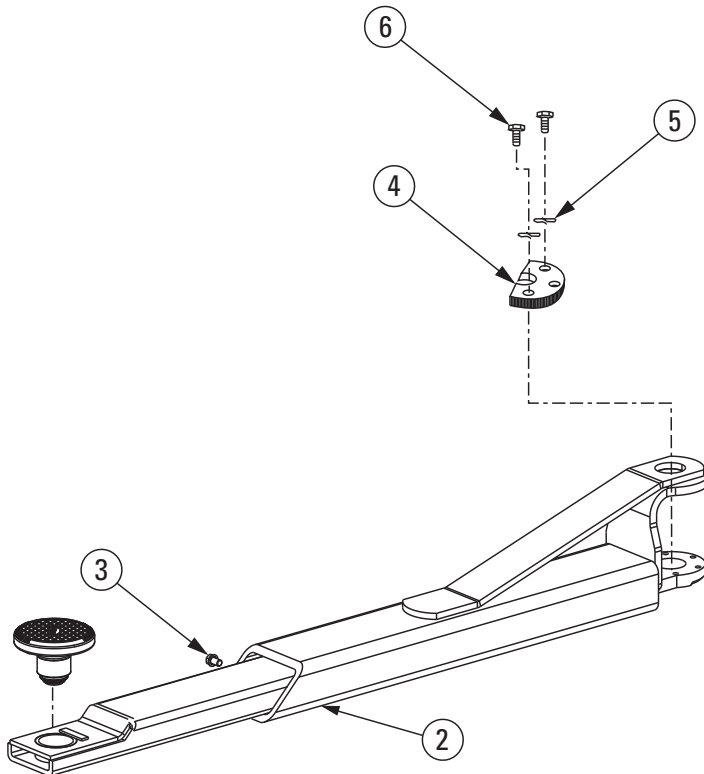
1.	Brazo frontal SPOA10 (Serie 5TX)	*N2295
2.	Brazo trasero SPOA10 (Serie 5TX)	*N2294
3.	Ensamble del tope	N219
4.	Engranaje de los brazos de retención	N2122

5.	Arandelas de resorte de 3/8" (para elevadores con barra de rodamientos cónicos)	40818
6.	3/8"-16NC x 1-1/2" HHCS Grado 5	40201
7.	Ensamble del adaptador para brazos de 3 etapas Plataforma de Goma	FJ6202 FJ6202-3

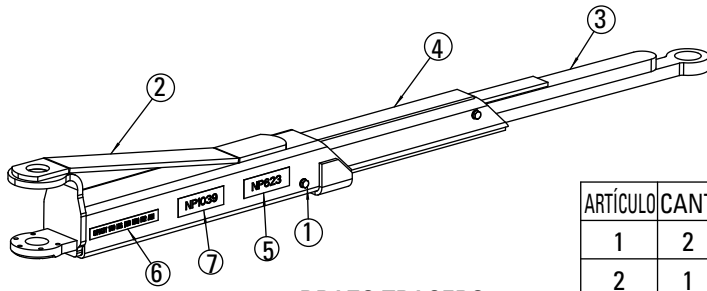
Brazo frontal
SPOA7 (Serie 5LX)



Brazo trasero
SPOA7 (Serie 5LX)

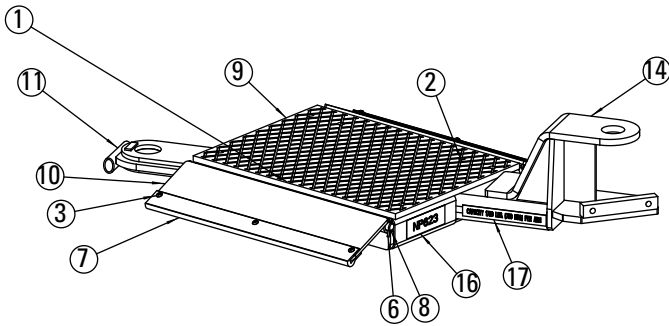


Detalle del brazo SPOA7 híbrido

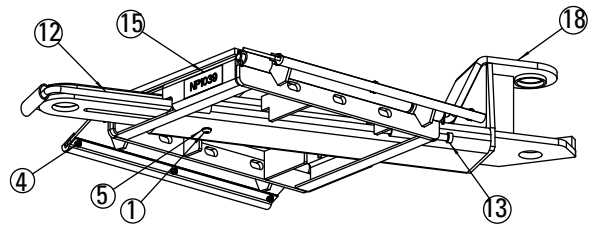


BRAZO TRASERO

ARTÍCULO	CANT.	PIEZA NO.	DESCRIPCIÓN
1	2	N219	ENSAMBLE DEL TOPE
2	1	N2336-1	SOLDADURA DEL BRAZO EXTERNO DE 3 ETAPAS 7K
3	1	N2336-2	SOLDADURA DEL BRAZO INTERNO DE 3 ETAPAS 7K
4	1	N2336-3	SOLDADURA DEL BRAZO MEDIO DE 3 ETAPAS 7K
5	2	NP623	SIEMPRE USE LA PLACA DE IDENTIFICACIÓN DEL ADAPTADOR
6	2	NP874	PLACA DE IDENTIFICACIÓN DE CAPACIDAD
7	2	NP1039	USE LA PLACA DE IDENTIFICACIÓN DEL ADAPTADOR PARA CAMIÓN



PLATAFORMA IZQUIERDA

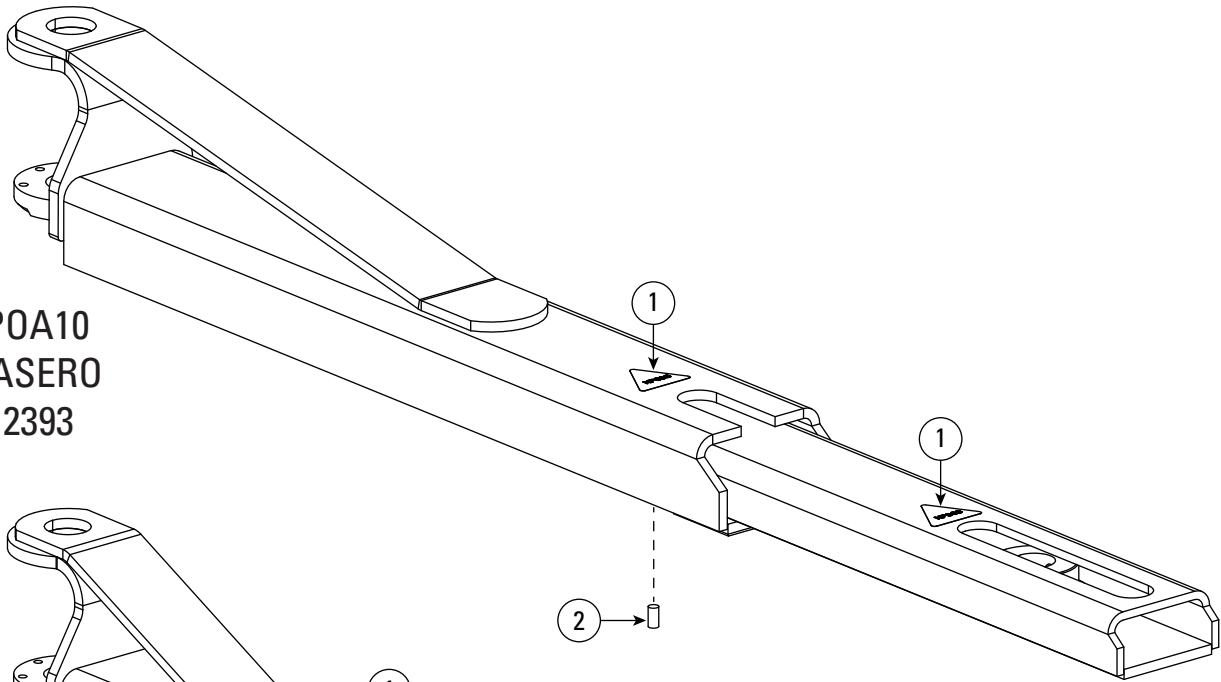


PLATAFORMA DERECHA

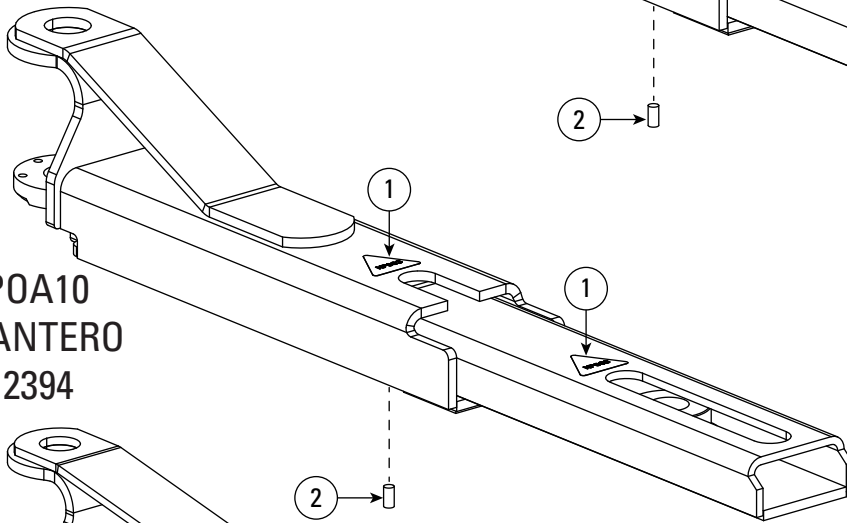
ARTÍCULO	CANT.	PIEZA NO.	DESCRIPCIÓN
1	1	40157	BHCS DE CABEZA HUECA DE 3/8"-16NC x 3/4" de largo GRD2
2	4	40174	REMACHE CIEGO 1/4 x 0,475 McMASTER-CARR #97517A651 o EQUIVALENTE
3	6	40192	#10-24NC x 3/4" Largo TORNILLO PHILLIPS DE CABEZA CÓNICA, CROMADO
4	6	40633	TUERCAS DE SEGURIDAD HEXAGONALES BRIDADAS DE #10-24NC
5	1	40843	LW DIENTES INT 3/8", CROMADO
6	4	41202	CLAVIJA CON CHAVETA LARGA 5/32" x 1"
7	2	FC134-33	DESLIZAMIENTO DE CUÑA DE RAMPA
8	2	FC5179-5	CLAVIJA
9	1	FJ2494	PLATAFORMA DELANTERA PLATAFORMA DE GOMA
10	2	N2249	SOLDADURA DE PLATAFORMA DE LA RAMPA DEL ELEVADOR 2 POSTES
11	1	N2338-6	SOLDADURA DEL BRAZO INTERNO DE PLATAFORMA DELANTERA
12	1	N2338-13	BARRA ACCIONADORA DEL BRAZO INTERNO DE PLATAFORMA DELANTERA
13	1	N2338-16	TORNILLO MINIATURA DE LA VARILLA DEL ACTUADOR DEL BRAZO INTERNO
14	1	N2339-1	SOLDADURA DE LA PLATAFORMA DELANTERA IZQUIERDA
15	1	NP1039	PLACA DE IDENTIFICACIÓN DEL ADAPTADOR PARA CAMIÓN
16	1	NP623	PLANCA DE IDENTIFICACIÓN DEL ADAPTADOR DE LA PLATAFORMA DE GOMA
17	1	NP874	PLACA DE IDENTIFICACIÓN DE CAPACIDAD DE 1750 LBS.
18	1	N2338	SOLDADURA DE LA PLATAFORMA DELANTERA DERECHA

Detalle de brazos de la Serie 800

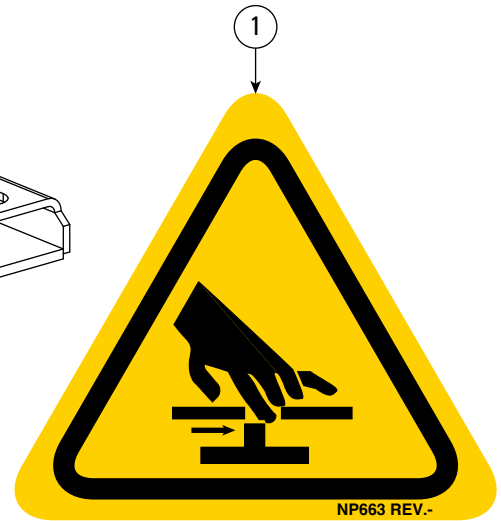
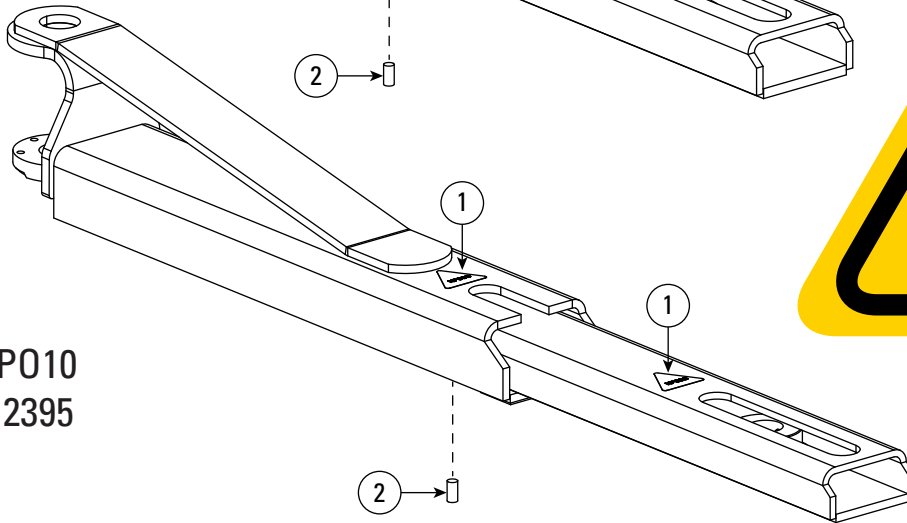
SPOA10
TRASERO
N2393



SPOA10
DELANTERO
N2394

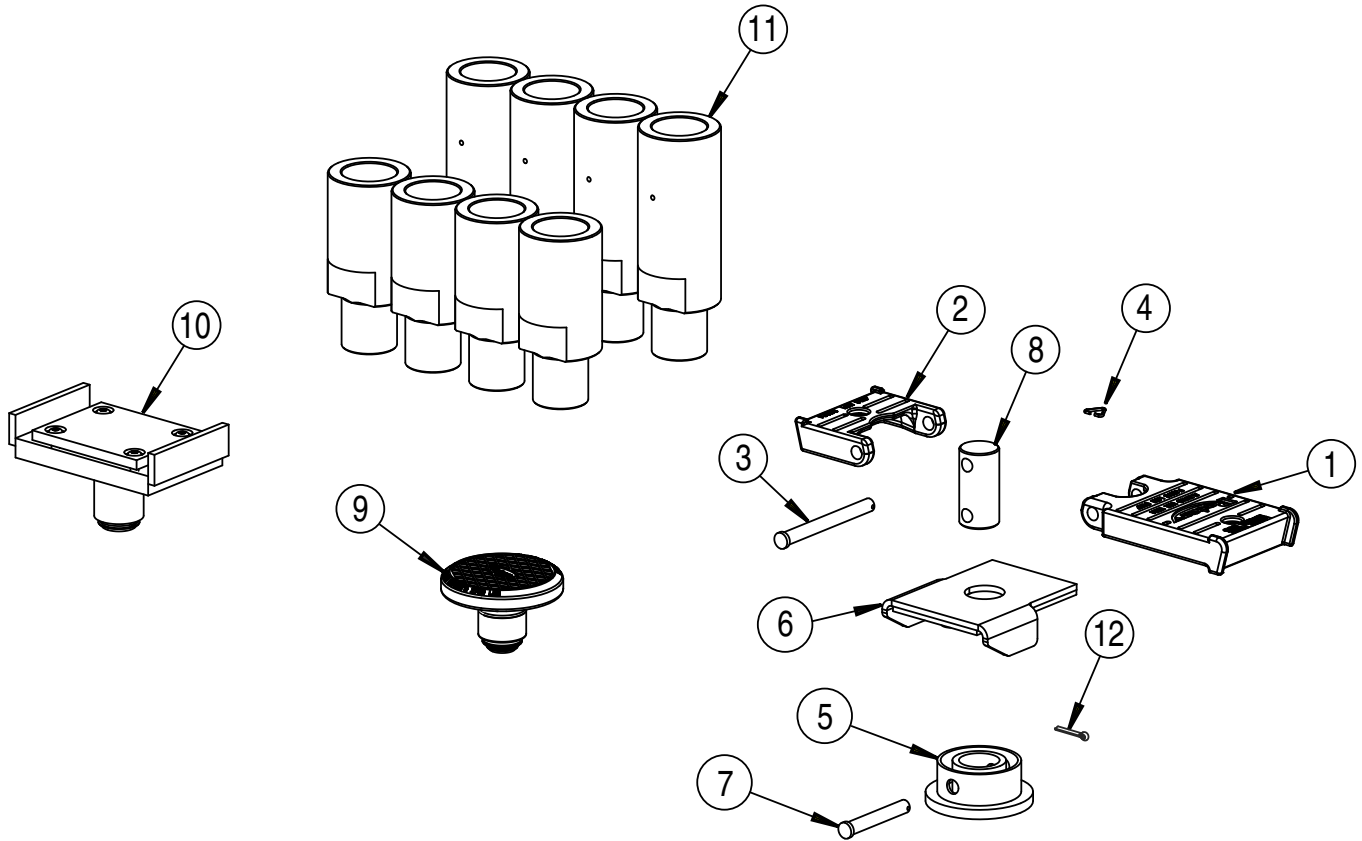


SP010
N2395



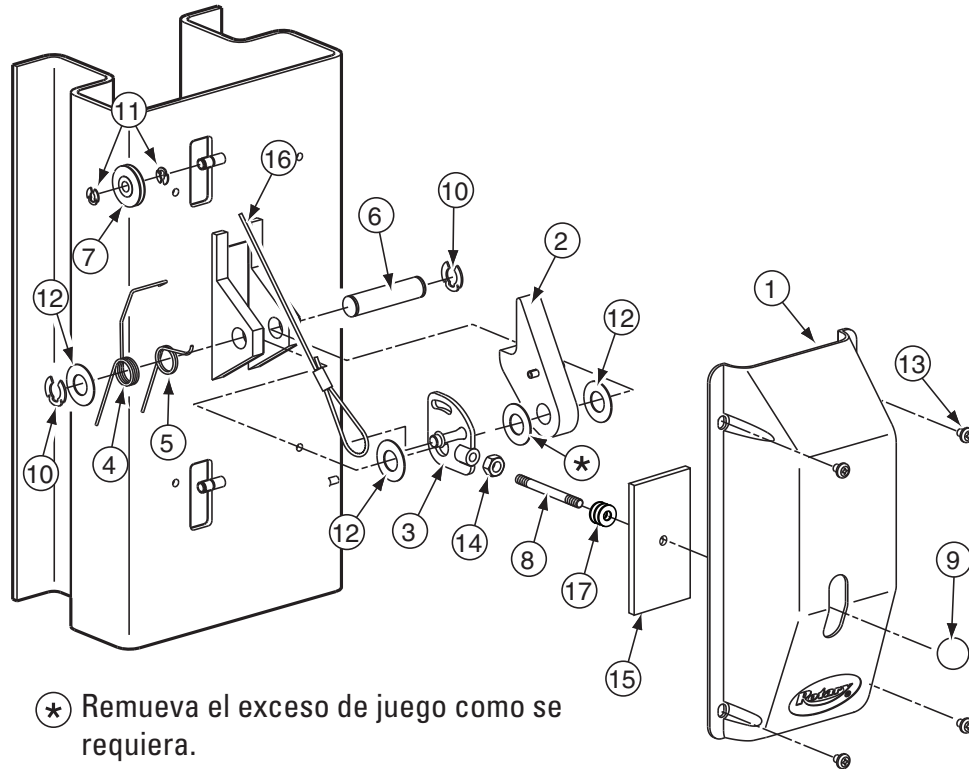
1.	Etiqueta De Punto De Pellizco	NP663
2.	3/8-16 x 3/4" Tornillo De Ajuste**	40319
	1/2-13 x 3/4" Tornillo De Ajuste**	41746
**El número de pieza del tornillo de fijación depende de la versión específica		

Detalle opcional de la Serie 800



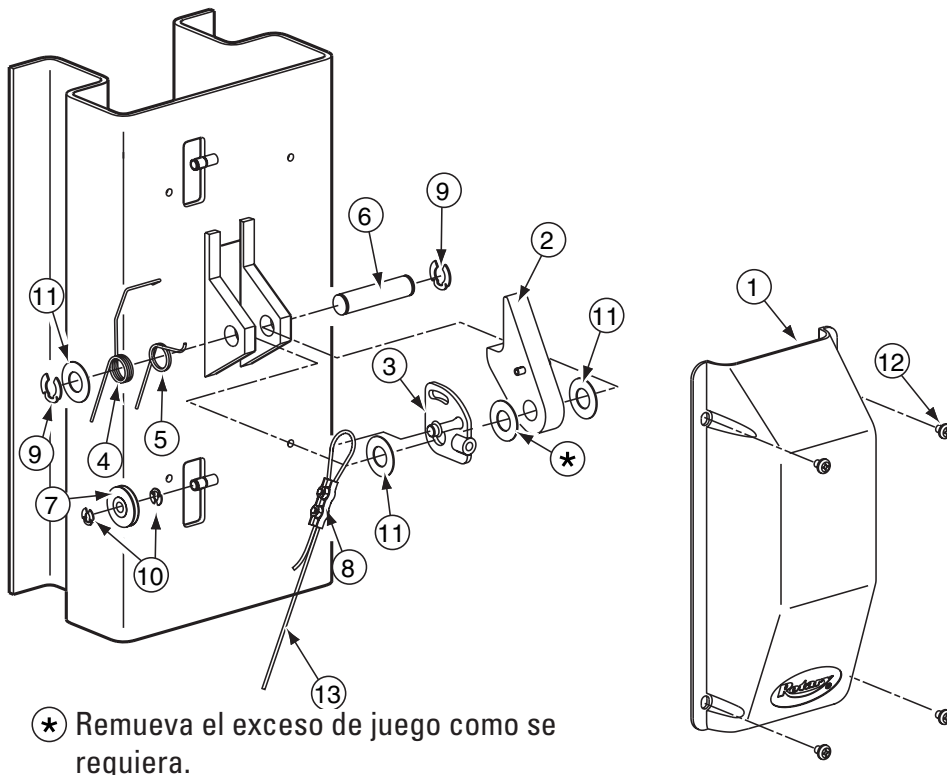
ARTÍCULO	DESCRIPCIÓN	PARTE
1	Adaptador de Paso Alto	FJ6177
2	Adaptador de Paso Bajo	FJ6178
3	Perno del Adaptador	FJ6179
4	Anillo de retención de 3/32" para eje de 1/2"	FJ671-6
5	Inserto del adaptador	T120309
6	Soldadura de la placa de carga	FJ6233
7	Perno de inserto del adaptador	T130669
8	Perno giratorio	T130668
9	Adaptador RA redondo de bajo perfil	FJ6219
10	Adaptador de camiones	T110564
11	Equipo de Adaptador de Extensión (Vendido por Separado)	T100271
12	Pasador de bifurcación 7/64" x 3/4"	41205

Detalle del Seguro de Cierre (Columna Derecha)



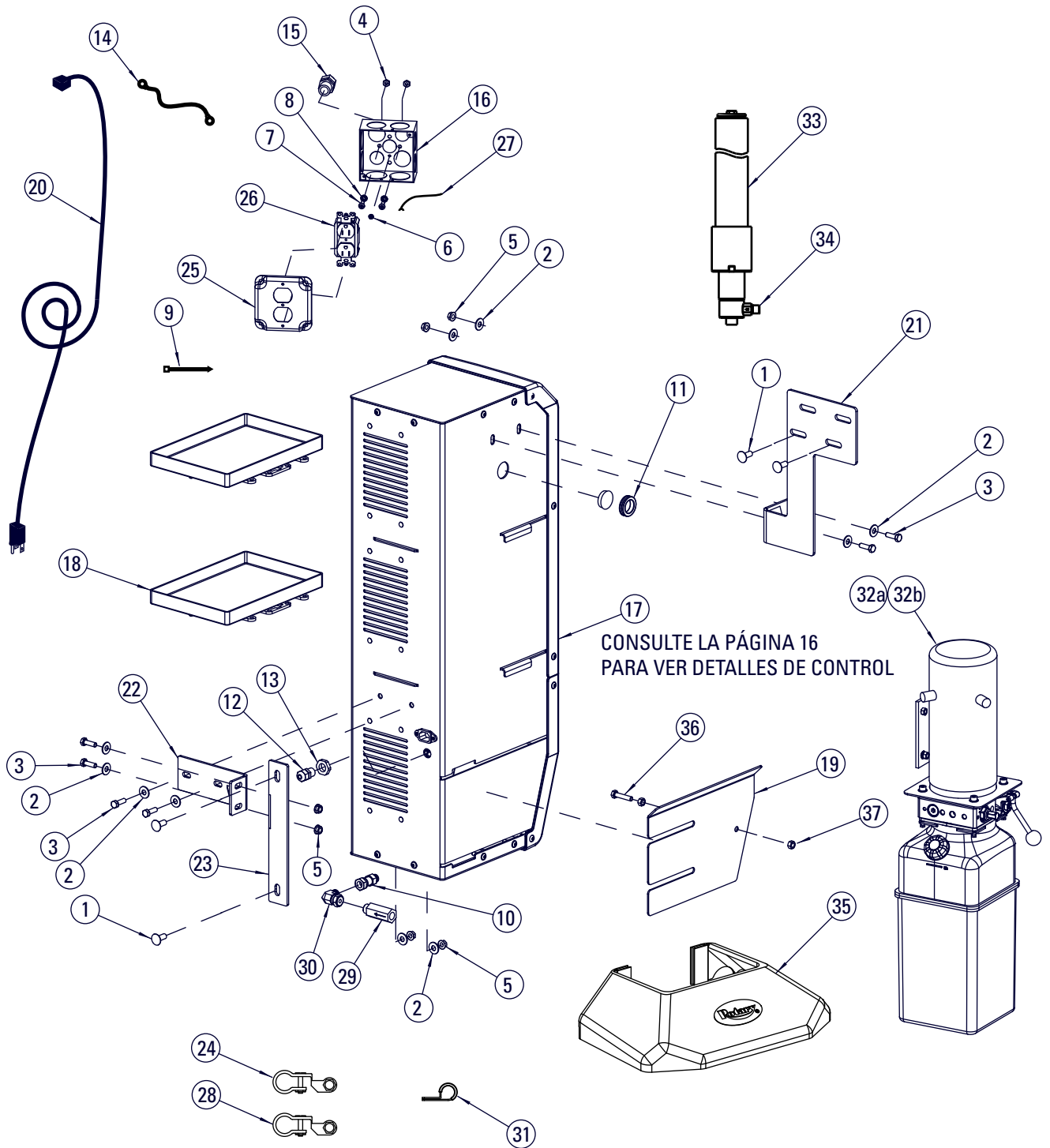
ELEMENTO	DESCRIPCIÓN	N.º DE PIEZA
1.	Cubierta del Control Lateral	FJ7452
2.	Seguro de Cierre Macho	N616
3.	Placa de Control	FJ7594-2
4.	Resorte	FJ7566-10
5.	Resorte	FJ7382-9
6.	Eje del seguro	FJ7382-34
7.	Polea de Cierre Macho	FJ7322
8.	Mango	FJ7382-18
9.	Mango de bola	FC134-91
10.	Truarc Klipring #5304-75 para Eje 3/4"	41411
11.	Truarc Klipring #5304-37 para Eje 3/8"	41410
12.	1-1/2" O.D. x 3/4" I.D. x .045" Cojinete de Maquinaria	41388
13.	5/16-18NC x 3/8" largo PHMS	40227
14.	3/8" - 16NC Tuerca Hexagonal de Seguridad	40658
15.	Cubierta de la Ranura	N617
16.	Cable de Cierre Macho	FJ7600
17.	Arandela plana de 3/8"	40820

Detalle del Seguro de Cierre (Columna Izquierda)



ELEMENTO	DESCRIPCIÓN	N.º DE PIEZA
1.	Cubierta del seguro	FJ7451
2.	Seguro de Cierre Macho	N616
3.	Placa de Control	FJ7594-2
4.	Resorte	FJ7566-10
5.	Resorte	FJ7382-9
6.	Eje del seguro	FJ7382-34
7.	Polea de Cierre Macho	FJ7322
8.	Abrazadera del Cable de Seguridad.....	N63-1
9.	Truarc Klipring #5304-75 para Eje 3/4"	41411
10.	Truarc Klipring #5304-37 para Eje 3/8"	41410
11.	1-1/2" O.D. x 3/4" I.D. x .045" Cojinete de Maquinaria..	41388
12.	5/16-18NC x 3/8" largo PHMS.....	40227
13.	Cable de Cierre Macho.....	FJ7600

Detalle de Shockwave

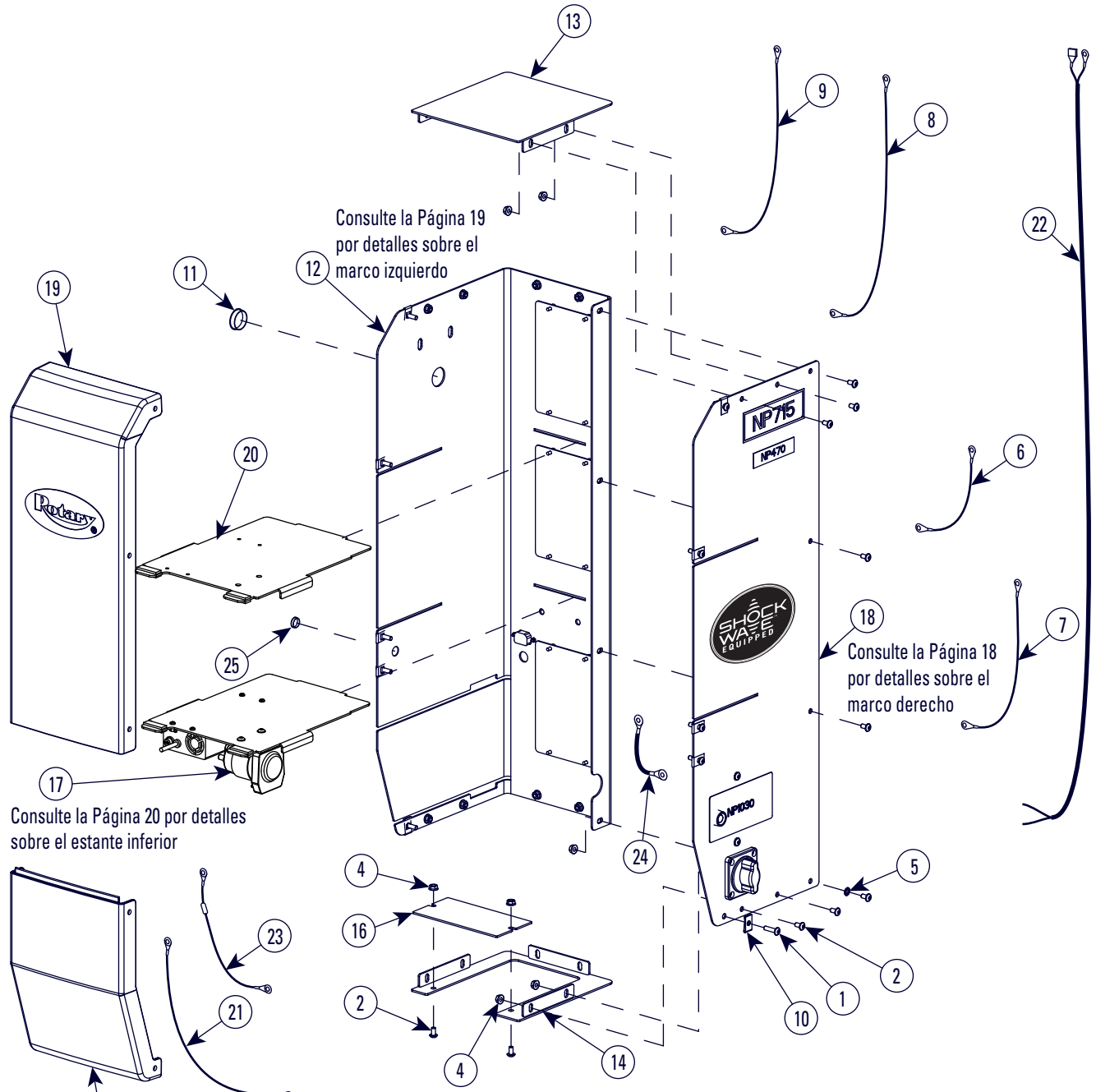


MONTAJE DE CONTROL CC

Detalle de Shockwave

ARTÍCULO	PIEZA NO.	DESCRIPCIÓN
1	40167	3/8"-16NC x 1" Largo PERNO DE FIJACIÓN, Gr. 5, ENCHAPADO
2	40217	ARANDELA PLANA 5/16" USS, PLTD
3	40221	TORNILLO DE CABEZA HEXAGONAL DE 5/16"-16NC x 1" DE LARGO, GRD5 CROMADO
4	40650	TUERCA N.º12-24NC CABEZA HEXAGONAL, CROMADA
5	40678	TUERCAS DE SEGURIDAD HEXAGONALES BRIDADAS DE 5/16"-18NC
6	FA997-1	TORNILLOS WHSFT HEXAGONALES N.º 10-32 x 1/4" DE LARGO, COLOR VERDE
7	41526	#12-24NC x 3/4" Largo PHMS PHIL., CROMADO
8	41527	DIENTE DE EXTENSIÓN N.º12, LW, CROMADOS
9	629888	CONECTOR DE CABLE TY-RAP, NYLON, NEGRO, 11 1
10	EFX60010319	ADAPTADOR, ROSCADO RECTO/GIRATORIO (ORB/ORFS 6X6)
11	FA7180-31	AISLANTE PARA CABLE
12	FA7189-14	ALIVIADOR DE TENSIÓN 3/8" NPT
13	FA7189-15	TUERCA DE SEGURIDAD NPT DE 3/8"
14	FA7616	CABLE DE BATERÍA - BATERÍA
15	FA7958-28	ASEGURADOR DE CABLE
16	FA997	CAJA DE CONEXIÓN
17	FA966	CONJUNTO DE CONTROL CC
18	FA966-16	BANDEJA DE LA BATERÍA
19	FA966-47	GABINETE DE BATERÍA CON PROTECTOR DE 2 POSTES
20	FA966-51	CABLE DE POTENCIA UNIVERSAL DE 10 PIES (NEMA 5-15P A IEC320C13)
21	FA966-55	SOLDADURA DE SOPORTE DE MONTAJE SUPERIOR DE GABINETE DE BATERÍA
22	FA966-56	SOLDADURA DE SOPORTE DE MONTAJE DE GABINETE DE BATERÍA
23	FA966-57	SOLDADURA DE SOPORTE DE COLUMNA DE MONTAJE DE GABINETE DE BATERÍA
24	FA979	EXTREMO DE TERMINAL DE BATERÍA POSITIVO
25	FA980-1	CAJA CUADRADA DE 4" DE CUBIERTA DE RECEPTÁCULO DÚPLEX
26	FA980-2	RECEPTÁCULO HEMBRA DÚPLEX
27	FA980-3	CABLE A TIERRA
28	FA981	EXTREMO DE TERMINAL DE BATERÍA NEGATIVO
29	FJ71003	REGULADOR DE FLUJO
30	FJ71007	CODO GIRATORIO ORFS MACHO X ORFS HEMBRA
31	FJ7669	ABRAZADERA DE MANGUERA DE COLUMNA
32a.	P3577	UNIDAD DE POTENCIA CC - ELEVADOR DE ALMOHADILLA
32b	P3579	UNIDAD DE POTENCIA CC - BRAZO DEL ELEVADOR
32c	P3586	UNIDAD DE POTENCIA CC - SPO12
33	N3151Y	CILINDRO HIDRÁULICO
34	FJ7352-3	ADAPTADOR
35	N539	CUBIERTA DE LA PLACA BASE (PARA LOS MODELOS SPOA10 Y SPO10 SOLAMENTE)
36	40271	PERNO ROSCADO COMPLETO DE 5/16"-18NC x 1-1/2"
37	40670	TUERCAS HEXAGONALES DE 5/16"-18NC

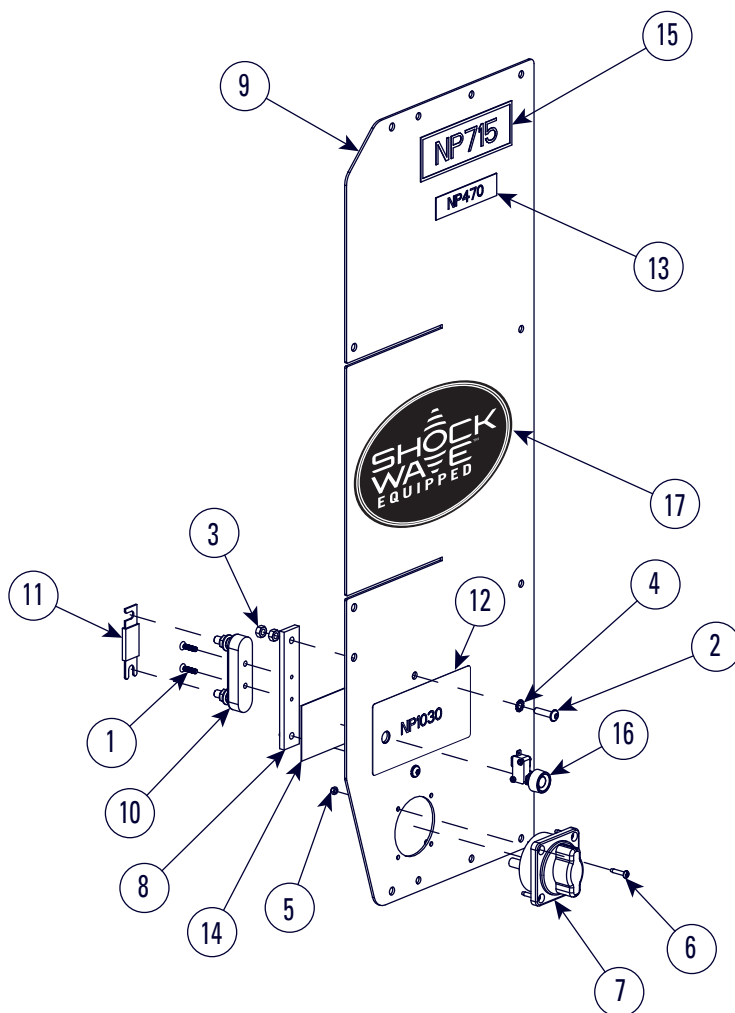
Detalle de Shockwave



Detalle de Shockwave

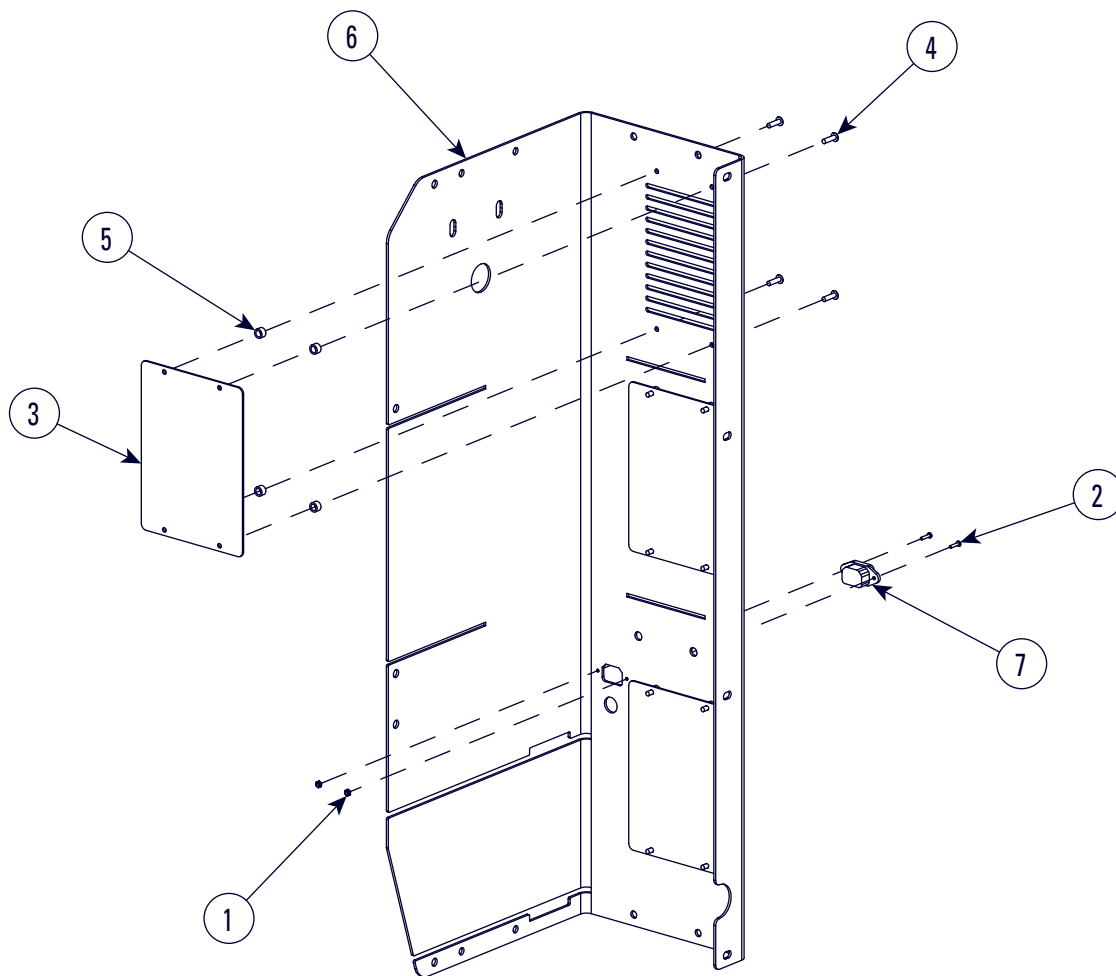
CONTROL CC		
ARTÍCULO	PIEZA NO.	DESCRIPCIÓN
1	40077	Tornillo allen de cabeza hueca hexag. bridados de 1/4"-20NC x 1" de largo, GRADO 2
2	40094	Tornillo allen de cabeza hueca hexag. bridados de 1/4"-20NC x 1" de largo
3	NA	NA
4	40641	TUERCAS DE SEGURIDAD HEXAGONALES BRIDADAS DE 1/4"-20NC, CROMADAS
5	40779	DIENTE EXT. DE 1/4" LW
6	FA7618	DESCONECTAR: CABLE DE FUSIBLE
7	FA7619	FUSIBLE: CABLE DEL CONTACTOR
8	FA7667	BATERÍA- DESCONECTAR CABLE
9	FA7668	BATERÍA- DESCONECTAR CABLE
10	FA966-22	TUERCA A PRESIÓN
11	FA966-34	TAPÓN DE ORIFICIO DE 1-1/4"
12	FA966-37	CONJUNTO DE MARCO IZQUIERDO DE GABINETE DE BATERÍA
13	FA966-39	SOLDADO DE CUBIERTA SUPERIOR DEL GABINETE DE BATERÍA
14	FA966-42	SOLDADO DE CUBIERTA SUPERIOR DEL GABINETE DE BATERÍA
15	FA966-45	CUBIERTA INFERIOR DELANTERA DEL GABINETE DE BATERÍA
16	FA966-46	CUBIERTA INFERIOR DELANTERA DEL GABINETE DE BATERÍA
17	FA966-48	CONJUNTO DE ESTANTE INFERIOR DE GABINETE DE BATERÍA
18	FA986-1	MARCO DERECHO DE GABINETE DE BATERÍA
19	FA966-50	CONJUNTO DE CUBIERTA SUPERIOR DELANTERO DEL GABINETE DE BATERÍA
20	FA966-58	SOLDADURA DE ESTANTE DE GABINETE DE BATERÍA
21	FA970	ARNÉS DEL CONTACTOR
22	FA971	ARNÉS SUPERIOR
23	FA978	DESCONECTAR ARNÉS
24	FA982	CABLE A TIERRA
25	FA966-60	TAPÓN DEL ORIFICIO TRANSPARENTE

Detalle de Shockwave



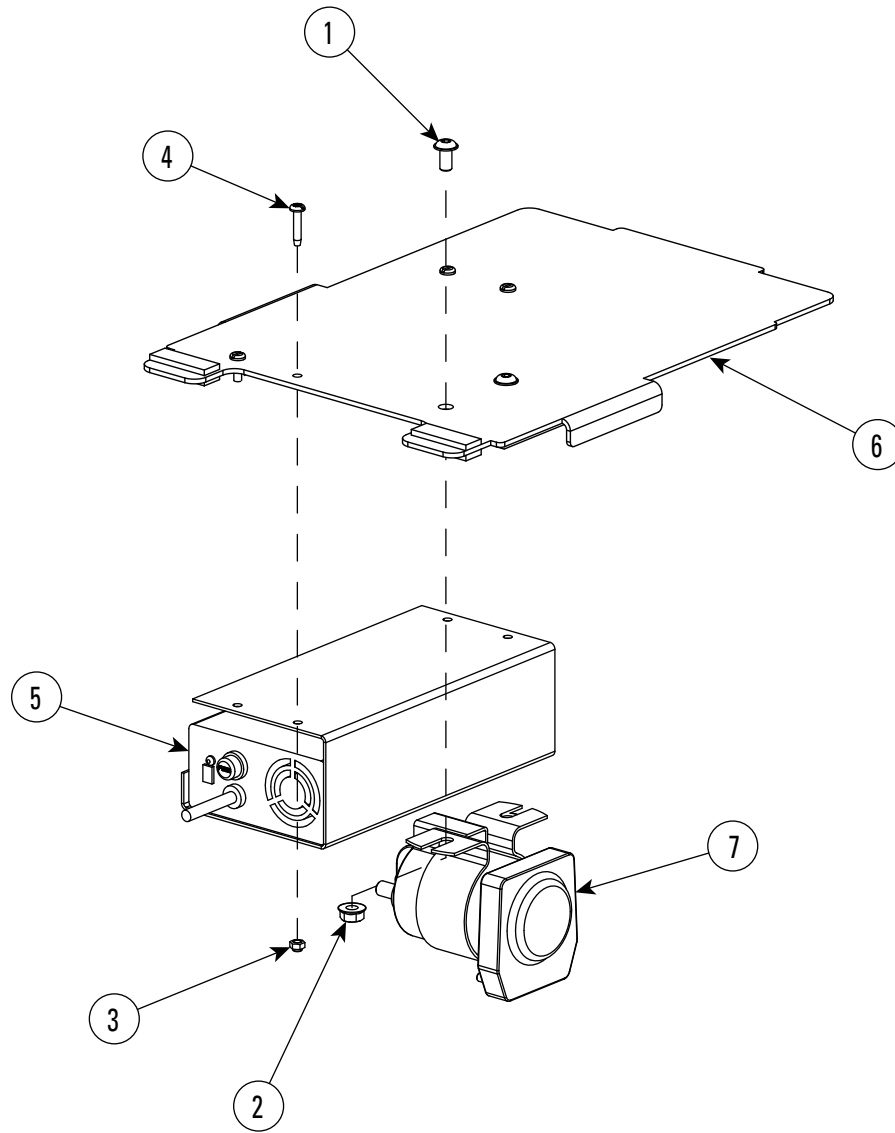
CONJUNTO DE MARCO DERECHO		
ARTÍCULO	PIEZA NO.	DESCRIPCIÓN
1	40004	#10-24 x 5/8 PFHMS, McMASTER-CARR # 90471A315 o similares
2	40077	Tornillo allen de cabeza hueca hexag. bridados de 1/4"-20NC x 1" de largo, GRADO 2
3	40627	TUERCA HEXAGONAL 1/4"-20NC, PLTD
4	40779	DIENTE EXT. DE 1/4" LW
5	450957	TUERCA DE SEGURIDAD DE NYLON N.º 8-32NC
6	40022	Tornillo Phillips N.º 8-32NC x 2/2" de largo
7	FA7958-4	INTERRUPTOR DE DESCONEXIÓN CC
8	FA966-8	SOPORTE DE MONTAJE SOSTÉN DE FUSIBLE
9	FA986-10	MARCO DERECHO DE GABINETE DE BATERÍA
10	FA975	PORTAFUSIBLES
11	FA975-1	FUSIBLE DE 350 AMPERIOS
12	NP1030	PLACA ROTULADORA DE BOTÓN PULSADOR
13	NP470	ETIQUETA DE ADVERTENCIA DE UBICACIÓN DEL MOTOR
14	NP692	PLACA ROTULADORA
	NP1066	PLACA ROTULADORA
15	NP715	PLACA ROTULADORA
16	P1483	CONJUNTO DE INTERRUPTOR DE LIMITACIÓN
17	NP1067	DECAL SHOCKWAVE

Detalle de Shockwave



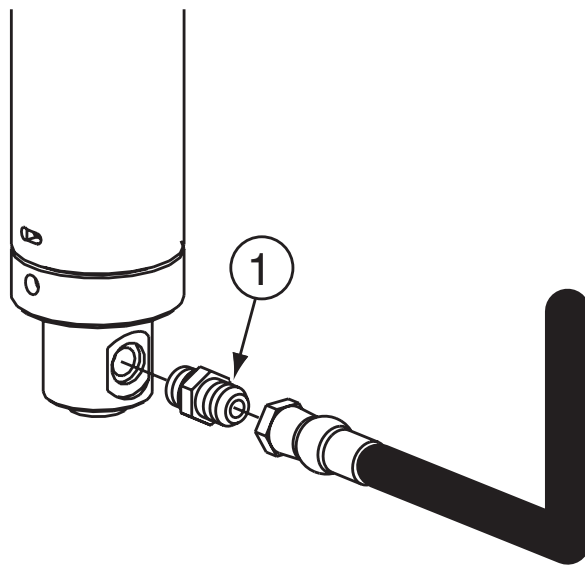
CONJUNTO DE MARCO IZQUIERDO		
ARTÍCULO	PIEZA NO.	DESCRIPCIÓN
1	41628	TUERCA DE INSERTO DE NYLON N.º 4-40 MMC N.º90633A005
2	796443	#4-40 x 1/2 Lg. PHMS, PHIL., CROMADO
3	FA966-17	PANTALLA PROTECTORA
4	FA966-18	REMACHE DE CABEZA CIRCULAR
5	FA966-21	ESPACIADOR
6	FA966-52	CONJUNTO DE MARCO IZQUIERDO DE GABINETE DE BATERÍA
7	FA983	CABLE DE CORRIENTE INTERNO DEL CARGADOR

Detalle de Shockwave



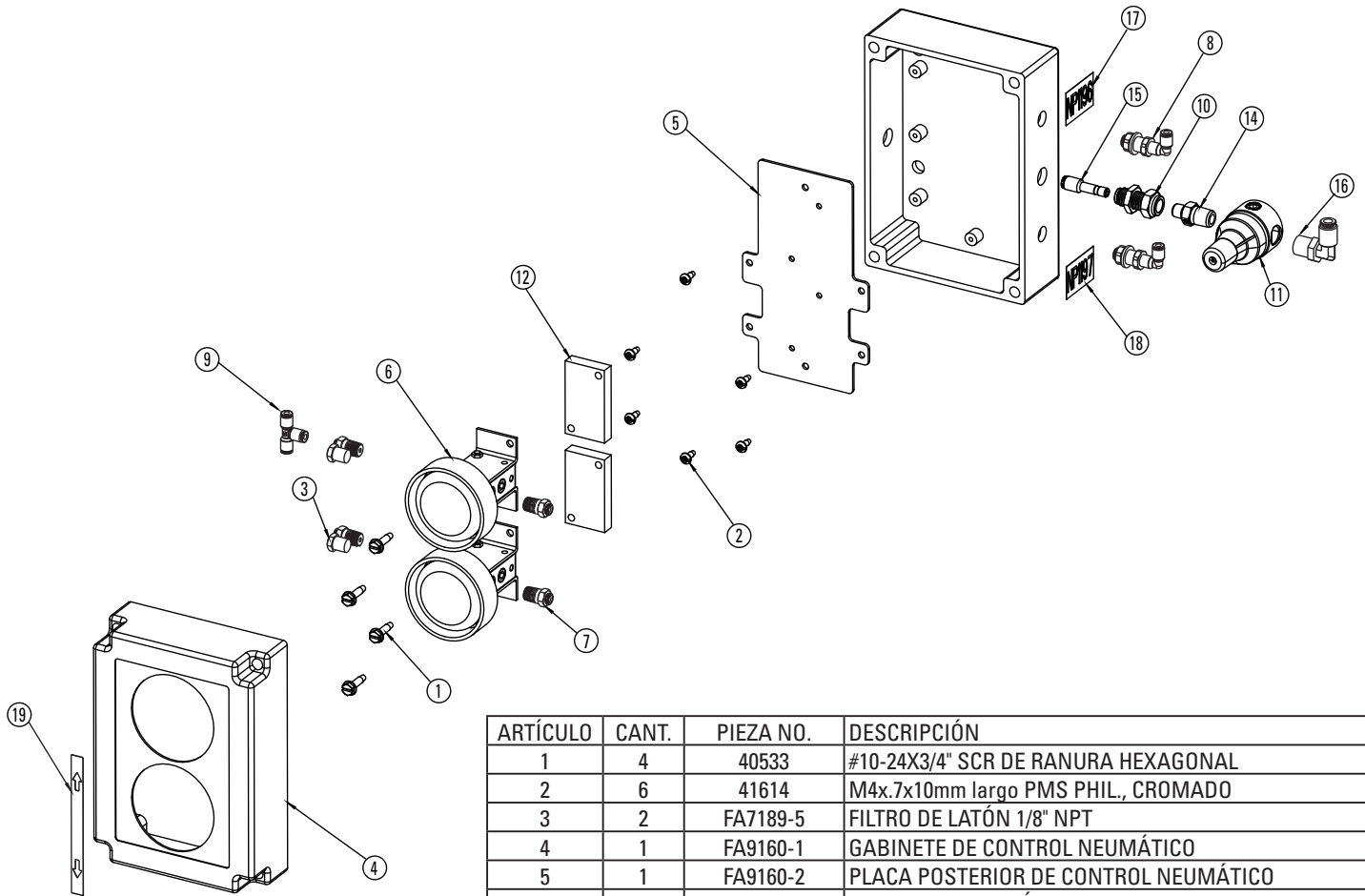
CONJUNTO DE ESTANTE INFERIOR		
ARTÍCULO	PIEZA NO.	DESCRIPCIÓN
1	40094	Tornillo allen de cabeza hueca hexag. bridados de 1/4"-20NC x 1/2" de largo
2	40641	TUERCAS DE SEGURIDAD HEXAGONALES BRIDADAS DE 1/4"-20NC, CROMADAS
3	450957	Tuerca de Bloqueo de Nylon #8-32NC
4	40022	Tornillo Phillips N.º 8-32NC x 1/2" DE LARGO
5	FA966-62	ENSAMBLE DEL CARGADOR DE 24V 8A
6	FA966-58	SOLDADURA DE ESTANTE DE GABINETE DE BATERÍA
7	FA976	CONTACTOR CC

Detalle del Adaptador de la Manguera del Cilindro



ELEMENTO	DESCRIPCIÓN	N.º DE PIEZA
1.	Adaptador recto	FJ7352-3

Panel de Control Neumático



ARTÍCULO	CANT.	PIEZA NO.	DESCRIPCIÓN
1	4	40533	#10-24X3/4" SCR DE RANURA HEXAGONAL
2	6	41614	M4x.7x10mm largo PMS PHIL., CROMADO
3	2	FA7189-5	FILTRO DE LATÓN 1/8" NPT
4	1	FA9160-1	GABINETE DE CONTROL NEUMÁTICO
5	1	FA9160-2	PLACA POSTERIOR DE CONTROL NEUMÁTICO
6	2	FA9160-3	ACTUADOR NEUMÁTICO DE TOQUE LIGERO
7	4	FC67-97	ACCESORIO RECTO TUBO DE 5/32" T01/8" NPTF (MACHO)
8	2	FA9160-14	ACCESORIO DE MAMPARA CON CODO OSCILANTE PARA TUBO DE 5/32"
9	1	450932	TE DE UNIÓN PARA GANCHO A PRESIÓN 5/32"
10	1	FA7189-4	ADAPTADOR DE MAMPARA PASANTE 1/8" NPTF(H) A TUBO DE 1/4"
11	1	FA9160-9	REGULADOR DE PRESIÓN NO AJUSTABLE (40 PSI)
12	2	FA9160-10	ESPACIADOR
13	1	FA9160-15	TUBO NEUMÁTICO DE 5/32" DE O.D.
14	1	FA9160-12	BOQUILLA HEXAGONAL 1/8" NPTF(M) A 1/4" NPTF(M)
15	1	FA793-6	REDUCTOR DE EXTREMO DE TUBO DE 1/4" A 5/32"
16	1	FC5341-90	CONECTOR DE CODO MACHO
17	1	NP1196	PLACA DE IDENTIFICACIÓN DE SALIDA DE AIRE (ELEVACIÓN)
18	1	NP1197	PLACA DE IDENTIFICACIÓN DE SALIDA DE AIRE (DESCENSO)
19	1	NP1200	PLACA DE IDENTIFICACIÓN DE FLECHAS DIRECCIONALES

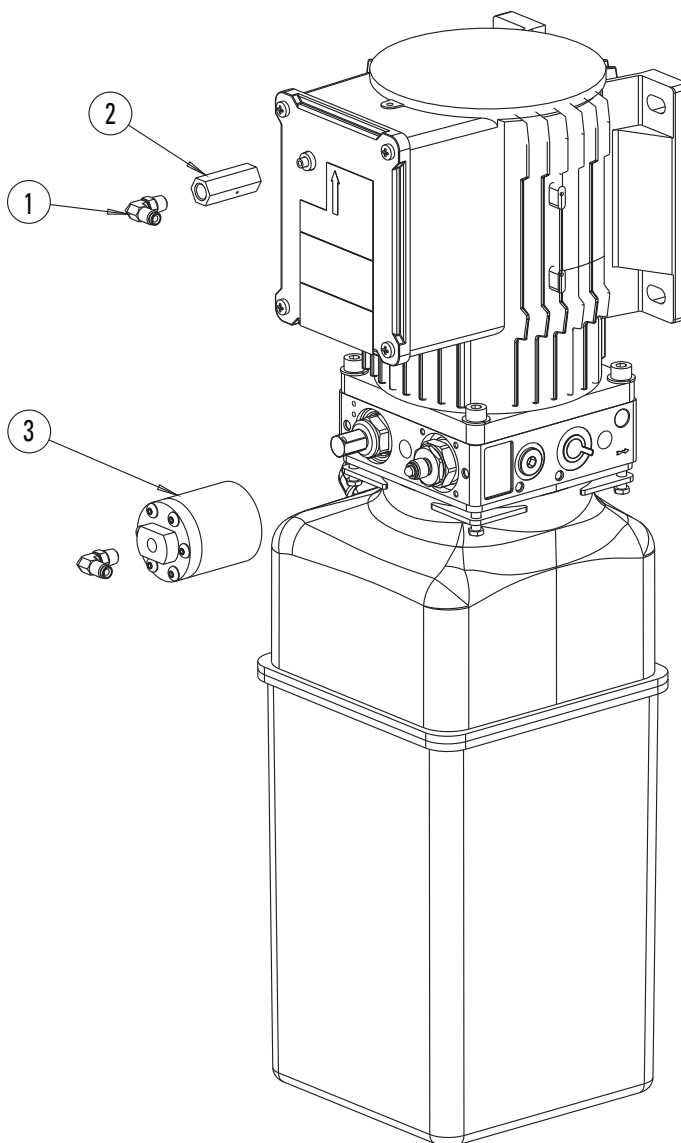
Nota: FA9160-15 no mostrado

Unidad de energía para usar con el panel de control neumático

Modelo de 60 Hz - P3666

Modelo de 50 Hz - P3667

Nota: P3666 y P3667 son idénticos a la unidad de energía estándar monofásica con excepción del agregado de T140245 y FA9161.



ARTÍCULO	CANT.	PIEZA NO.	DESCRIPCIÓN
1	2	FA793-3	CODO OSCILANTE 1/8" NPTF (MACHO) A TUBO DE 5/32"
2	1	FA9161	INTERRUPTOR NEUMÁTICO A ELÉCTRICO
3	1	T140245	ACTUADOR NEUMÁTICO

Oficinas centrales en el mundo de Rotary

2700 Lanier Drive
Madison, IN 47250, Estados Unidos
www.rotarylif.com

Información de contacto para Norteamérica

Soporte técnico:
Tel. 800.445.5438
Fax 800.578.5438
Correo-e userlink@rotarylif.com

Ventas:
Tel. 800.640.5438
Fax 800.578.5438
Correo-e userlink@rotarylif.com

Información de contacto en el mundo

Oficinas centrales en el mundo/EE. UU. 1.812.273.1622
Canadá: 1.905.812.9920
Oficinas centrales en Europa/Alemania: +49.771.9233.0
Reino Unido: +44.178.747.7711
Australasia: +60.3.7660.0285
América Latina/Caribe: +54.3488.431.608
Oriente Medio/África del norte: +49.771.9233.0

© Vehicle Service GroupSM

Impreso en los Estados Unidos,
Todos los Derechos Reservados. A
menos que se indique otra cosa,
ROTARY y todas las otras marcas
comerciales son propiedad de Dover
Corporation y de sus afiliados.



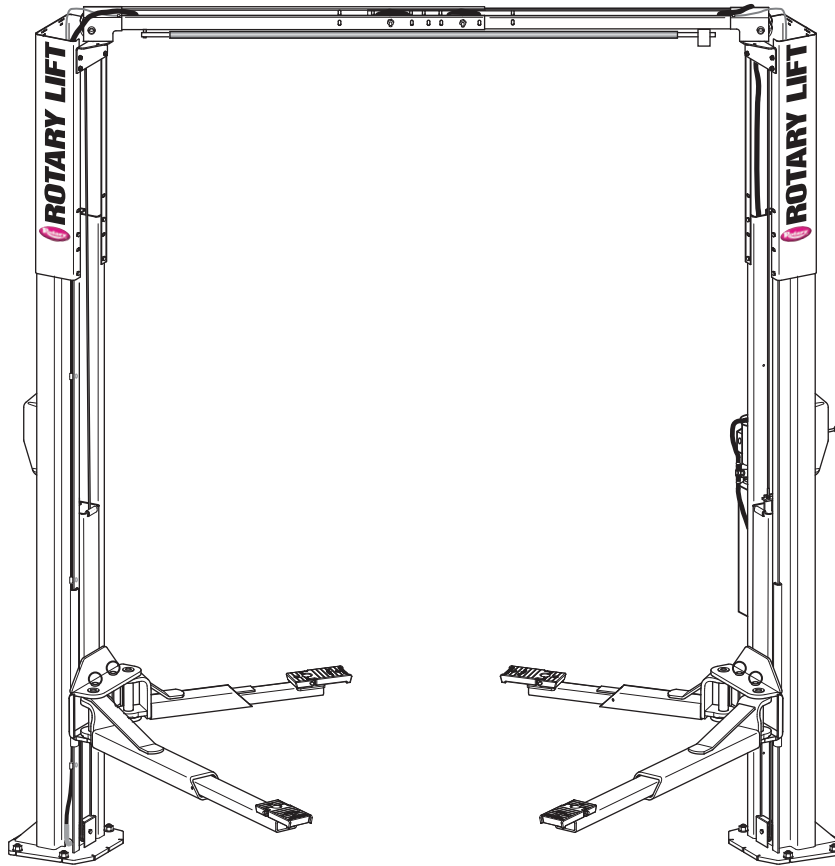


Modèles SPOA10, SP010, SPOA7

Hybrid, & Shockwave™

(Élévateurs de série 500, 700 et 800)

Capacité 10,000 lbs. (4 536 kg)



RÉPARTITION DES PIÈCES

IMPORTANT : Lors de commandes de pièces ou de demandes de service, toujours donner le numéro exact du modèle et le numéro de série de l'unité de puissance. Le numéro de modèle est indiqué sur la plaque signalétique attachée à la colonne du module d'alimentation. Le numéro de série est situé sur le côté de l'unité d'alimentation.

DOSSIER PROPRIÉTAIRE
 Complétez les informations à droite et conservez-les dans un endroit sûr.

Date d'installation _____

Installation dans la baie # _____

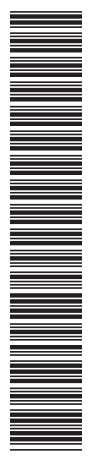
de série de l'unité d'alimentation _____

de modèle de l'unité d'alimentation _____

Série de l'élévateur _____

Modèle de l'élévateur _____

REMARQUE : Pour le remplacement des pièces - voir votre distributeur de pièces Rotary le plus proche.



1. C.G. Assemblage soudé Colonne Standard.....	N752
C.G. Assemblage soudé Colonne Sismique.....	N766
2. C.D. Assemblage soudé Colonne Standard.....	N755
C.D. Assemblage soudé Colonne Sismique.....	N768
3. Extension de colonne	
Hauteur Standard	N470
MODÈLE EH-1	N471
MODÈLE EH-2	N472
MODÈLE EH-4 (SPO10 seulement).....	N474
4. Ensemble soudé de l'étrier du châssis	N822
5. Goupille de bras	N2154
6. 1/4"-20NC x 3/4" Lg. HHCS	40099
7. Vérin hydraulique	
Élévation 68".....	N3156
Élévation 71".....	N382
8. Groupe d'alimentation	
1Ø 60Hz	**P1302/P3302
1Ø 50Hz	**P1389/P3389
3Ø.....	**P1347/P3347
3Ø 575V	**P1359/P3359
3Ø 380V (Modèle S)	**P1510/P3510
9. Tuyau d'unité d'alimentation	FJ837
10. HHCS à bride entièrement fileté	
5/16"-18NC x 1-1/2"	40509
11. NA.....	NA
12. Écrou hexagonal de blocage à bride	
5/16"-18NC	40678
13. Poignée goupille de l'actuateur	FJ7985-1
14. Goupille d'activateur	N121-1
15. Goupille de retenue	N119-3
16. Ressort de retenue de bras.....	FJ7656-2
17. Vis de purge (spécifiez le fabricant).....	N/A
18. Pare-chocs de châssis	FA941
19. Cliquet de retenue de bras	N2121
20. Pare-chocs d'approche	FJ7391-1
21. Écrous auto freinés à bague de nylon	
5/8"-11NC	40743
22. Truarc #5304-75 Klipring pour 3/4" Arbre.....	41411
23. Poulie	N377
24. Écrou hexagonal de Zinc 1/4"-20NC	40627
25. Couvercle de poulie.....	N119-1
26. 1/4"-20NC x 3/8" Lg. PHMS plaqué (2 pièces).....	40063
27. Bloc coulissant.....	FJ7360
28. Ancrage de béton 3/4"	FJ7380
29. Bague 1-1/2" O.D. x .760-.770" I.D. x .045"	41388
30. 1/4"-20NC x 2-3/4" HHCS.....	40114
31. Contre-écrou auto freiné 1/4"-20NC	40642
32. 1/8" x 1" Lg. Goupille fendue (3Ø seulement).....	41200
33. Assemblage de barre de commutation	
1Ø SPOA10NB	N415
1Ø SPOA10/SP010/3Ø avec Bouton-poussoir ...	N467
3Ø.....	N434
34. Trousse du centreur de positionnement	
de pneu.....	FF729
35. 1/4" Rondelle plate	40795
36. HHCS à brides longs 3/8"-16 NC x 3/4"	40124
*37. Trousse de rétention de bras (1 bras)	*N2148
38. Tuyau suspendu	
Standard.....	N3103
MODÈLE EH-1	FJ842
MODÈLE EH-2	FJ843
MODÈLE EH-4 (SPO10 seulement).....	FJ845

39. Câbles d'égalisation	
SPOA10NB	N384
SPOA10NB EH-1 MODÈLE	N385
SPOA10NB EH-2 MODÈLE	N386
SPOA10.....	N372
SPOA10 EH-1 MODÈLE	N378
SPOA10 EH-2 MODÈLE	N373
SPO10.....	N374
SPO10 EH-1 MODÈLE	N379
SPO10 EH-2 MODÈLE	N375
SPO10 EH-4 MODÈLE	N376
40. Boîtier du condensateur.....	FA7147-1
Plaque de couvercle du boîtier de	
condensateur	FA7366-1
Commutateur à tambour.....	FA7364
Lever du commutateur à tambour.....	FA7364-1
M5 x 45 PHMS plaqué.....	41672
41. Câble du loquet de Verrouillage	FJ7600
42. Guide de Câble	N618
43. Écrou de blocage à bride 3/8"-16NC	40664
44. Arbre de poulie.....	FJ7444-8
45. Assemblage d'actionneur (3Ø seulement)	N432-5
46. Support d'extrémité de câble	N619
47. Attache de tuyau.....	N383
48. C.G. Assemblage suspendu (extérieur).....	N480
49. C.D. Assemblage suspendu (intérieur)	N481
50. Raccord en T	FJ7668
51. Support de montage de colonne.....	N439
52. Boulon de châssis 3/8"-16NC x 3/4"	N/A
53. Écrou de blocage à bride 1/4"-20NC	40641
54. Entretoises 3/4".....	FJ7871
55. Assemblage de l'interrupteur de limite	
1Ø / 3Ø w/ Bouton-poussoir	N413
3Ø.....	N432
Commandes antidéflagrantes.....	N4118
Interrupteur de coupure	
1Ø / 3Ø w/ Bouton-poussoir	N413-1
3Ø.....	N432-1
Commandes antidéflagrantes.....	N4118-2
56. Rondelle de frein à dents externes de 1/4"	40779
57. HHCS Grade 5, 1/4"-20NC x 1"	40108
58. Goupille à ressort-1/4" dia. x 1-1/2" Lg.	
(Inoxydable).....	14427
59. Cale	FJ716-6
60. Cale avant	FJ7659-3

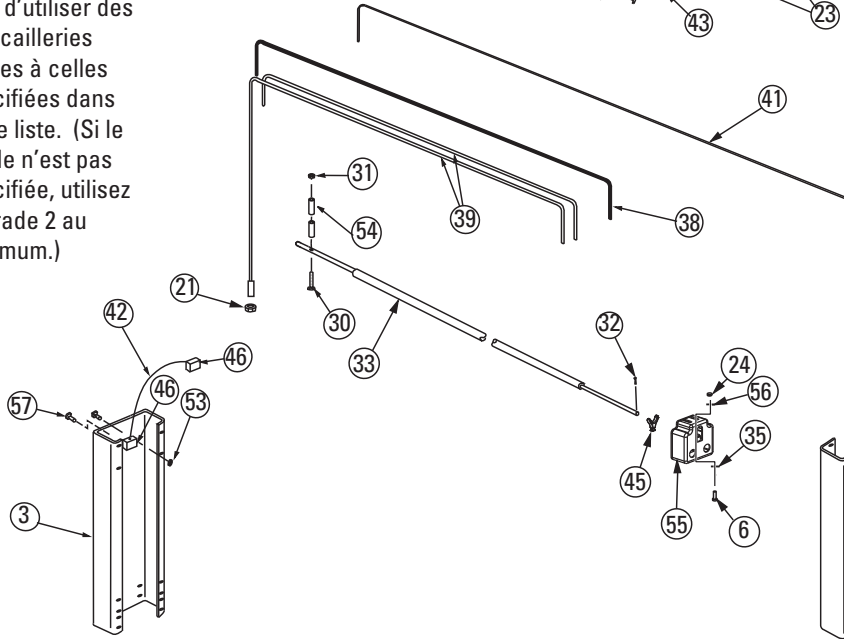
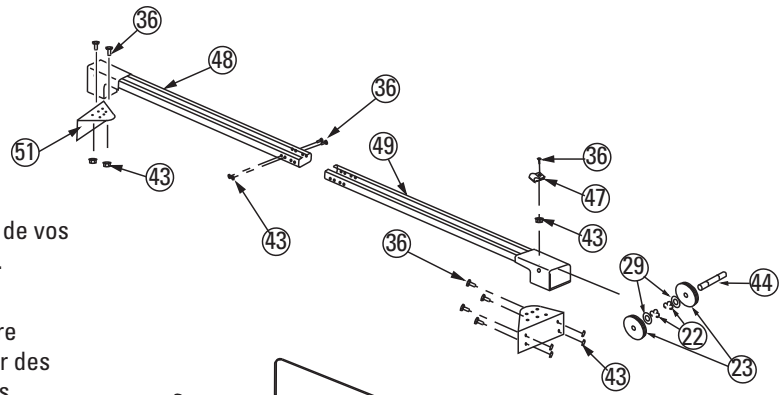
* Trousse de retenue de bras (1 bras) Comprend les items 13, 14, 15, 16, 19 et 58. Inclut également les dispositifs de retenue et le matériel de fixation (articles 21, 22 et 23) de la section Détail de bras.

** Deux unités de puissance différentes ont été utilisées. Veuillez vérifier votre numéro de modèle avant de commander des pièces.

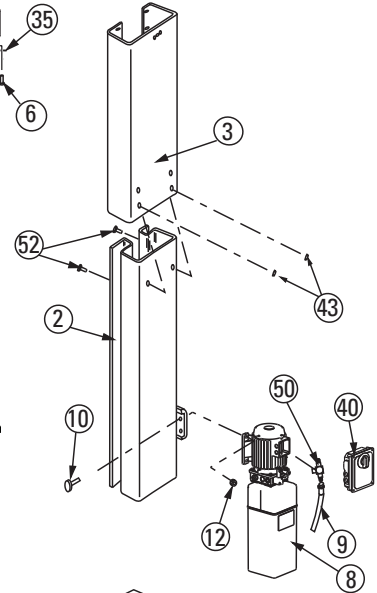
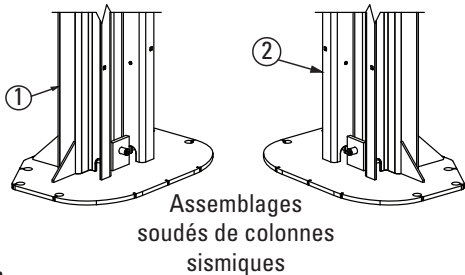
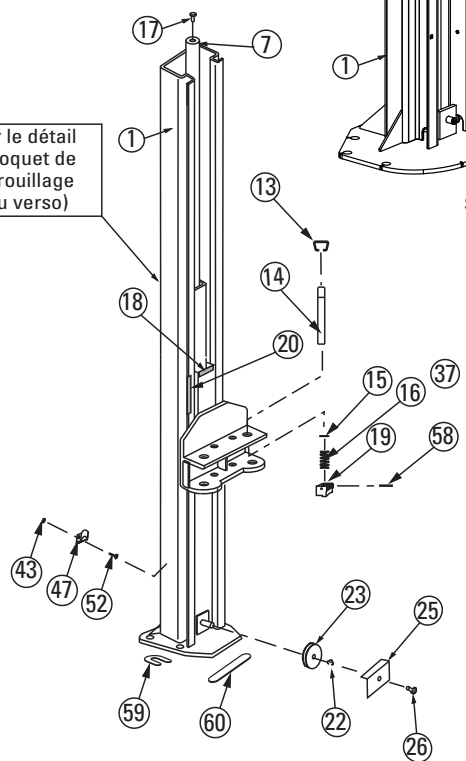
Remarque : Les quincailleries standard doivent être achetées de vos quincaillers locaux si possible.

MISE EN GARDE

Il faut prendre soin d'utiliser des quincailleries égales à celles spécifiées dans cette liste. (Si le grade n'est pas spécifiée, utilisez le grade 2 au minimum.)

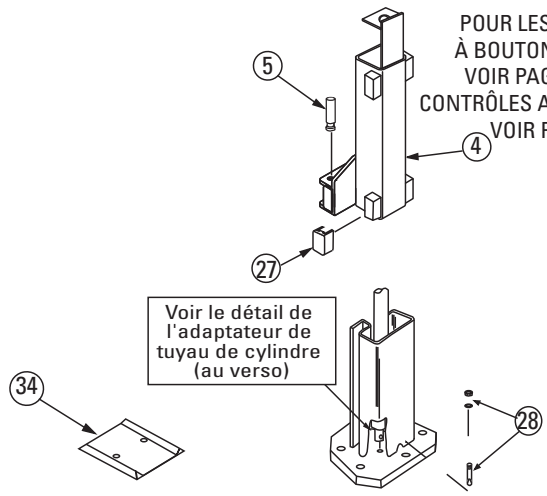


Voir le détail du loquet de verrouillage (au verso)

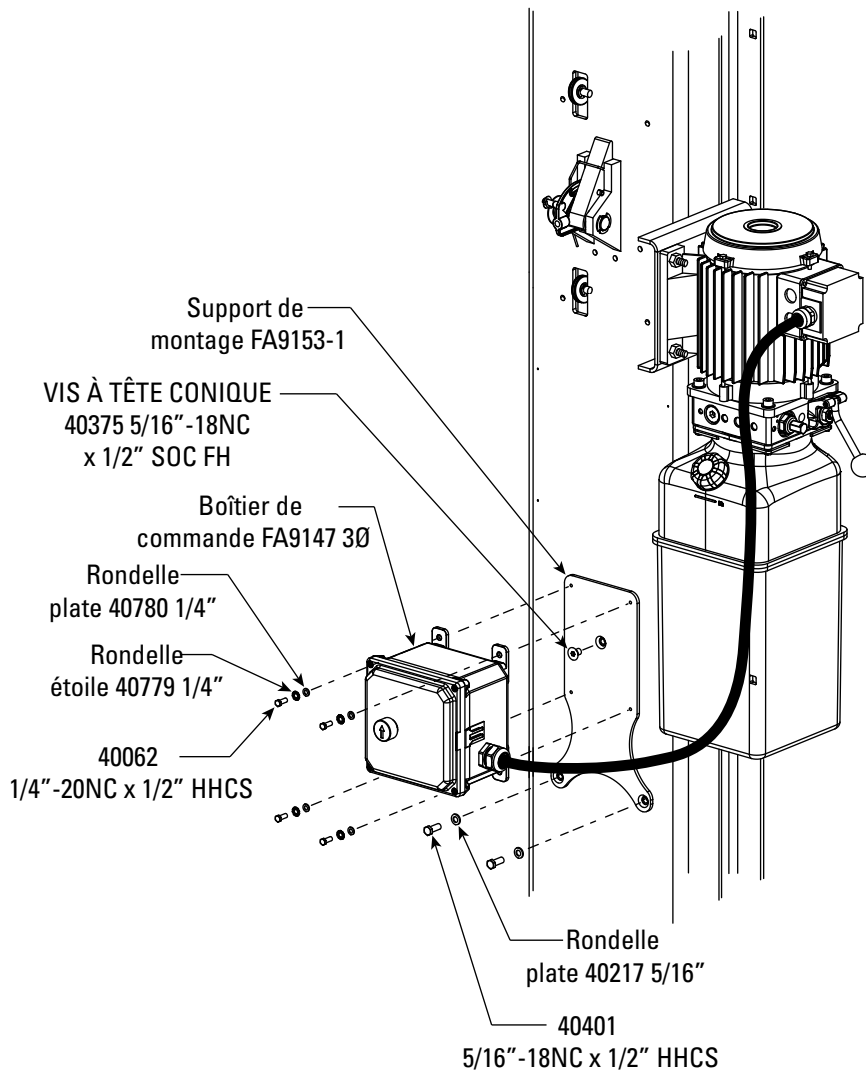


POUR LES COMMANDES À BOUTON POUSSOIR 30, VOIR PAGE 4, POUR LES CONTRÔLES ANTIFLAGRANTS, VOIR PAGES 25-26.

Voir le détail de l'adaptateur de tuyau de cylindre (au verso)

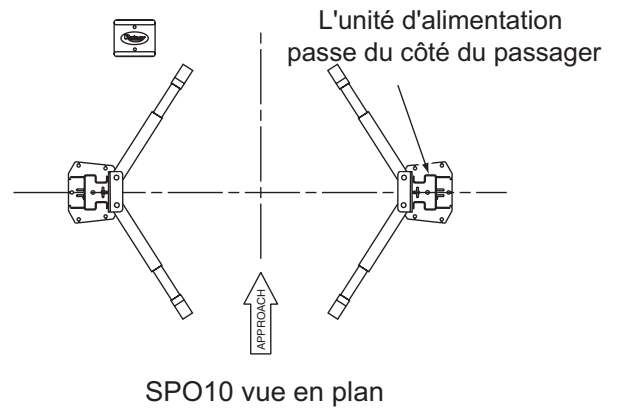
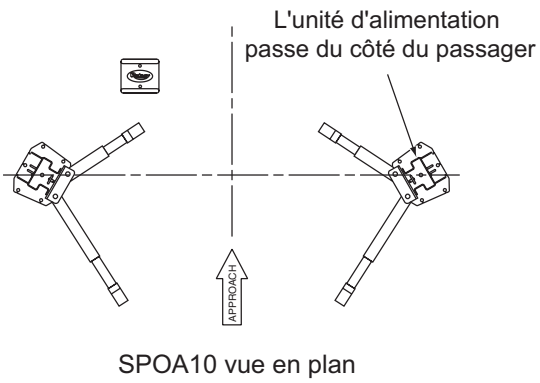


UNITÉ D'ALIMENTTION 3Ø



FA9147 Comprend des articles :	
FA9147-1	Boîtier de boîte de contrôle avec joint 3Ø
FA9147-2	25 AMP Contacteur, 3 pôles avec bobine de 480 volts GE CR553AB3CAA
FA9147-6	Bobine de contacteur DB1AB 208-240 Volt pour contacteur GE CR553A
FA9147-8	Échanger le Bouton-poussoir Momentané avec le Bloc de Contact
FA9147-9	Cordon 600 Volt à 4 fils de 42" de long avec bornes à annea

FA9147-12	Goupille GE PB1AD de bobine de 550-600 volts pour les élévateurs de 575 volts seulement
-----------	---



***Remarque : Série 5TX, 5GX ou 5BX ?**

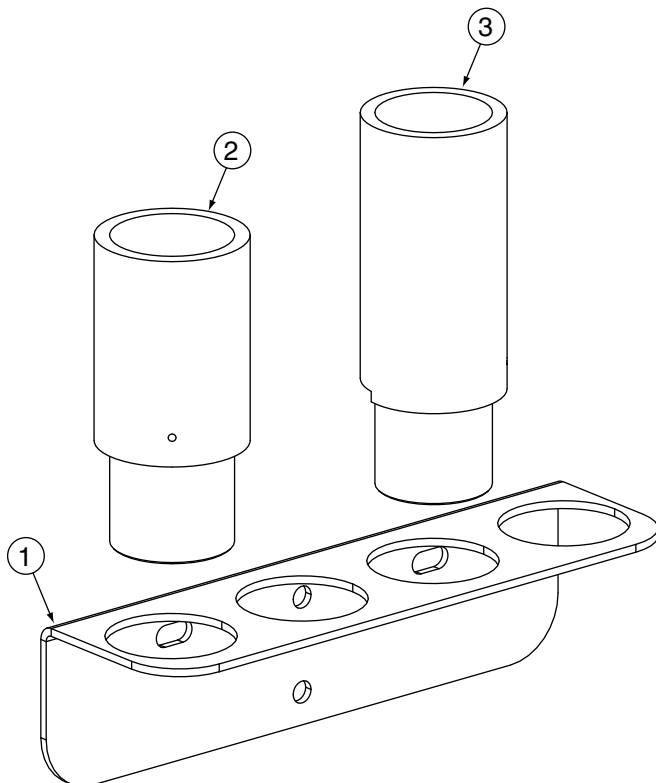
Pour savoir si vous avez un bras de série **5TX, 5GX ou 5BX**, regardez les **trois (3) derniers chiffres à la fin** de votre numéro de modèle d'élévateur.

EXEMPLE : SPOA10N**5G5** serait un modèle de la **série 5GX**.



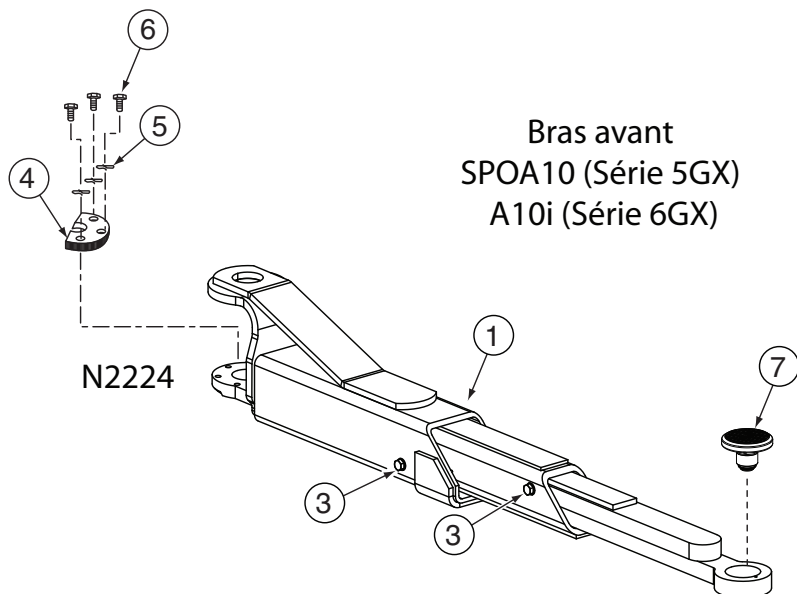
Le numéro de modèle peut être trouvé sur une étiquette sur le côté de l'élévateur.

Le « X » est un nombre variable utilisé pour remplir l'endroit du dernier numéro réel sur votre étiquette de numéro de modèle d'élévateur.

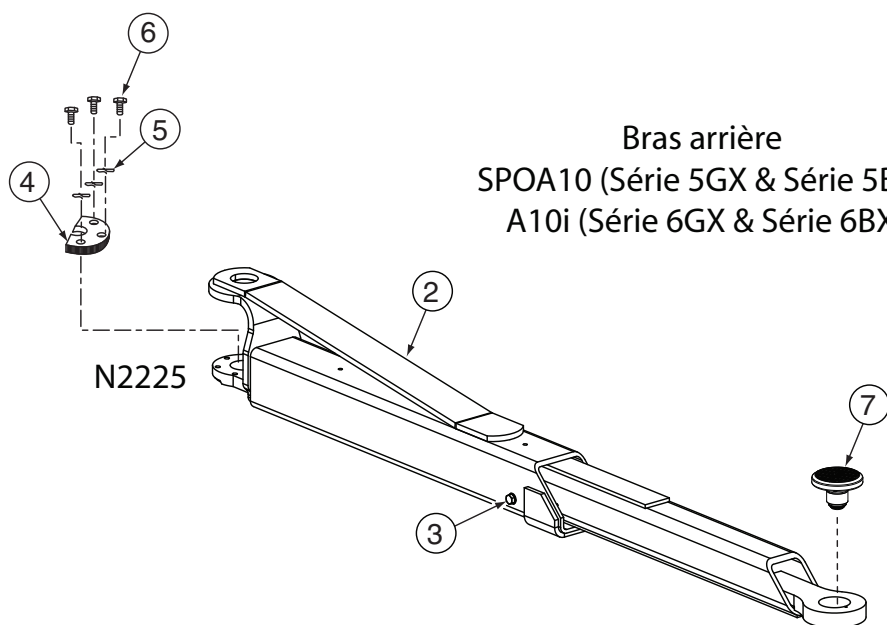


1.	Support d'adaptateur	FJ6127
2.	Extension de l'adaptateur 3-1/2" (90mm)	FJ6171-1
3.	Extension de l'adaptateur 5-1/4" (130mm)	FJ6171-2

Détail de Bras



Bras avant
SPOA10 (Série 5GX)
A10i (Série 6GX)

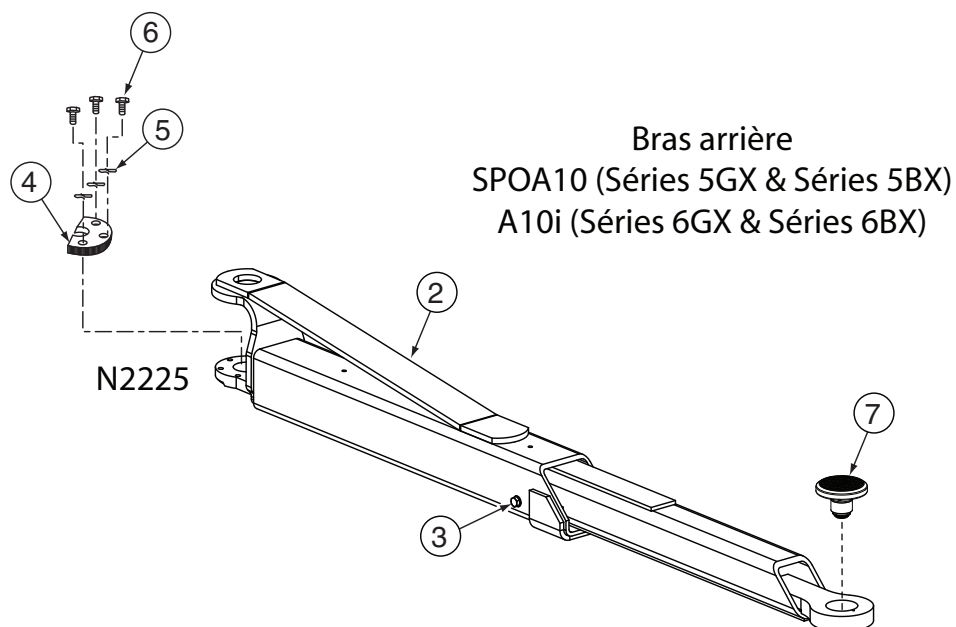
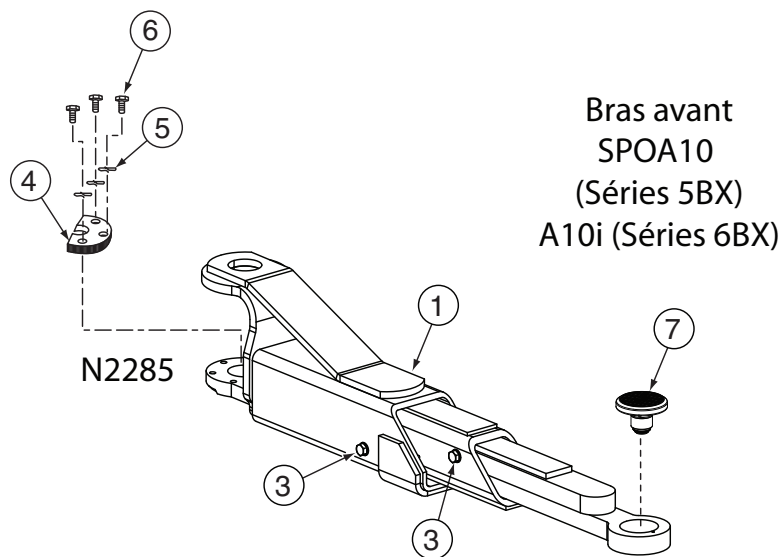


Bras arrière
SPOA10 (Série 5GX & Série 5BX)
A10i (Série 6GX & Série 6BX)

1.	Bras avant	
	SPOA10 (Séries 5GX)	*N2224
2.	Bras arrière	
	SPOA10 (Séries 5GX) & (Séries 5BX)	*N2225
3.	Assemblage de boulon d'arrêt	N219
4.	Dispositif de retenue de bras	N2122

5.	Rondelles à ressort de 3/8" (pour élévateur avec barre d'appui taraudée)	40818
6.	HHCS Grade 5, 3/8" -16NC x 1-1/2"	40201
7.	Assemblage d'adaptateur à profil bas	FJ6202
	Tampon en caoutchouc	FJ6202-3

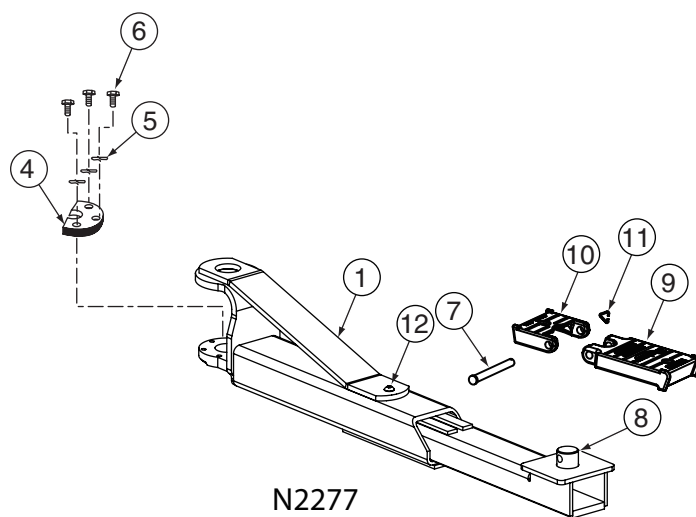
Détail de Bras



1.	Bras avant	
	SPOA10 (Séries 5BX)	*N2285
2.	Bras arrière	
	SPOA10 (Séries 5GX) & (Séries 5BX)	*N2225
3.	Assemblage de boulon d'arrêt	N219
4.	Dispositif de retenue de bras	N2122

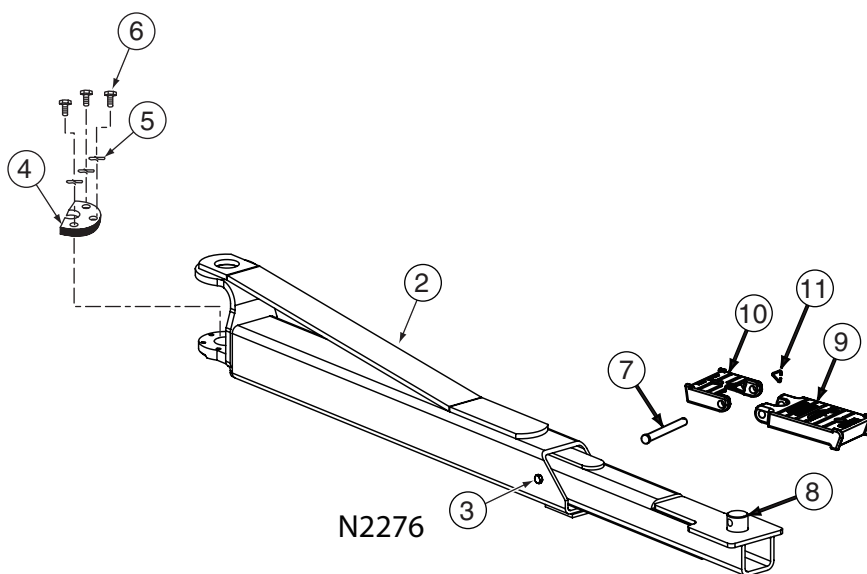
5.	Rondelles à ressort de 3/8" (pour élévateur avec barre d'appui taraudée)	40818
6.	HHCS Grade 5, 3/8" - 16NC x 1-1/2"	40201
7.	Assemblage d'adaptateur à profil bas	FJ6202
	Tampon en caoutchouc	FJ6202-3

Détail de Bras



N2277

Bras avant
SPOA10 (Séries 70X)
A10i (Séries 70X)



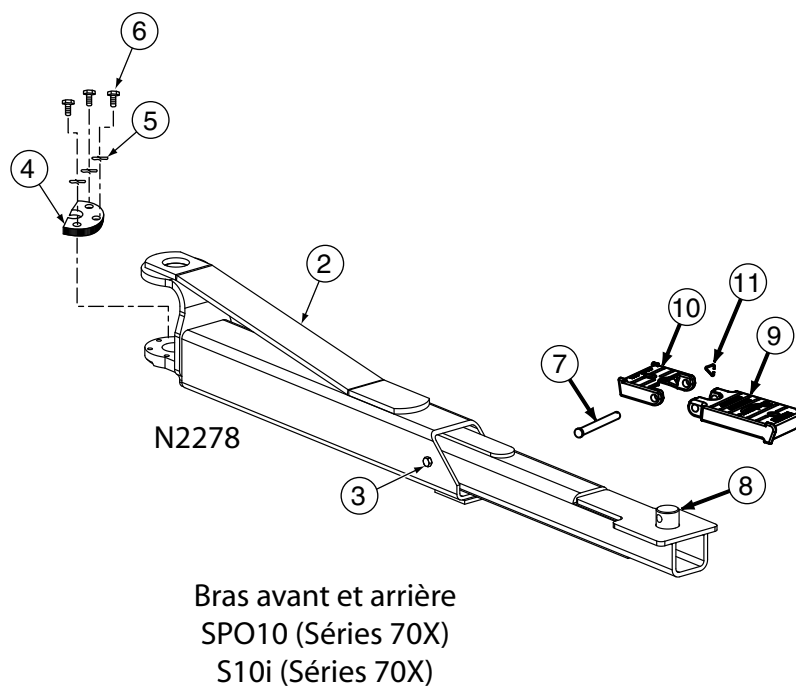
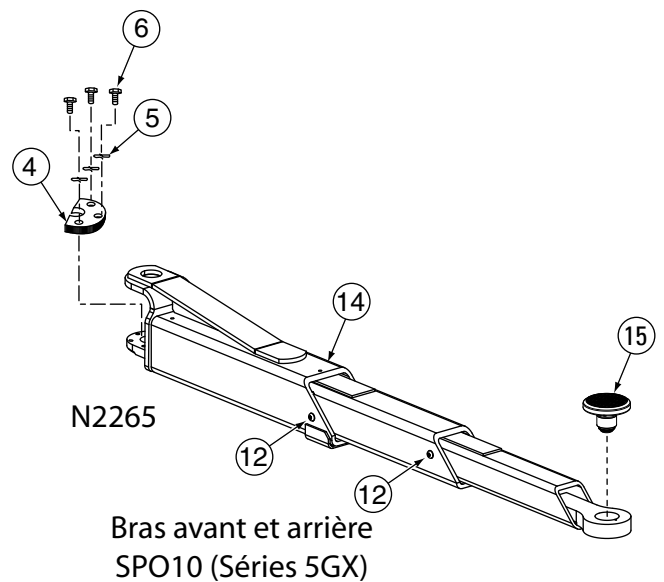
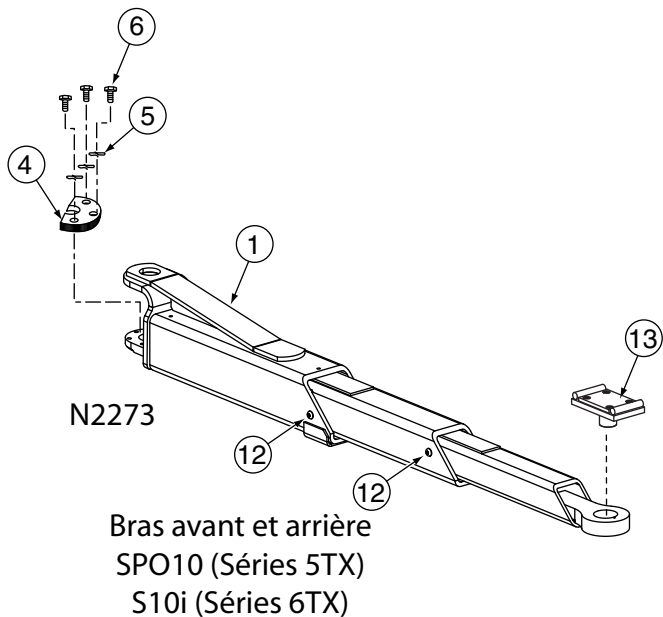
N2276

Bras arrière
SPOA10 (Séries 70X)
A10i (Séries 70X)

1.	Bras avant	
	SPOA10 (Séries 70X)	*N2277
2.	Bras arrière	
	SPOA10 (Séries 70X)	*N2276
3.	Boulon d'arrêt 3/8"-16NC x 1/2" Lg. HHCS	40126
4.	Dispositif de retenue de bras	N2122
5.	Rondelles à ressort de 3/8" (pour élévateur avec barre d'appui taraudée)	40818

6.	HHCS Grade 5, 3/8"-16NC x 1-1/2"	40201
7.	Goupille d'adaptateur	FJ6179
8.	Goupille pivotante d'adaptateur	FJ79-6
9.	Adaptateur haut-niveau	FJ6177
10.	Adaptateur bas-niveau	FJ6178
11.	Anneau ouvert de 3/32" pour arbre de 1/2" (8 requis)	FJ671-6
12.	Boulon d'arrêt avant (M10 x 1,5 x 20mm BHCS)	41650

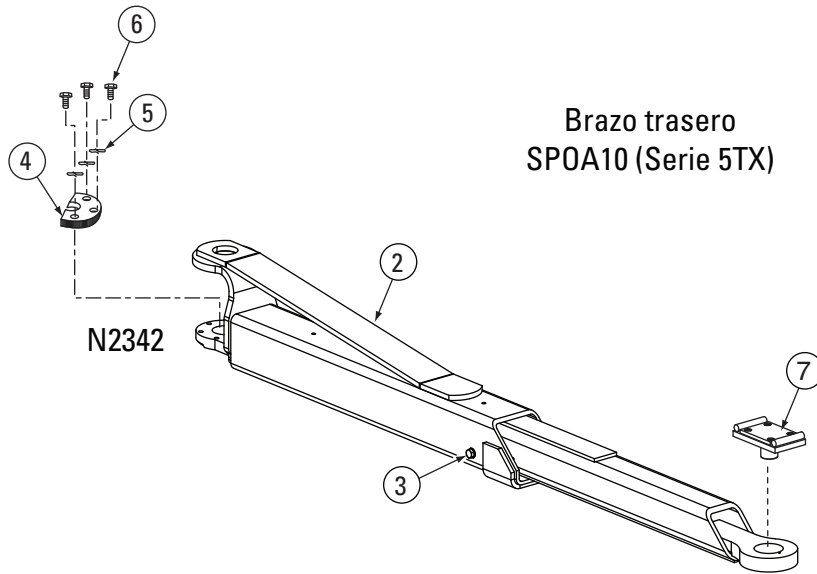
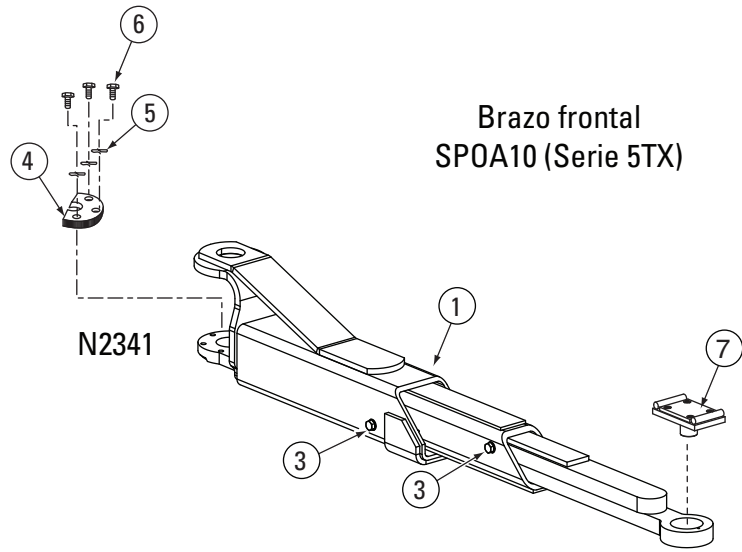
Détail de Bras



1.	Bras avant et arrière SPO10 (Séries 5TX)	*N2273
2.	Bras arrière SPO10 (Séries 70X)	*N2278
3.	Boulon d'arrêt 3/8"-16NC x 1/2" Lg. HHCS	40126
4.	Dispositif de retenue de bras	N2122
5.	Rondelles à ressort de 3/8" (pour élévateur avec barre d'appui taraudée)	40818
6.	HHCS Grade 5, 3/8" -16NC x 1-1/2"	40201
7.	Goupille d'adaptateur	FJ6179
8.	Goupille pivotante d'adaptateur	FJ79-6

9.	Adaptateur haut-niveau	FJ6177
10.	Adaptateur bas-niveau	FJ6178
11.	Anneau ouvert de 3/32" pour arbre de 1/2" (8 requis)	FJ671-6
12.	Boulon d'arrêt avant (M10 x 1,5 x 20mm BHCS)	N2264-15
13.	Assemblage d'adaptateur (SPO10) Bras à 3 étages	FJ6214
	Tampon en caoutchouc	FJ6158-4
14.	Bras avant et arrière SPO10 (Série 5GX)	*N2265
15.	Assemblage d'adaptateur à profil bas	FJ6202
	Tampon en caoutchouc	FJ6202-3

Détail de Bras



1.	Bras avant	
	SPOA10 (Séries 5TX)	*N2341
2.	Bras arrière	
	SPOA10 (Séries 5TX)	*N2342
3.	Assemblage de boulon d'arrêt	N219
4.	Dispositif de retenue de bras	N2122

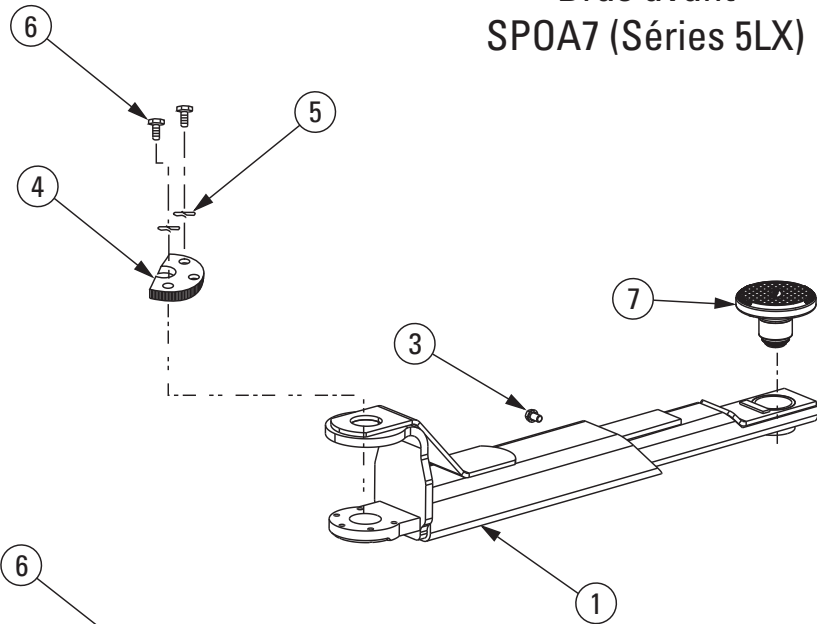
5.	Rondelles à ressort de 3/8" (pour élévateur avec barre d'appui taraudée)	40818
	6.	HHCS Grade 5, 3/8" - 16NC x 1-1/2"
7.	Assemblage d'adaptateur de bras à 3 étages	FJ6214
	Tampon en caoutchouc	FJ6158-4

Détail de Bras SPOA7 Bras à profil bas

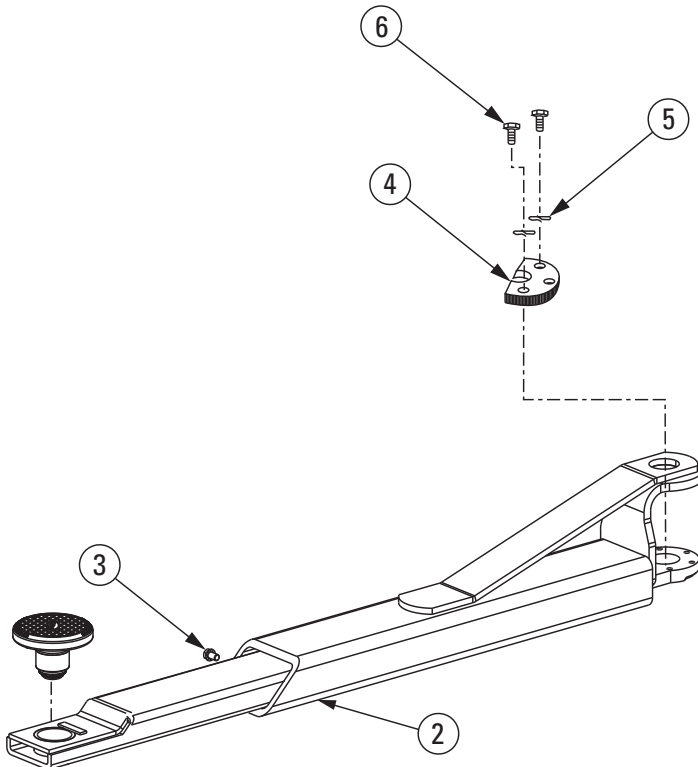
1.	Bras avant	
	SPOA10 (Séries 5TX)	*N2295
2.	Bras arrière	
	SPOA10 (Séries 5TX)	*N2294
3.	Assemblage de boulon d'arrêt	N219
4.	Dispositif de retenue de bras	N2122

5.	Rondelles à ressort de 3/8" (pour élévateur avec barre d'appui taraudée)	40818
6.	HHCS Grade 5, 3/8" -16NC x 1-1/2"	40201
7.	Assemblage d'adaptateur de bras à 3 étages	FJ6202
	Tampon en caoutchouc	FJ6202-3

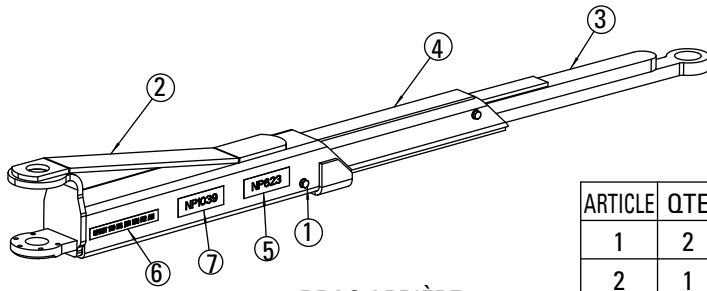
Bras avant
SPOA7 (Séries 5LX)



Bras arrière
SPOA7 (Séries 5LX)

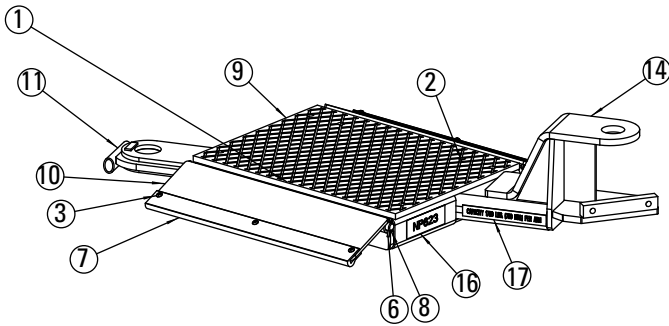


Détail du bras SPOA7 Hybride

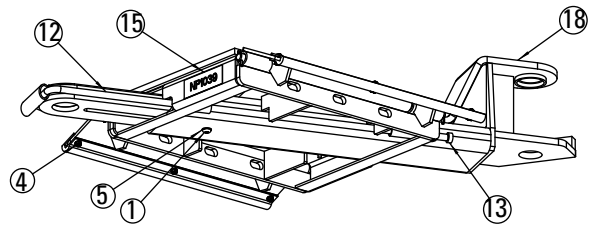


BRAS ARRIÈRE

ARTICLE	QTE	N° DE LA PIÈCE	DESCRIPTION
1	2	N219	ASSEMBLAGE DE BOULON D'ARRÊT
2	1	N2336-1	ASSEMBLAGE SOUDÉ DE BRAS EXTERNE EN 3 ÉTAPES 7K
3	1	N2336-2	ASSEMBLAGE SOUDÉ DE BRAS INTERNE EN 3 ÉTAPES 7K
4	1	N2336-3	ASSEMBLAGE SOUDÉ DE BRAS MEDIAN EN 3 ÉTAPES 7K
5	2	NP623	UTILISEZ TOUJOURS LES PLAQUE SIGNALÉTIQUE DES ADAPTATEURS
6	2	NP874	PLAQUE SIGNALÉTIQUE DE CAPACITYÉ
7	2	NP1039	UTILISEZ LES PLAQUES SIGNALÉTIQUE DES ADAPTATEURS DE CAMION



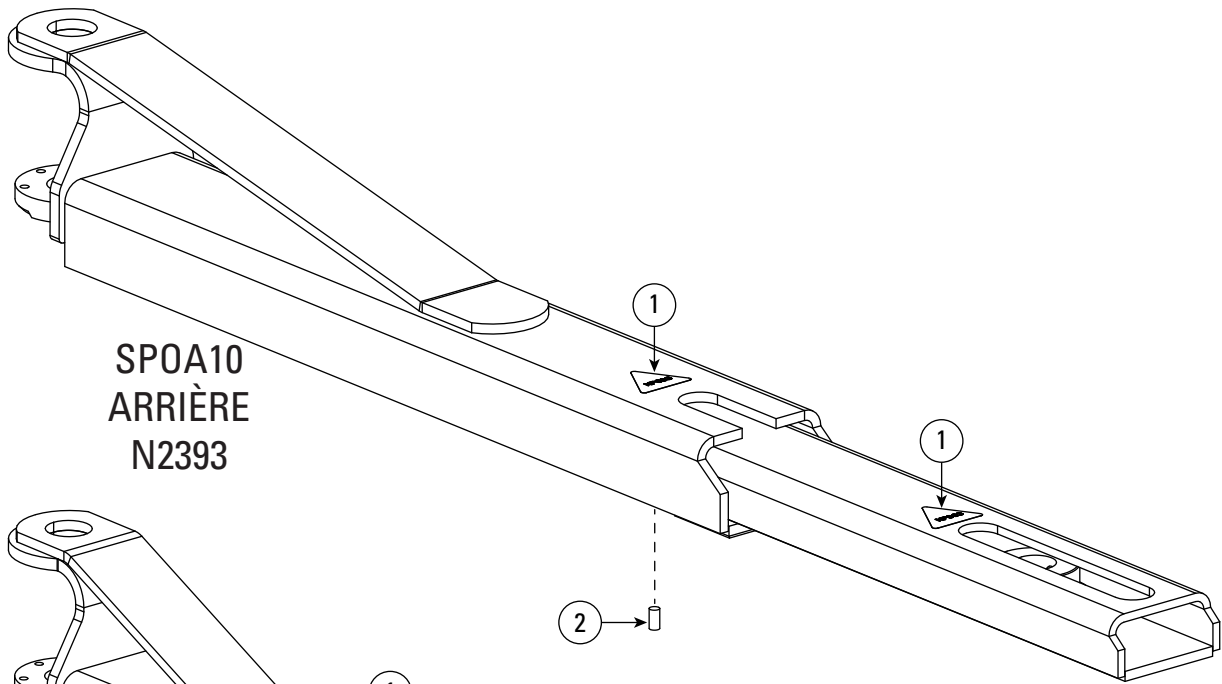
TAMPON GAUCHE



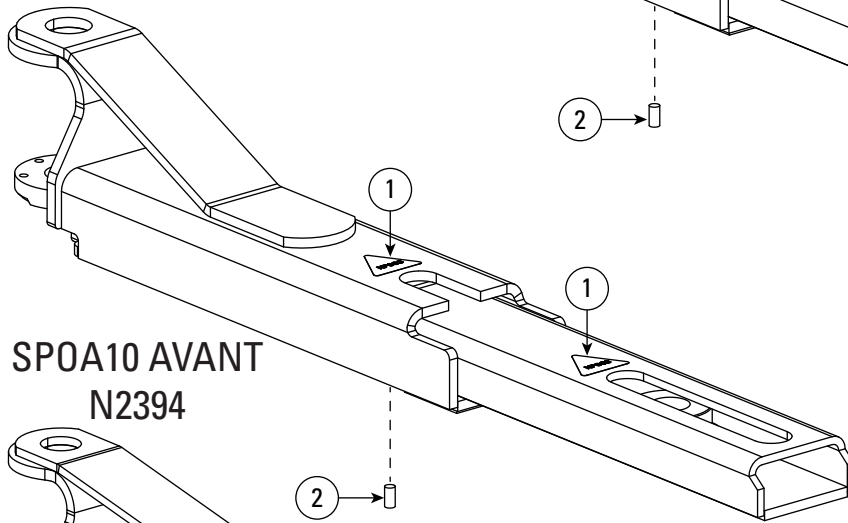
TAMPON DROIT

ARTICLE	QTE	N° DE LA PIÈCE	DESCRIPTION
1	1	40157	DOUILLE HEXAGONALE À BRIDE BHCS 3/8"-16NC x 3/4" La GRD2
2	4	40174	1/4 x .475 RIVET AVEUGLE McMASTER-CARR # 97517A651 ou ÉQUIVALENT.
3	6	40192	#10-24NC x 3/4 Lg. VIS À TÊTE BOMBÉE PHILLIPS, PLAQUÉE
4	6	40633	ÉCROU À BRIDE HEXAGONALE WZLOCK #10-24NC, PLAQUÉ
5	1	40843	RONDELLE DE FREIN À DENTS EXTERNES 3/8", PLAQUÉE
6	4	41202	GOUPILLE FENDUE 5/32" x 1" Lg
7	2	FC134-33	CALE DE RAMPE COULISSANTE
8	2	FC5179-5	GOUPILLE
9	1	FJ2494	COUSSINET AVANT EN CAOUTCHOUC
10	2	N2249	2 COUSSINETS DE POTEAU D'ASSEMBLAGE SOUDÉ DE RAMPE DE LEVAGE
11	1	N2338-6	COUSSINET AVANT DE L'ASSEMBLAGE SOUDÉ DE BRAS INTERNE
12	1	N2338-13	COUSSINET AVANT DE LA BARRE D'ACTIONNEUR DE BRAS
13	1	N2338-16	VIS A OREILLES DU BRAS INTERNE DE LA TIGE D'ACTIONNEUR
14	1	N2339-1	ASSEMBLAGE SOUDÉ DU COUSSINET AVANT GAUCHE
15	1	NP1039	UTILISEZ LA PLAQUE SIGNALÉTIQUE DE CAMION
16	1	NP623	PLAQUE SIGNALÉTIQUE D'ADAPTATEUR DE TAMPON EN CAOUTCHOUC
17	1	NP874	PLAQUE SIGNALÉTIQUE DE CAPACITÉ DE 1750 LBS
18	1	N2338	ASSEMBLAGE SOUDÉ DU COUSSINET AVANT DROIT

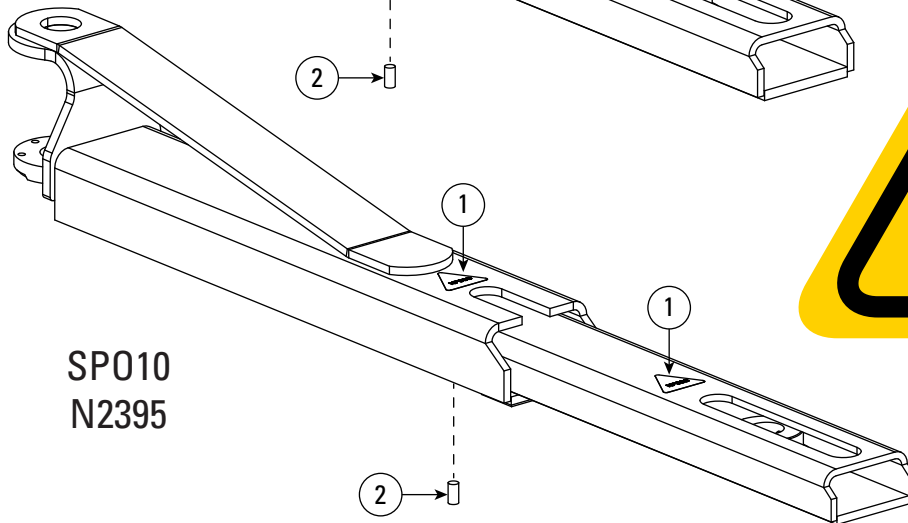
Détails des bras de la série 800



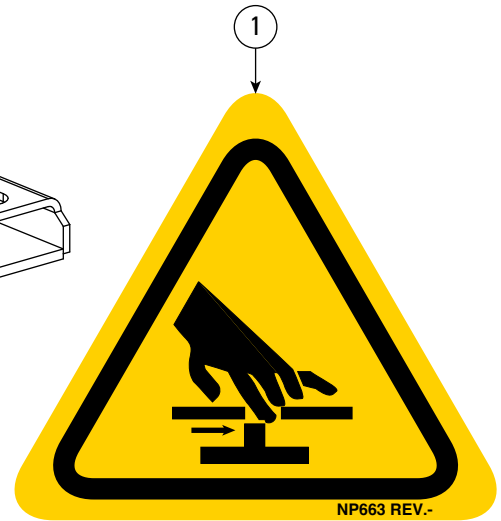
SPOA10
ARRIÈRE
N2393



SPOA10 AVANT
N2394

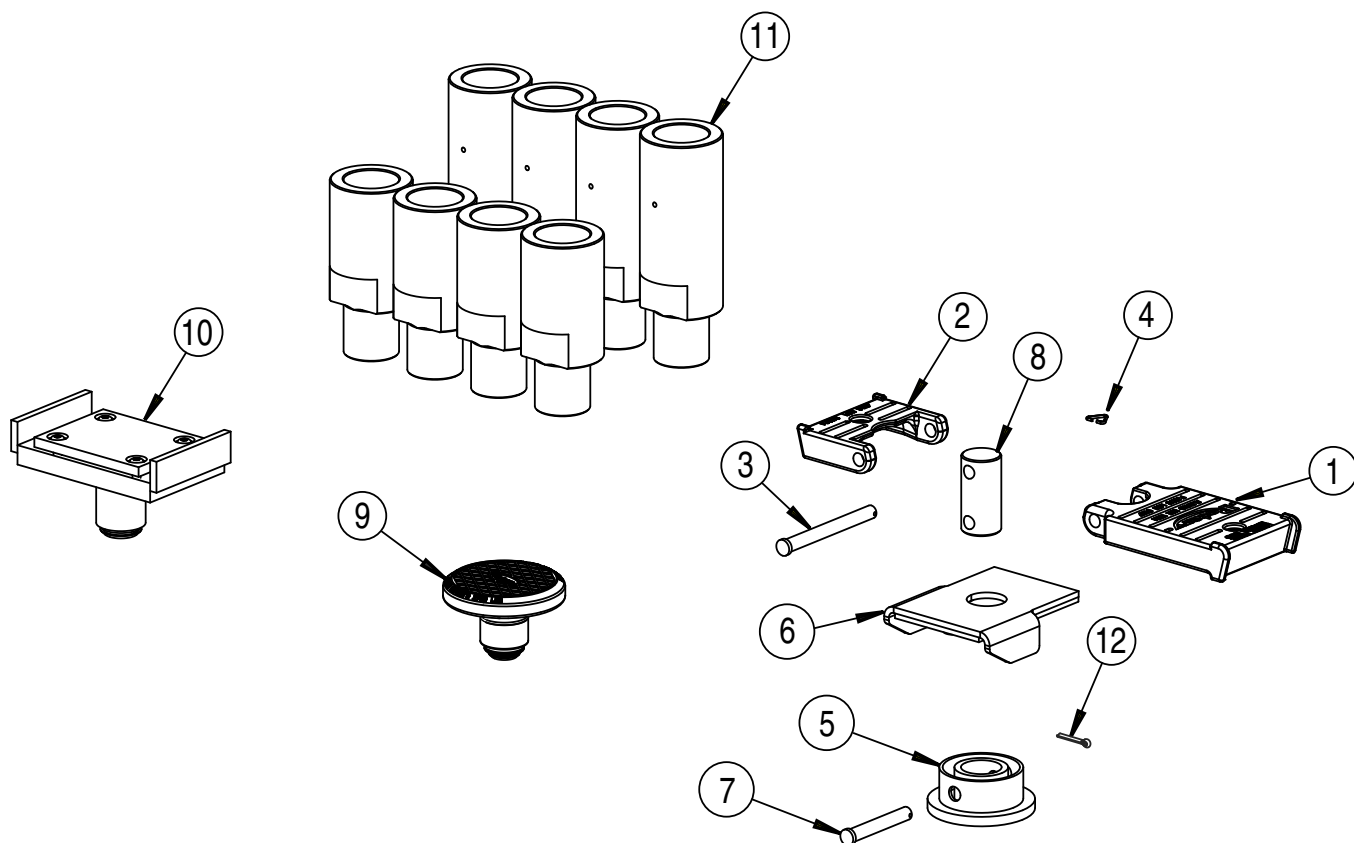


SP010
N2395



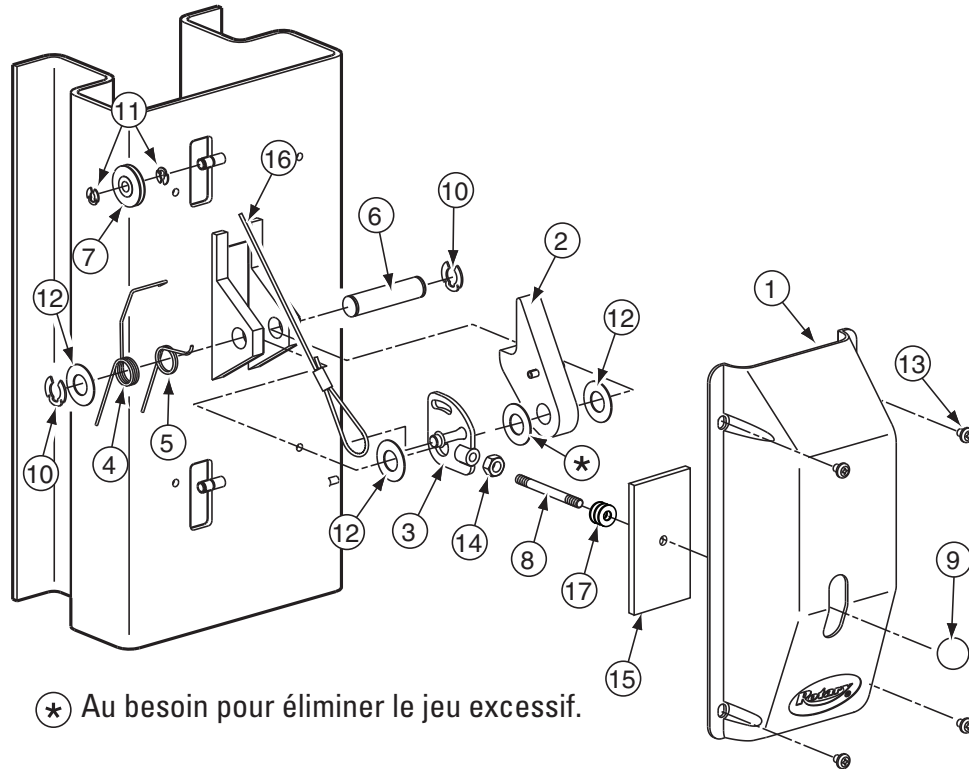
1.	Autocollant Pinch Point	NP663
2.	3/8-16 x 3/4" Vis De Réglage**	40319
	1/2-13 x 3/4" Vis De Réglage**	41746
**Numéro de pièce de la vis de réglage en fonction de la version spécifique		

Détail des options de la série 800



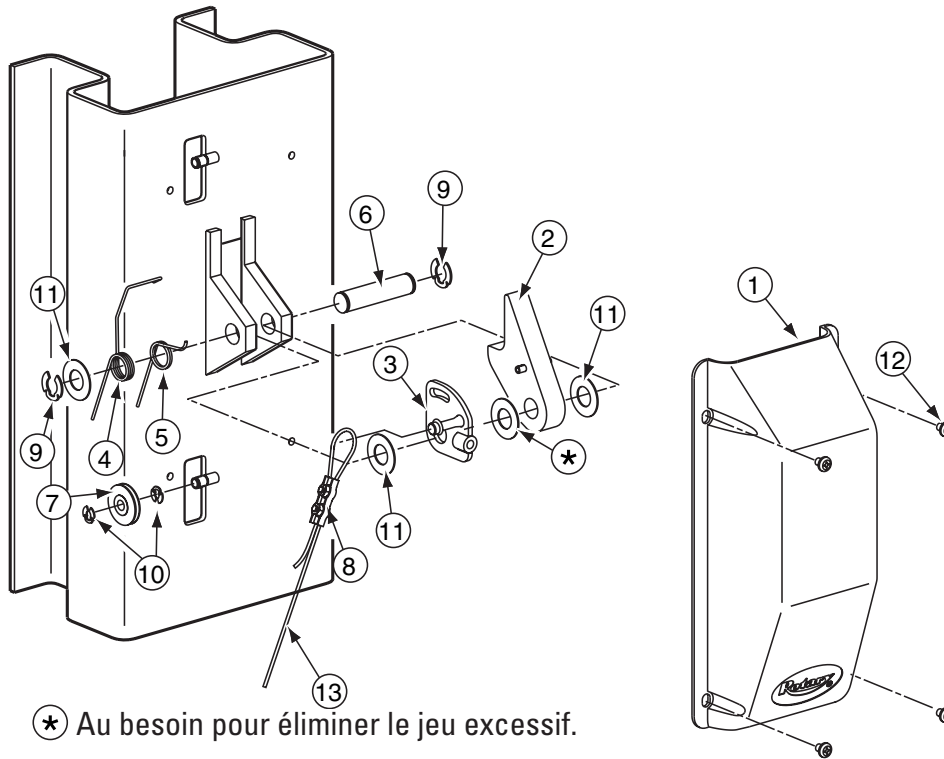
ARTICLE	DESCRIPTION	PIÈCE
1	Adaptateur haut-niveau	FJ6177
2	Adaptateur bas-niveau	FJ6178
3	Goupille d'adaptateur	FJ6179
4	3/32" Anneau ouvert pour Arbre de 1/2"	FJ671-6
5	Adaptateur auto freiné	T120309
6	Assemblage soudé de la plaque de charge	FJ6233
7	Goupille d'adapter auto freiné	T130669
8	Goupille pivotante	T130668
9	Adaptateur RA rond à profil bas	FJ6219
10	Adaptateur pour les camions	T110564
11	Trousse d'extension d'adaptateur (vendu séparément)	T100271
12	Goupille fendue 7/64" x 3/4"	41205

Détail du Loquet de verrouillage (Colonne de droite)



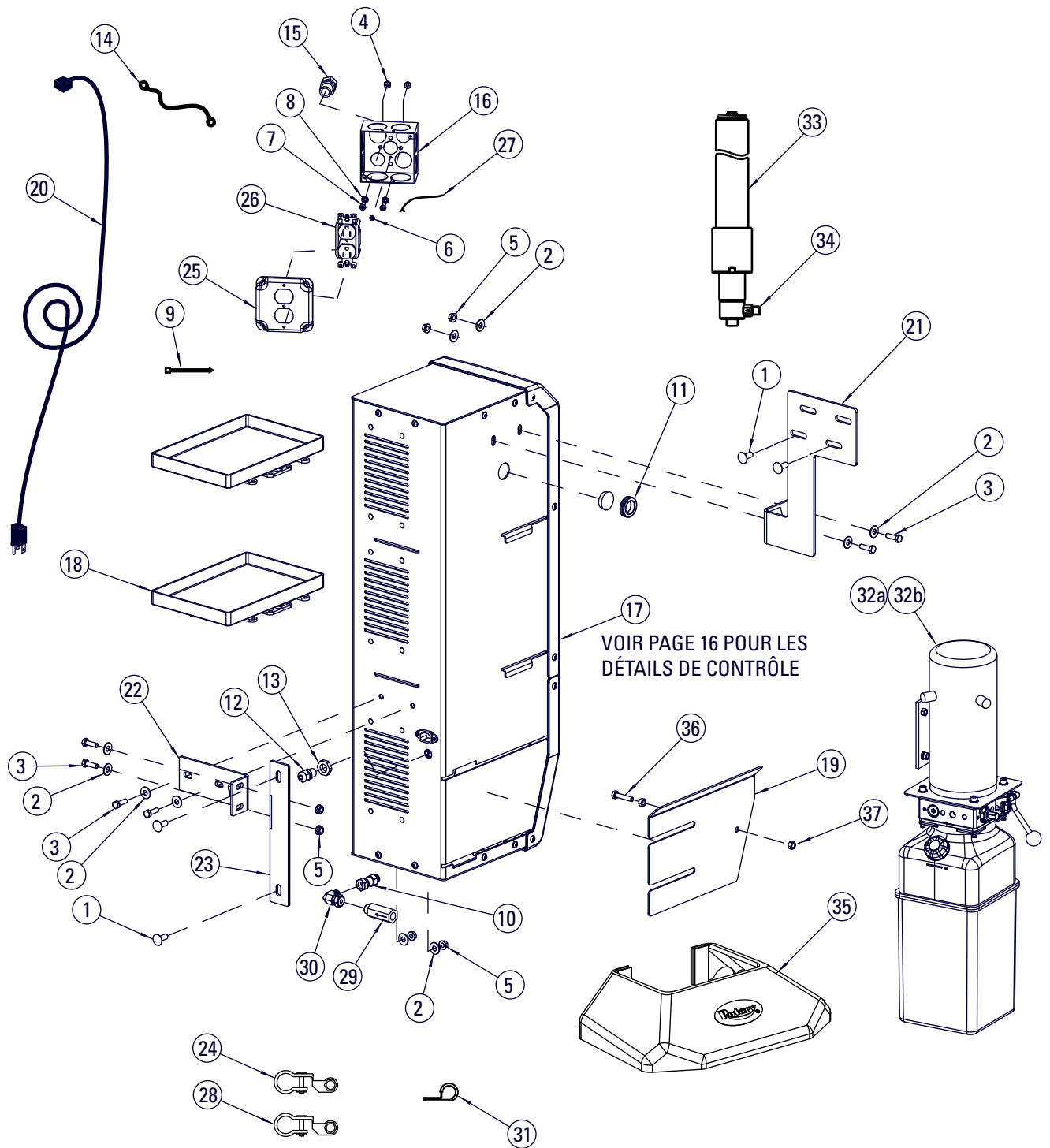
ARTICLE	DESCRIPTION	PIÈCE#
1.	Couvert latérale du contrôle	FJ7452
2.	Loquet de verrouillage	N616
3.	Plaque de contrôle	FJ7594-2
4.	Ressort.....	FJ7566-10
5.	Ressort.....	FJ7382-9
6.	Arbre du loquet de verrouillage	FJ7382-34
7.	Loquet de verrouillage de poulie.....	FJ7322
8.	Poignée.....	FJ7382-18
9.	Poignée boule.....	FC134-91
10.	Truarc Klipring #5304-75 pour 3/4" Arbre.....	41411
11.	Truarc Klipring #5304-37 pour 3/8" Arbre.....	41410
12.	1-1/2" O.D. x 3/4" I.D. x .045" Mach. Bague	41388
13.	5/16"-18NC x 3/8" Lg. PHMS	40227
14.	3/8" - 16NC Écrou hexagonal de blocage.....	40658
15.	Couvercle de fente	N617
16.	Câble du loquet de Verrouillage	FJ7600
17.	3/8" Rondelle plate	40820

Détail du Loquet de verrouillage (Colonne de gauche)



ARTICLE	DESCRIPTION	PIÈCE#
1.	Couvercle de loquet	FJ7451
2.	Loquet de verrouillage	N616
3.	Plaque de contrôle	FJ7594-2
4.	Ressort.....	FJ7566-10
5.	Ressort.....	FJ7382-9
6.	Arbre du loquet de verrouillage	FJ7382-34
7.	Loquet de verrouillage de poulie.....	FJ7322
8.	Serre-câble du câble de verrouillage	N63-1
9.	Truarc Klipring #5304-75 pour 3/4" Arbre.....	41411
10.	Truarc Klipring #5304-37 pour 3/8" Arbre.....	41410
11.	1-1/2" O.D. x 3/4" I.D. x .045" Mach. Bague.	41388
12.	5/16" -18NC x 3/8" Lg. PHMS.....	40227
13.	Câble du loquet de Verrouillage	FJ7600

Détail du Shockwave

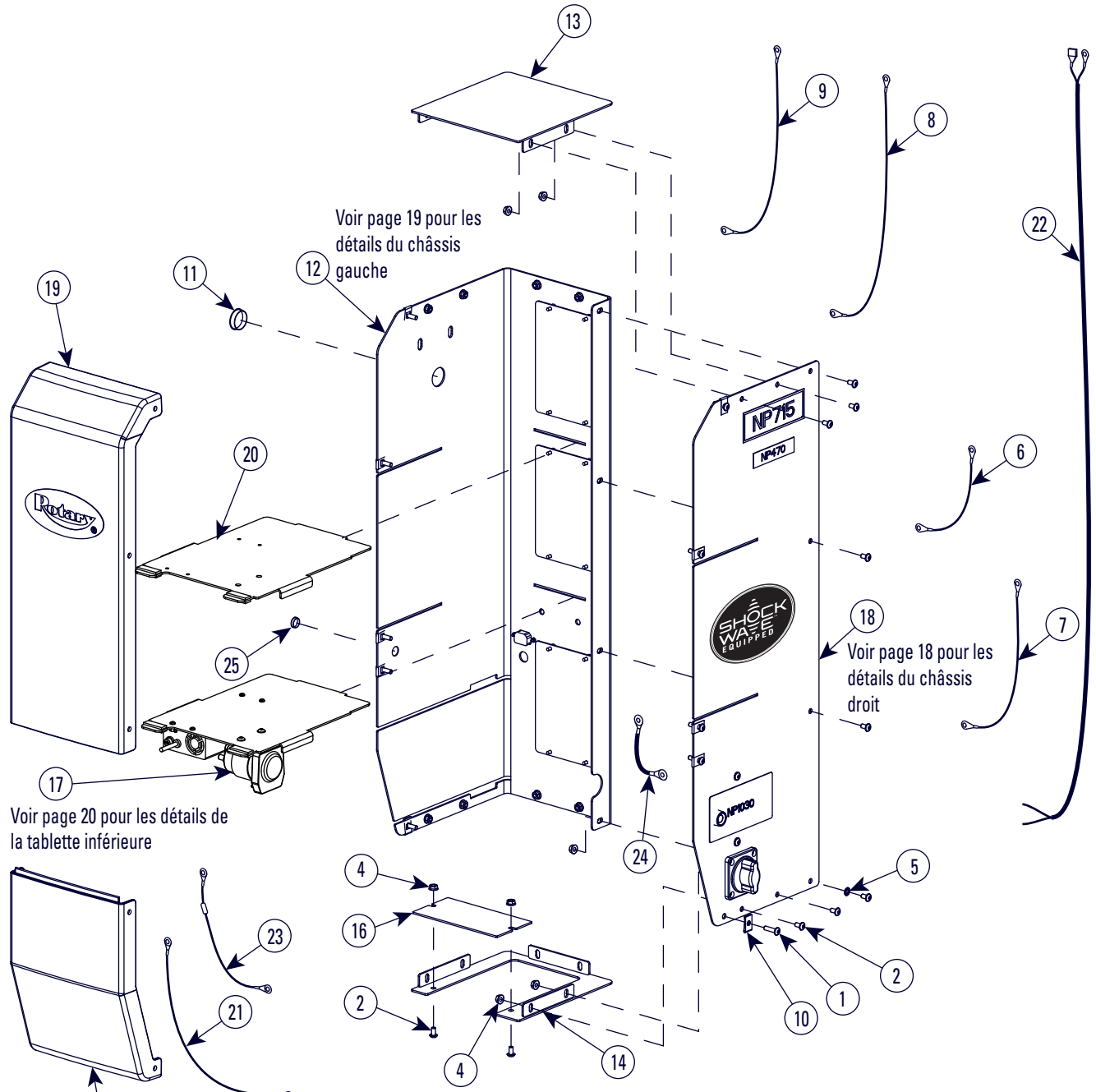


MONTAGE DE CONTRÔLE DC

Détail du Shockwave

ARTICLE	N° DE LA PIÈCE	DESCRIPTION
1	40167	3/8"-16NC x 1" Lg. CHASSIS BOULON, Gr. 5, PLAQUÉ
2	40217	5/16" USS RONDELLE PLATE PLAQUÉE
3	40221	HHCS 5/16"-18NC x 1" Lg, GRADE 5 PLAQUÉ
4	40650	ÉCROU HEXAGONALE #12-24NC, PLAQUÉ
5	40678	ÉCROU À BRIDE HEXAGONALE WZLOCK 5/16"-18NC, PLAQUÉ
6	FA997-1	#10-32 x 1/4" Lg. WHSFTS HEXAGONAUX, PLAQUÉS, DE COULEUR VERTES
7	41526	#12-24NC x 3/4" Lg. PHIL. PHMS, PLAQUÉ
8	41527	RONDELLE DE FREIN À DENTS EXTERNES, PLAQUÉE #12
9	629888	ATTACHE DE CÂBLE TY-RAP, NYLON, NOIR, 11 1
10	EFX60010319	ADAPTATEUR, FILET DROIT/ROTATIF (ORB/ORFS 6X6)
11	FA7180-31	PASSE-FIL
12	FA7189-14	BRIDE DE CORDON 3/8" NPT
13	FA7189-15	CONTRE-ÉCROU 3/8" NPT
14	FA7616	BATTERIE-CÂBLE DE LA BATTERIE
15	FA7958-28	BRIDE DE CORDON
16	FA997	BOITE DE JONCTION
17	FA966	MONTAGE DE CONTRÔLE DC
18	FA966-16	PLATEAU DE BATTERIE
19	FA966-47	BOUCLIER ANTI-ÉCLABOUSSURES À 2 POSTES DU CABINET DE BATTERIE
20	FA966-51	CORDON D'ALIMENTATION UNIVERSEL DE 10 PI (NEMA 5-15P À IEC320C13)
21	FA966-55	ASSEMBLAGE SOUDÉ DU SUPPORT DE MONTAGE SUPÉRIEUR DU CABINET DE BATTERIE
22	FA966-56	ASSEMBLAGE SOUDÉ DU SUPPORT DE MONTAGE DU CABINET DE BATTERIE
23	FA966-57	ASSEMBLAGE SOUDÉ DE LA COLONNE DE MONTAGE DU CABINET DE BATTERIE
24	FA979	FIN DE BORNE DE BATTERIE POSITIVE
25	FA980-1	COUVERCLE DE BOÎTE CARRÉE DE 4" DU RECEPTACLE DUPLEX
26	FA980-2	RÉCEPTACLE FEMELLE DUPLEX
27	FA980-3	FIL DE GARDE
28	FA981	FIN DE BORNE DE BATTERIE NÉGATIVE
29	FJ71003	RÉGULATEUR DE DÉBIT
30	FJ71007	COUDE PIVOTANT MÂLE ORFS x FEMELLES ORFS
31	FJ7669	COLLIER DE SERRAGE DU TUYAU DE COLONNE
32a.	P3577	UNITÉ DE PUISSANCE DC - TAMPON DE L'ÉLÉVATEUR
32b	P3579	UNITÉ DE PUISSANCE DC - BRAS DE L'ÉLÉVATEUR
32c	P3586	UNITÉ DE PUISSANCE DC - SPO12
33	N3151Y	VÉRIN HYDRAULIQUE
34	FJ7352-3	ADAPTATEUR
35	N539	COUVERCLE DE PLAQUE DE BASE (POUR LES MODÈLES SPOA10 ET SPO10 SEULEMENT)
36	40271	HHCS ENTIÈREMENT FILETÉ 5/16"-18NC x 1-1/2"
37	40670	ÉCROU HEXAGONAL 5/16"-18NC

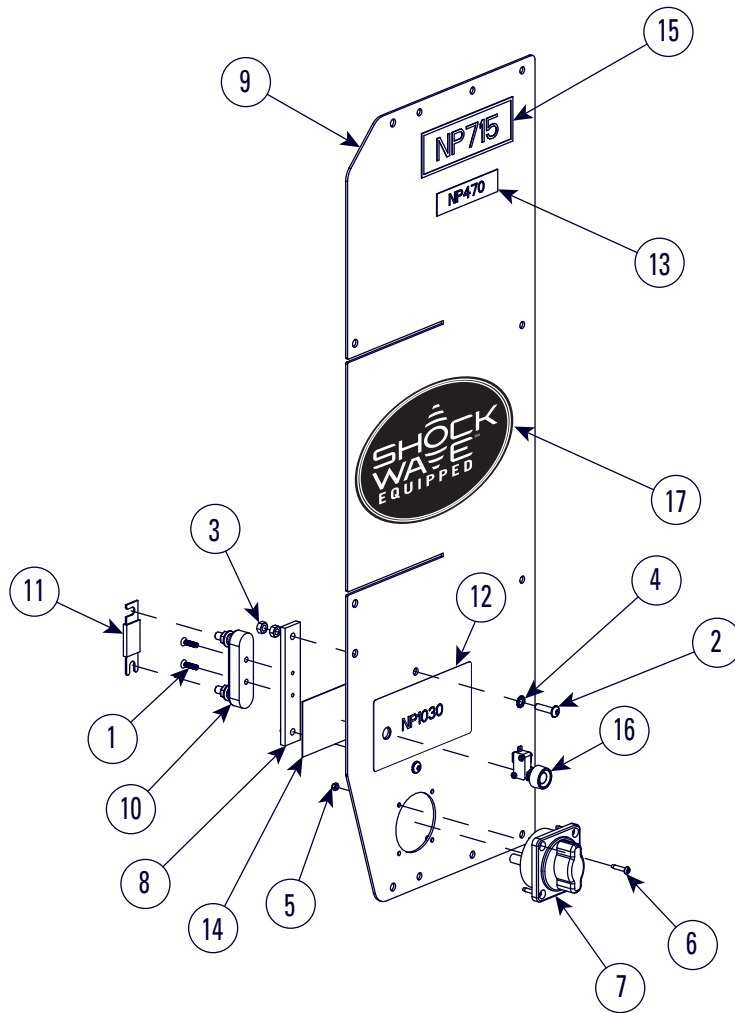
Détail du Shockwave



Détail du Shockwave

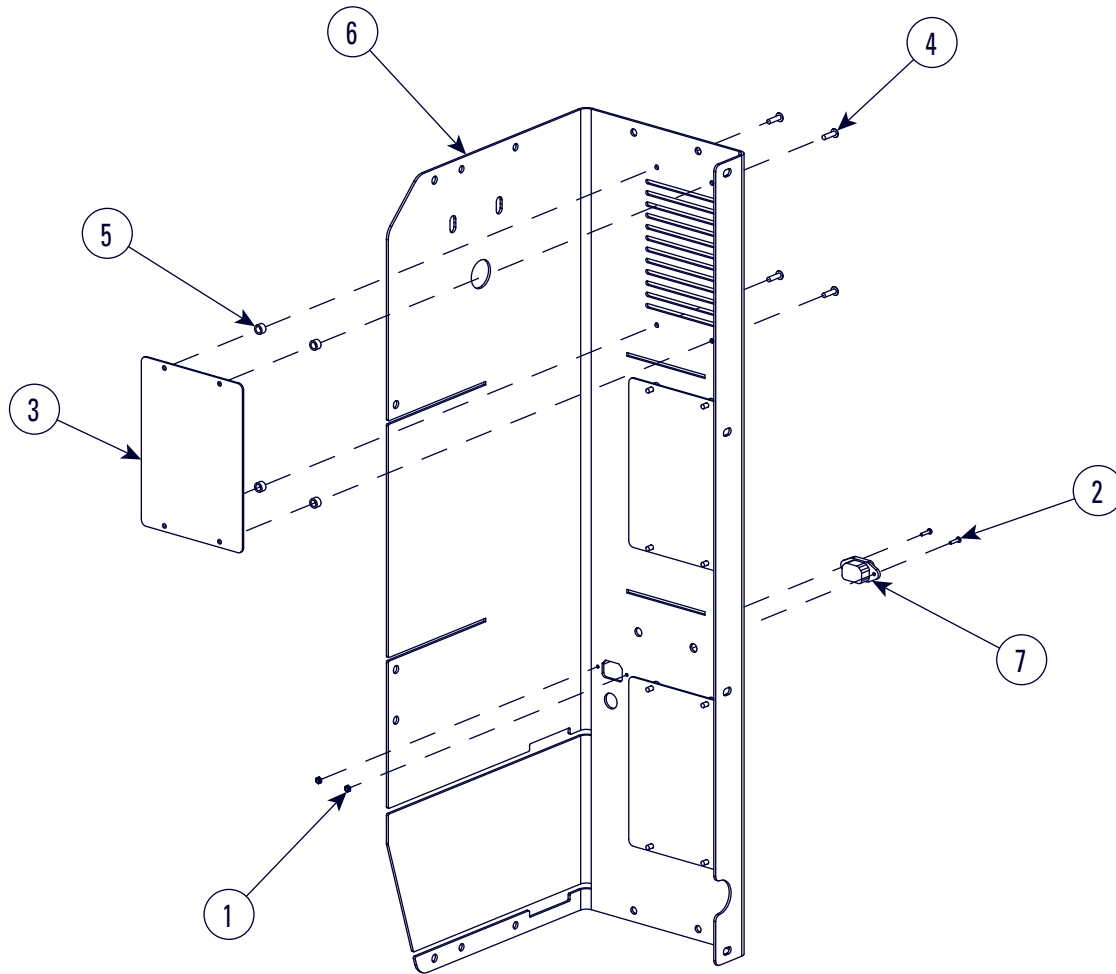
CONTRÔLE DC		
ARTICLE	N° DE LA PIÈCE	DESCRIPTION
1	40077	DOUILLE HEXAGONALE À BRIDE BHCS 1/4"-20NC x 1" Lq, GRADE 2
2	40094	DOUILLE HEXAGONALE À BRIDE BHCS 1/4"-20NC x 1/2"
3	NA	NA
4	40641	ÉCROU À BRIDE HEXAGONALE WZLOCK 1/4"-20NC, PLAQUÉ
5	40779	RONDELLE DE FREIN À DENTS EXTERNES 1/4"
6	FA7618	FUSIBLE DE DÉCONNECTION - CÂBLE
7	FA7619	FUSIBLE - CONTACTEUR DE CÂBLE
8	FA7667	CÂBLE - DÉCONNEXION DE BATTERIE
9	FA7668	BATTERIE-CÂBLE DU MOTEUR
10	FA966-22	ÉCROU À PINCE
11	FA966-34	1-1/4" BOUCHON
12	FA966-37	ASSEMBLAGE DU CHASSIS DE GAUCHE DU CABINET DE BATTERIE
13	FA966-39	ENSEMBLE SOUDÉ DU COUVERCLE SUPÉRIEUR DU CABINET DE BATTERIE
14	FA966-42	ENSEMBLE SOUDÉ DU COUVERCLE INFÉRIEUR DU CABINET DE BATTERIE
15	FA966-45	COUVERCLE DU BAS AVANT DU CABINET DE BATTERIE
16	FA966-46	PETIT COUVERCLE DU BAS DU CABINET DE BATTERIE
17	FA966-48	ASSEMBLAGE DE L'ÉTAGÈRE INFÉRIÈRE DU CABINET DE BATTERIE
18	FA986-1	ASSEMBLAGE DU CHASSIS DE DROITE DU CABINET DE BATTERIE
19	FA966-50	ASSEMBLAGE DU COUVERCLE D'EN HAUT AVANT DU CABINET DE BATTERIE
20	FA966-58	SOUDURE D'ÉTAGÈRE DU CABINET DE BATTERIE
21	FA970	HARNAIS DE CONTACTEURS
22	FA971	HARNAIS DE LA SUSPENSION
23	FA978	HARNAIS DE DÉCONNECTION
24	FA982	FIL DE GARDE
25	FA966-60	BOUCHON DE TROU TRANSPARENT

Détail du Shockwave



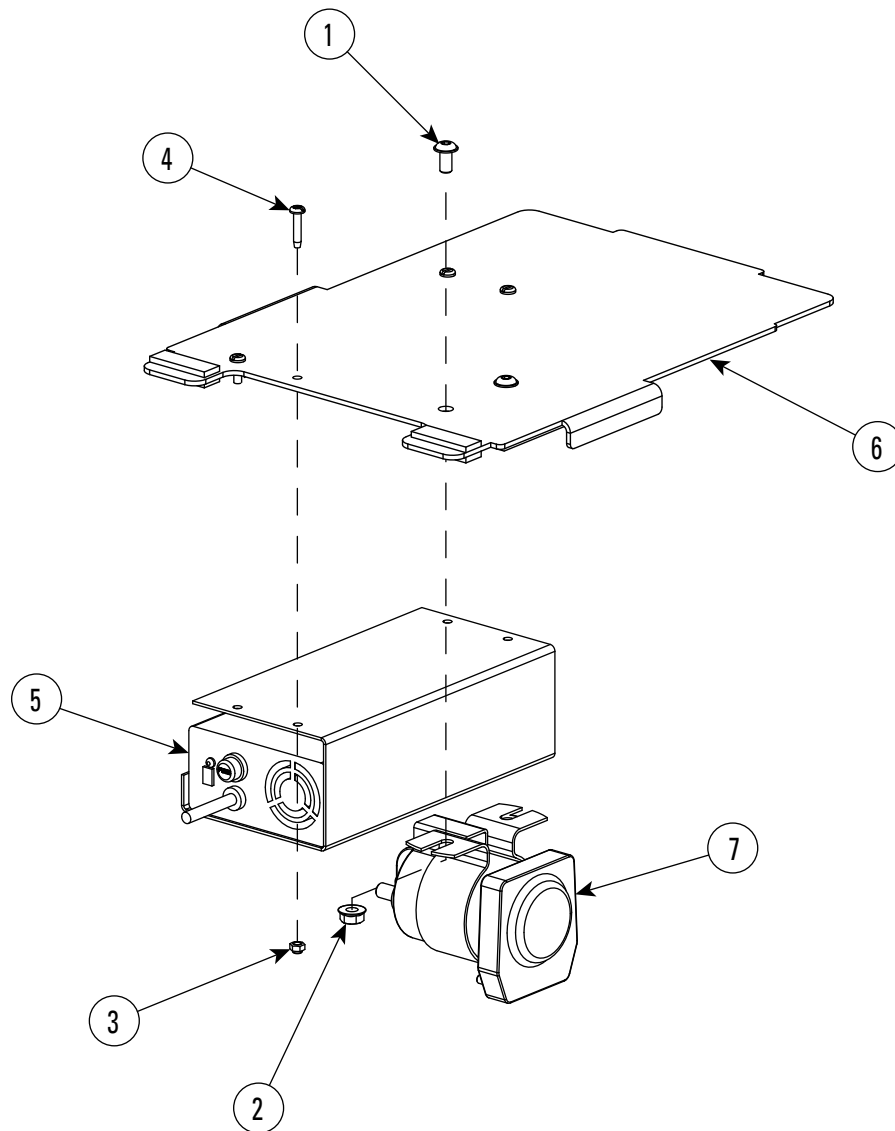
ENSEMBLE CHASSIS DE DROITE		
ARTICLE	N° DE LA PIÈCE	DESCRIPTION
1	40004	#10-24 x 5/8 PFHMS, McMASTER-CARR # 90471A315 ou EQUIVALENT
2	40077	DOUILLE HEXAGONALE À BRIDE BHCS 1/4"-20NC x 1" Lg, GRADE 2
3	40627	ECROU HEX 1/4"-20NC, PLAQUÉ
4	40779	RONDELLE DE FREIN À DENTS EXTERNES 1/4"
5	450957	CONTRE-ÉCROUS EN NYLON #8-32NC
6	40022	#8-32NC X 1/2" Lg PHMS
7	FA7958-4	INTERRUPTEUR DE DÉCONNEXION DC
8	FA966-8	SUPPORT DE MONTAGE DU PORTE-FUSIBLE
9	FA986-10	CHASSIS DE DROITE DU CABINET DE BATTERIE
10	FA975	PORTE-FUSIBLE
11	FA975-1	FUSIBLE DE 350 AMPÈRES
12	NP1030	PLAQUE SIGNALÉTIQUE DU BOUTON POUSSOIR
13	NP470	ÉTIQUETTE D'AVERTISSEMENT DE LOCALISATION DU MOTEUR
14	NP692	PLAQUE SIGNALÉTIQUE
	NP1066	PLAQUE SIGNALÉTIQUE
15	NP715	PLAQUE SIGNALÉTIQUE
16	P1483	ASSEMBLAGE DE L'INTERRUPTEUR DE LIMITE
17	NP1067	DÉCALQUE SHOCKWAVE

Détail du Shockwave



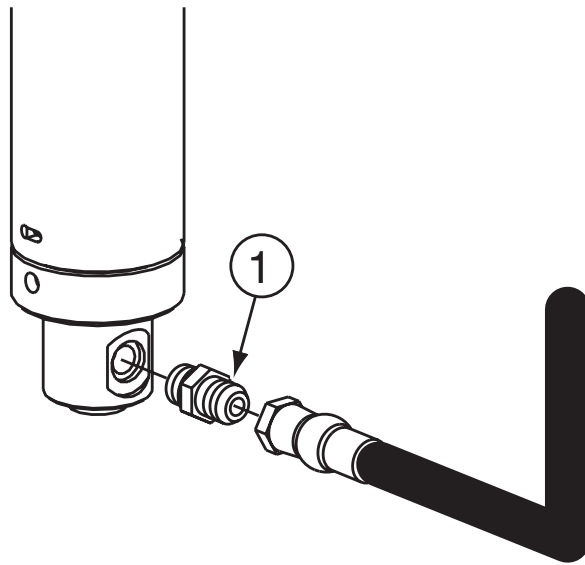
ASSEMBLAGE DU CHASSIS DE GAUCHE		
ARTICLE	N° DE LA PIÈCE	DESCRIPTION
1	41628	#4-40 CONTRE-ÉCROU AUTO FREINÉ EN NYLON MMC #90633A005
2	796443	#4-40 x 1/2 Lg. PHMS, PLAQUÉ
3	FA966-17	BOUCLIER ANTI-ÉCLABOUSSURES
4	FA966-18	RIVET DE TÊTE DE DÔME
5	FA966-21	ENTRETOISE
6	FA966-52	FORMATION DU CHASSIS DE GAUCHE DU CABINET DE BATTERIE
7	FA983	CORDON D'ALIMENTATION INTERNE DU CHARGEUR

Détail du Shockwave



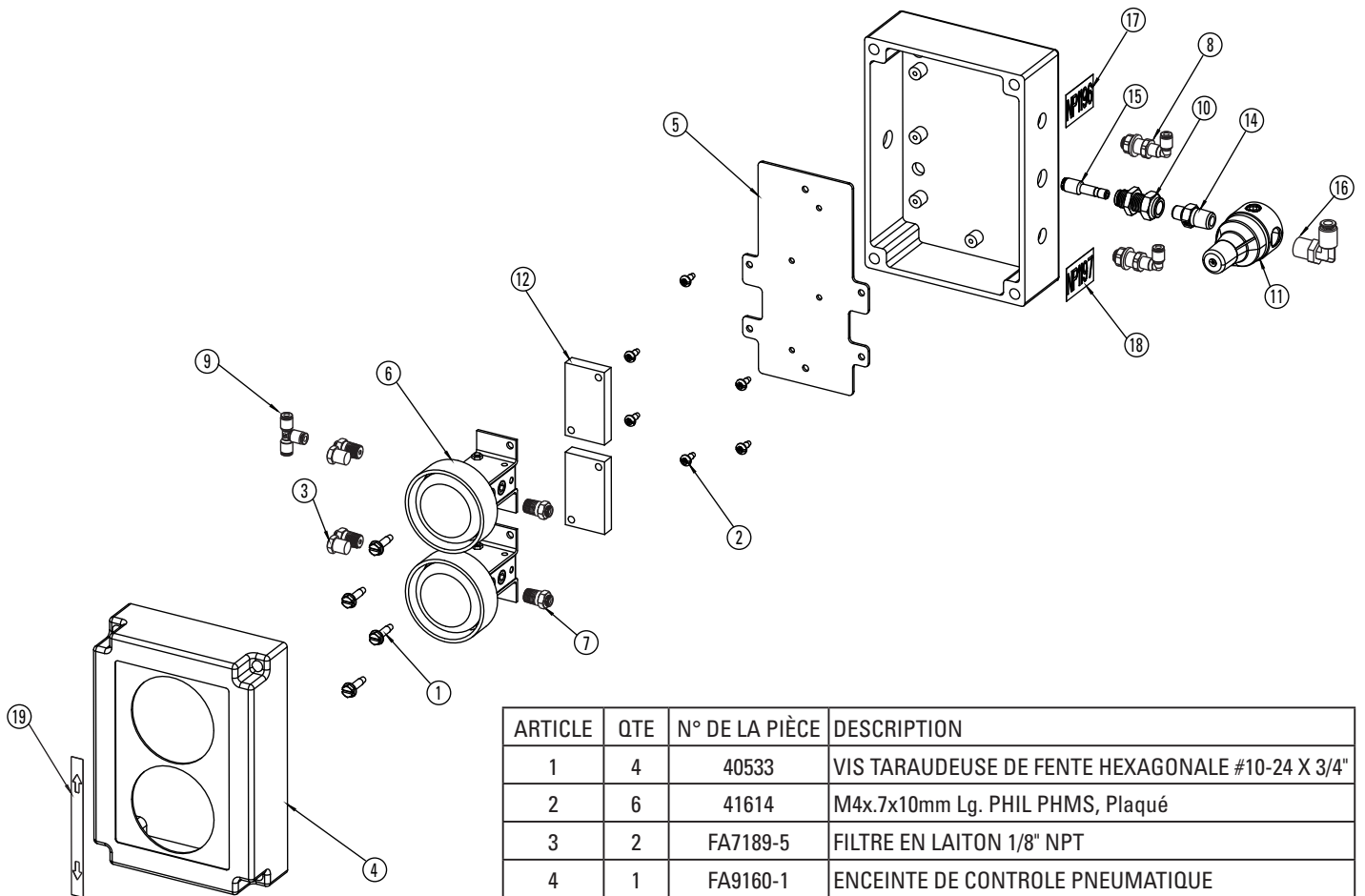
ASSEMBLAGE DE L'ÉTAGÈRE INFÉRIEURE		
ARTICLE	N° DE LA PIÈCE	DESCRIPTION
1	40094	DOUILLE HEXAGONALE À BRIDE BHCS 1/4"-20NC x 1/2"
2	40641	ÉCROU À BRIDE HEXAGONALE WZLOCK 1/4"-20NC, PLAQUÉ
3	450957	CONTRE-ÉCROU EN NYLON #8-32NC
4	40022	#8-32NC x 1/2" LG. PHMS
5	FA966-62	ENSEMBLE CHARGEUR 24V 8A
6	FA966-58	SOUDURE D'ÉTAGÈRE DU CABINET DE BATTERIE
7	FA976	CONTACTEUR DC

Détail de l'adaptateur du tuyau du cylindre



ARTICLE DESCRIPTION	PIÈCE#
1. Adaptateur droit.....	FJ7352-3

Panneau de commande pneumatique



ARTICLE	QTE	N° DE LA PIÈCE	DESCRIPTION
1	4	40533	VIS TARAUEUSE DE FENTE HEXAGONALE #10-24 X 3/4"
2	6	41614	M4x.7x10mm Lg. PHIL PHMS, Plaqué
3	2	FA7189-5	FILTRE EN LAITON 1/8" NPT
4	1	FA9160-1	ENCEINTE DE CONTROLE PNEUMATIQUE
5	1	FA9160-2	PLAQUE ARRIÈRE DE LA COMMANDE PNEUMATIQUE
6	2	FA9160-3	ACTIONNEUR PNEUMATIQUE À TOUCHE LÉGÈRE
7	4	FC67-97	RACCORD DROIT 5/32" TUBE À 1/8" NPTF (MÂLE)
8	2	FA9160-14	COUDE PIVOTANT POUR RACCORD DE PLAFOND INCLINÉ POUR TUBE DE 5/32"
9	1	450932	RACCORD EN T POUR POUSSE-VERROU DE 5/32"
10	1	FA7189-4	ADAPTEUR TRAVERSANT LA PAROI CLOISON 1/8" NPTF (F) À UN TUBE DE 1/4"
11	1	FA9160-9	RÉGULATEUR DE PRESSION NON AJUSTABLE (40 PSI)
12	2	FA9160-10	ENTRETOISE
13	1	FA9160-15	5/32" O.D. TUBE D'AIR
14	1	FA9160-12	RACCORD HEXAGONAL 1/8" NPTF(M) À 1/4" NPTF(M)
15	1	FA793-6	RÉDUCTEUR D'EXTRÉMITÉ DE TUBE DE 1/4" À 5/32"
16	1	FC5341-90	RACCORDEMENT COUDÉ MÂLE
17	1	NP1196	PLAQUE SIGNALÉTIQUE DE SORTIE D'AIR (MONTANT)
18	1	NP1197	PLAQUE SIGNALÉTIQUE DE SORTIE D'AIR (DESCENDANT)
19	1	NP1200	PLAQUE SIGNALÉTIQUE DES FLÈCHES DIRECTIONNELLES

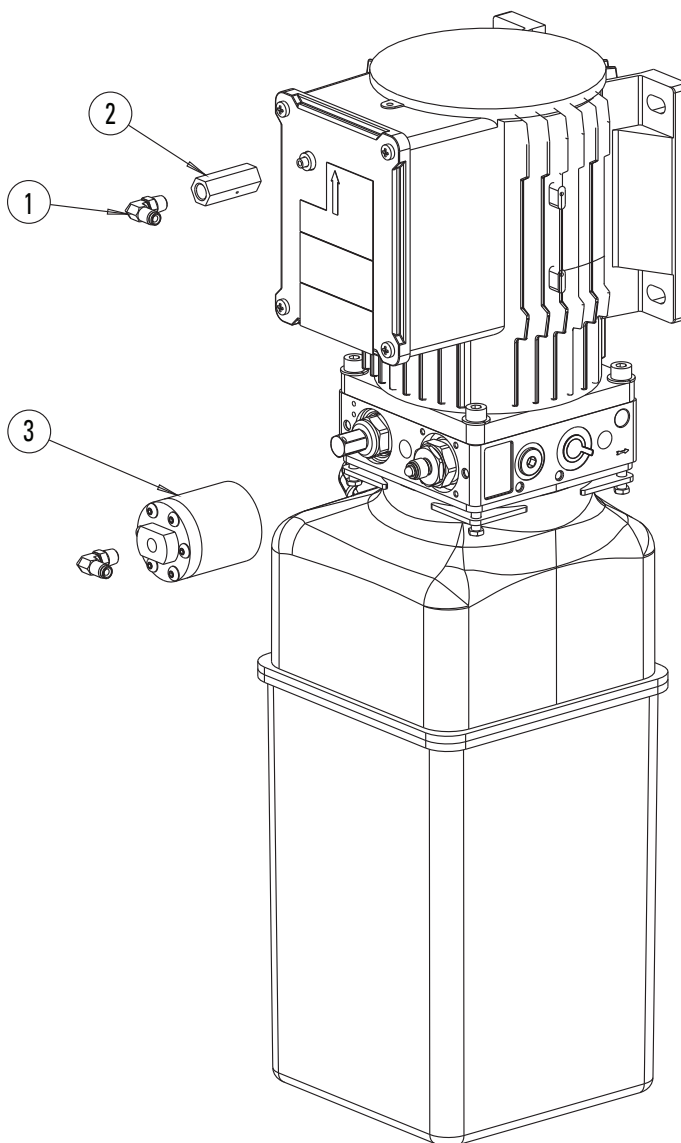
Remarque : FA9160-15 pas montré

Unité de puissance à utiliser avec le panneau de commande pneumatique

Modèle 60 Hz - P3666

Modèle 50 Hz - P3667

Remarque : P3666 et P3667 sont identiques à la norme d'unité de puissance monophasée, sauf pour l'ajout de T140245 et FA9161.



ARTICLE	QTE	N° DE LA PIÈCE	DESCRIPTION
1	2	FA793-3	COUDE PIVOTANT 1/8" NPTF (MÂLE) À UN TUBE 5/32"
23	1	FA9161	INTERRUPTEUR D'AIR À ÉLECTRIQUE
	1	T140245	ACTIONNEUR PNEUMATIQUE

Remarques

Rotary World Headquarters

2700 Lanier Drive
Madison, IN 47250, USA
www.rotarylif.com

North America Contact Information

Tech. Support:
p 800.445.5438
f 800.578.5438
e userlink@rotarylif.com
Sales:
p 800.640.5438
f 800.578.5438
e userlink@rotarylif.com

World Wide Contact Information

World Headquarters/USA: 1.812.273.1622
Canada: 1.905.812.9920
European Headquarters/Germany: +49.771.9233.0
United Kingdom: +44.178.747.7711
Australasia: +60.3.7660.0285
Latin America / Caribbean: +54.3488.431.608
Middle East / Northern Africa: +49.771.9233.0

© Vehicle Service GroupSM

Imprimé aux É.U., Tous droits réservés. À moins d'indications contraires, ROTARY, et toutes les autres marques sont la propriété de Dover Corporation et de ses filiales.

